

BALDOR® • RELIANCE

Product Information Packet

ELECTRIC MOTOR WHOLESAL.COM

EM4100T-G

15HP,1175RPM,3PH,60HZ,284T,1046M,TEFC,F1

| Part Detail | | | | | | | |
|-------------|------|-------------|-------|----------------|----------|---------------|------------|
| Revision: | C | Status: | PRD/A | Change #: | | Proprietary: | No |
| Type: | AC | Prod. Type: | 1046M | Elec. Spec: | 10WGY561 | CD Diagram: | |
| Enclosure: | TEFC | Mfg Plant: | | Mech. Spec: | 10H279 | Layout: | |
| Frame: | 284T | Mounting: | F1 | Poles: | 06 | Created Date: | 11-29-2011 |
| Base: | RG | Rotation: | R | Insulation: | H | Eff. Date: | 02-01-2013 |
| Leads: | 9#10 | Literature: | | Elec. Diagram: | | Replaced By: | |

Nameplate NP2138L

| | | | | | | | |
|--------------|--------------|----------------|------------|-------------------------|------|--------|------|
| CAT.NO. | EM4100T-G | P/N | | ENCLOSURE | TEFC | | |
| SPEC. | 10H279Y561G1 | CC | 010A | FRAME | 284T | S/N | |
| HP | 15 | CLASS | H | HZ | 60 | | |
| RPM | 1175 | PH | 3 | DES | A | | |
| VOLT | 230/460 | KVA-CODE | H | ODE BRG | 6309 | DE BRG | 6311 |
| AMP | 42/21 | USABLE AT 208V | 42 | | | | |
| RATING | 40C AMB-CONT | GREASE | POLYREX EM | | | | |
| NEMA-NOM-EFF | 91.7 | PF | 73 | SER.F. | 1.15 | | |
| | | | | | | | |
| HTR-VOLTS | | HTR-AMPS | | MAX. SPACE HEATER TEMP. | | | |

| Parts List | | |
|----------------|--|----------|
| Part Number | Description | Quantity |
| SA235022 | SA 10H279Y561G1 | 1.000 EA |
| RA221986 | RA 10H279Y561G1 | 1.000 EA |
| 09FN3001B02 | EXTERNAL FAN, PLASTIC | 1.000 EA |
| S/P107-000-004 | SUPER-E(284 FR. & UP)-CL PLANT,POLYREX E | 1.000 EA |
| 10CB3000SP | STD KO BOX MODEL 310,312,314 MTRS W/2.00 | 1.000 EA |
| 12GS1000SP | GASKET | 1.000 EA |
| 10XN3118K12 | 5/16-18 X .75 GRADE 5, ZINC PLATED | 4.000 EA |
| HW1001A31 | LOCKWASHER 5/16, ZINC PLT.591 OD, .319 I | 4.000 EA |
| BP5306 | SHAFT GRD BOLT THROUGH (SGR-67.2-3FH) | 1.000 EA |
| WD1000B16 | KPA-4C BURNDY TERMINAL | 1.000 EA |
| 51XF2520A08 | SCREW, HEX SER SLT HD, ZN 1/4-20 X .50 L | 1.000 EA |
| 10EP1106A01 | FR ENDPLATE, MACH | 1.000 EA |
| 10XN3816K32 | BOLT, 3/8-16X2 HH YZ(5) | 4.000 EA |
| HW1001A38 | LOCKWASHER 3/8, ZINC PLT .688 OD, .382 I | 4.000 EA |
| HA4017A01 | 1/8 X 4 GREASE EXT (F/S) | 1.000 EA |
| HW5100A11 | W3917-042 WVY WSHR (WB) | 1.000 EA |
| 10XN2520K32 | 1/4-20 X 2.00 HX HD SCRW GRADE 5, ZINC P | 2.000 EA |
| HW1001A25 | LOCKWASHER 1/4, ZINC PLT .493 OD, .255 I | 2.000 EA |
| 10EP1105A01 | PU ENDPLATE, MACH 284-6T | 1.000 EA |
| 10XN3816K28 | 3/8-16 X 1.75 HEX HD CAP SCREW, GRADE 5 | 4.000 EA |
| HW1001A38 | LOCKWASHER 3/8, ZINC PLT .688 OD, .382 I | 4.000 EA |
| 10XN3118K40 | 5/16-18 X 2.50" HEX HD, GRADE 5 | 4.000 EA |
| HW1001A31 | LOCKWASHER 5/16, ZINC PLT.591 OD, .319 I | 4.000 EA |
| HW4600B40 | V-RING SLINGER 2.000 X 2.680 X 0.280 | 1.000 EA |

| Parts List (continued) | | |
|------------------------|--|----------|
| Part Number | Description | Quantity |
| 10FH4000SP | 310 FAN HOUSING STAMPED | 1.000 EA |
| 10XN2520K08 | 1/4-20 X .50 GRADE #5, STL, ZINC PLATE | 4.000 EA |
| HW1001A25 | LOCKWASHER 1/4, ZINC PLT .493 OD, .255 I | 4.000 EA |
| 10CB3500SP | CONDUIT BOX LID, CAST | 1.000 EA |
| 10GS1000SP | GASKET, CONDUIT BOX LID | 1.000 EA |
| 51XW2520A12 | .25-20 X .75, TAPTITE II, HEX WSHR SLTD | 4.000 EA |
| HW2501H28 | KEY, 1/2 SQ X 3.250 | 1.000 EA |
| LB5040 | INSTRUCTION TAG, AC & DC | 1.000 EA |
| LB1115 | LABEL,LIFTING DEVICE | 1.000 EA |
| HW4500A21 | 1618BALEMITE FITTING 825 UNIVERSAL | 1.000 EA |
| HW4500A17 | 317400 ALEMITE GREASE RELIEF | 1.000 EA |
| HA4001A01SP | DRAIN PLUG, PLASTIC (MICRO PLAS) | 1.000 EA |
| MJ1000A75 | GREASE, POLYREX EM EXXON | 0.130 LB |
| HW4500A03 | GREASE FITTING, .125 NPT 1610(ALEMITE) 8 | 1.000 EA |
| HW4500A17 | 317400 ALEMITE GREASE RELIEF | 1.000 EA |
| HA4001A01SP | DRAIN PLUG, PLASTIC (MICRO PLAS) | 1.000 EA |
| HW2500A25 | WOODRUFF KEY USA #1008 #BLOW CARBON STEE | 1.000 EA |
| 51XB1214A20 | 12-14X1.25 HXWSSLD SERTYB | 1.000 EA |
| MG1000Y03 | WILKO 689.710 GOLD PAINT SUPER E | 0.070 GA |
| 85XU0407A04 | #4-7 X 1/4 DRIVE PIN | 4.000 EA |
| LB1119 | WARNING LABEL | 1.000 EA |
| LB1125C02 | SUPER-E (STOCK CTN LABEL SUPER-E WITH FL | 4.000 EA |
| LC0181 | CONNECTION LABEL | 1.000 EA |
| NP2138L | ALUM SUPER-E UL CSA-EEV PREM CC (300 | 1.000 EA |

| Parts List (continued) | | |
|------------------------|--|----------|
| Part Number | Description | Quantity |
| 10PA1000 | PACKAGING GROUP COMBINED PRINT PK1023A06 | 1.000 EA |
| LB1506 | LABEL "AMERICAN MADE" 1.50 X 1.00 | 1.000 EA |

Performance Data at 460V, 60Hz, 15.0HP (Typical performance - Not guaranteed values)

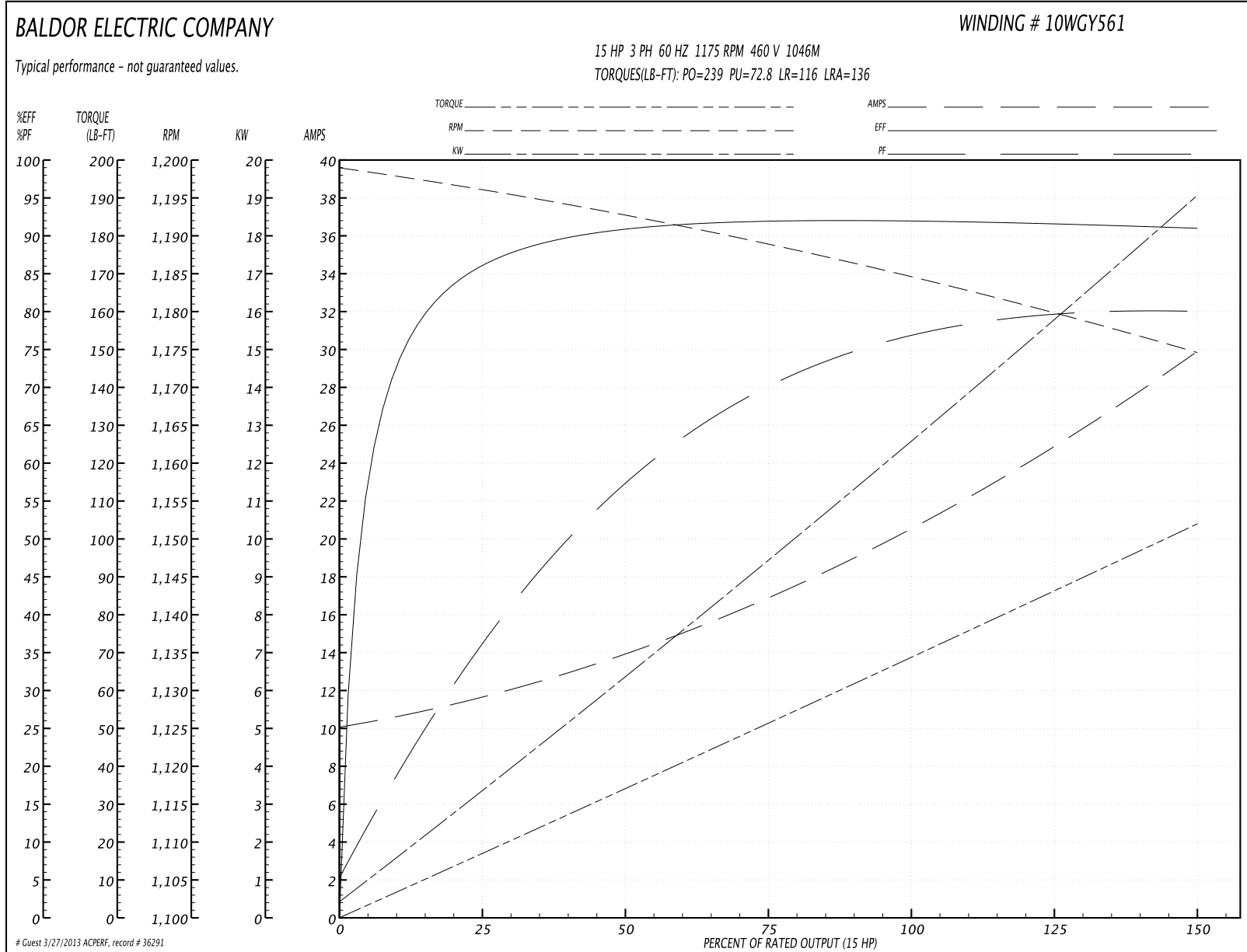
General Characteristics

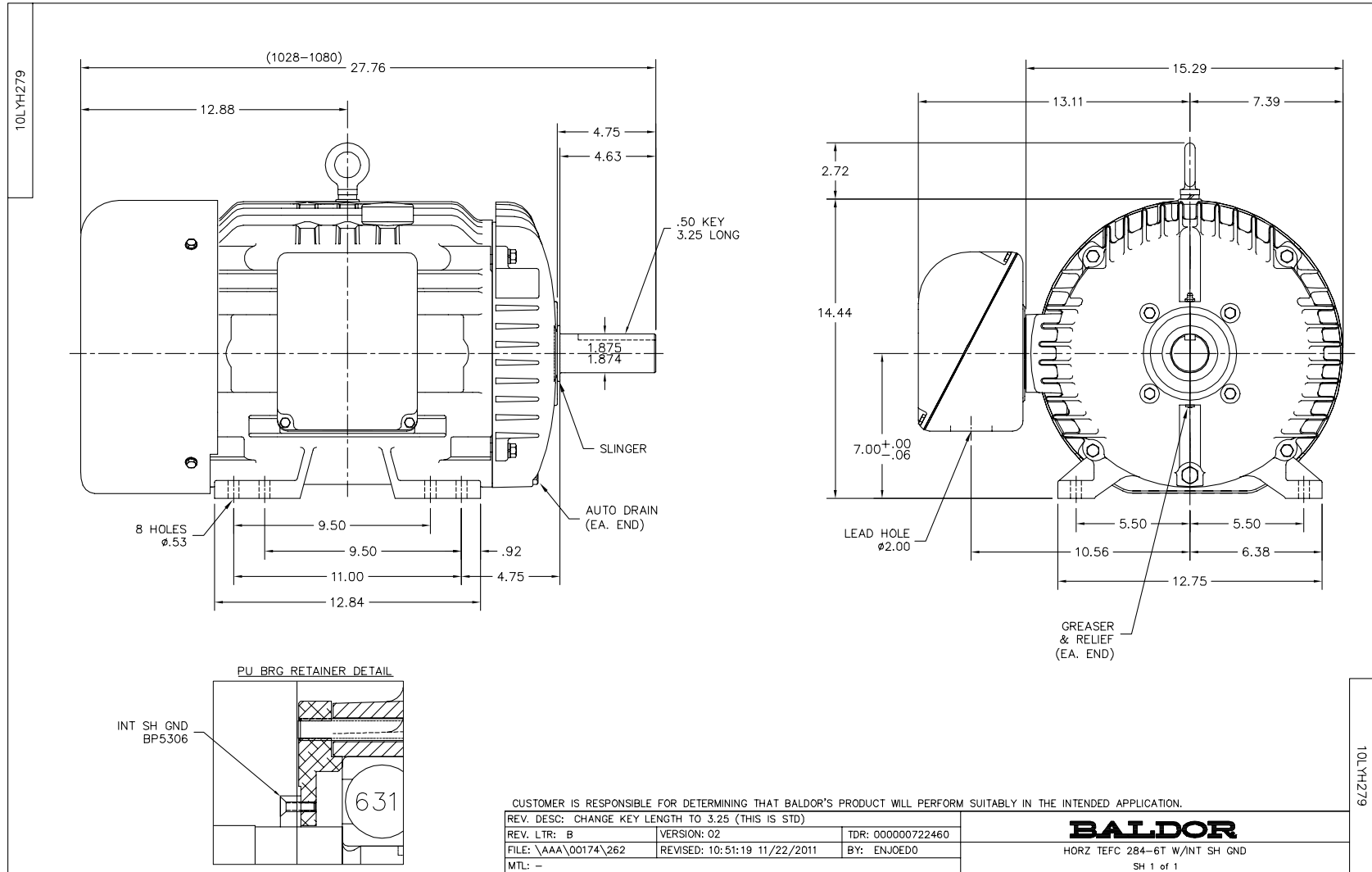
| | | | |
|--------------------------|-----------------------------------|----------------------|-------------|
| Full Load Torque: | 67.0 LB-FT | Start Configuration: | DOL |
| No-Load Current: | 10.3 Amps | Break-Down Torque: | 239.0 LB-FT |
| Line-line Res. @ 25°C.: | 0.50771 Ohms A Ph / 0.0 Ohms B Ph | Pull-Up Torque: | 72.8 LB-FT |
| Temp. Rise @ Rated Load: | 43 C | Locked-Rotor Torque: | 116.0 LB-FT |
| Temp. Rise @ S.F. Load: | 51 C | Starting Current: | 136.0 Amps |

Load Characteristics

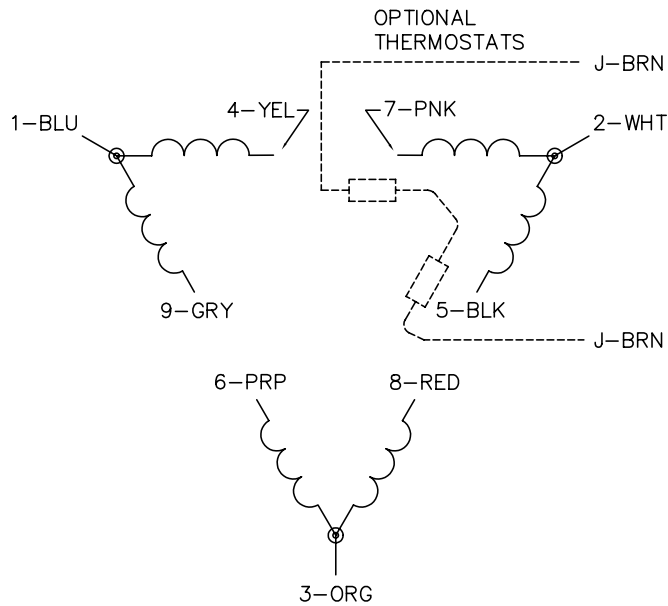
| % of Rated Load | 25 | 50 | 75 | 100 | 125 | 150 | S.F. |
|-----------------|--------|--------|--------|--------|--------|--------|--------|
| Power Factor: | 37.0 | 58.0 | 69.0 | 76.0 | 79.0 | 81.0 | 78.0 |
| Efficiency: | 86.7 | 91.5 | 92.6 | 92.6 | 92.2 | 91.3 | 92.4 |
| Speed: | 1196.3 | 1192.7 | 1189.2 | 1185.1 | 1180.6 | 1174.6 | 1182.0 |
| Line Amperes: | 11.4 | 13.6 | 16.7 | 20.3 | 24.4 | 29.7 | 22.8 |

Performance Graph at 460V, 60Hz, 15.0HP Typical performance - Not guaranteed values

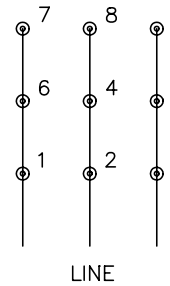




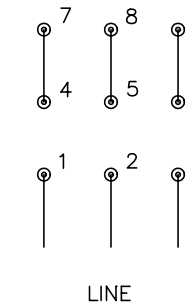
CD0180



LOW VOLTAGE
(2D)



HIGH VOLTAGE
(1D)



NOTES:

1. INTERCHANGE ANY TWO LINE LEADS TO REVERSE ROTATION.
2. OPTIONAL THERMOSTATS ARE PROVIDED WHEN SPECIFIED.
3. ACTUAL NUMBER OF INTERNAL PARALLEL CIRCUITS MAY BE A MULTIPLE OF THOSE SHOWN ABOVE.
4. LEAD COLORS ARE OPTIONAL. LEADS MUST ALWAYS BE NUMBERED AS SHOWN.

| | | | |
|---|---------|------------------------|--------------|
| REV. DESC: REVISE TO SHOW OPTIONAL COLORS | | | |
| REV. LTR: C | BY: JLP | REVISED: 01/21/99 2:28 | TDR: 0171435 |
| 0810D0 | | FILE: AAA00005148 | MDL: - |
| | | MTL: - | |

BALDOR ELECTRIC Co.

3PH, DV, 9 LEADS, DELTA CONNECTION

CD0180