

# **BALDOR**® • **RELIANCE**

## **Product Information Packet**

# **CESWDM3714T**

**10HP, 1770RPM, 3PH, 60HZ, 215TC, 3752M, TEFC, F**

Part Detail									
Revision:	B	Status:	PRD/A	Change #:		Proprietary:	No		
Type:	AC	Prod. Type:	3752M	Elec. Spec:	37WGS518	CD Diagram:			
Enclosure:	TEFC	Mfg Plant:		Mech. Spec:	37H888	Layout:			
Frame:	215TC	Mounting:	F1	Poles:	04	Created Date:	04-29-2010		
Base:	RG	Rotation:	R	Insulation:	F	Eff. Date:	12-17-2012		
Leads:	9#14	Literature:		Elec. Diagram:		Replaced By:			
Nameplate NP1669L									
CAT.NO.	CESWDM3714T								
SPEC.	37H888S518G1								
HP	10								
VOLTS	230/460								
AMP	24/12								
RPM	1770								
FRAME	215TC	HZ	60	PH	3				
SER.F.	1.15	CODE	K	DES	A	CLASS	F		
NEMA-NOM-EFF	91.7	PF	85						
RATING	40C AMB-CONT								
CC	010A	USABLE AT 208V							
DE	6307	ODE	6206						
ENCL	TEFC	SN							
BLANK									

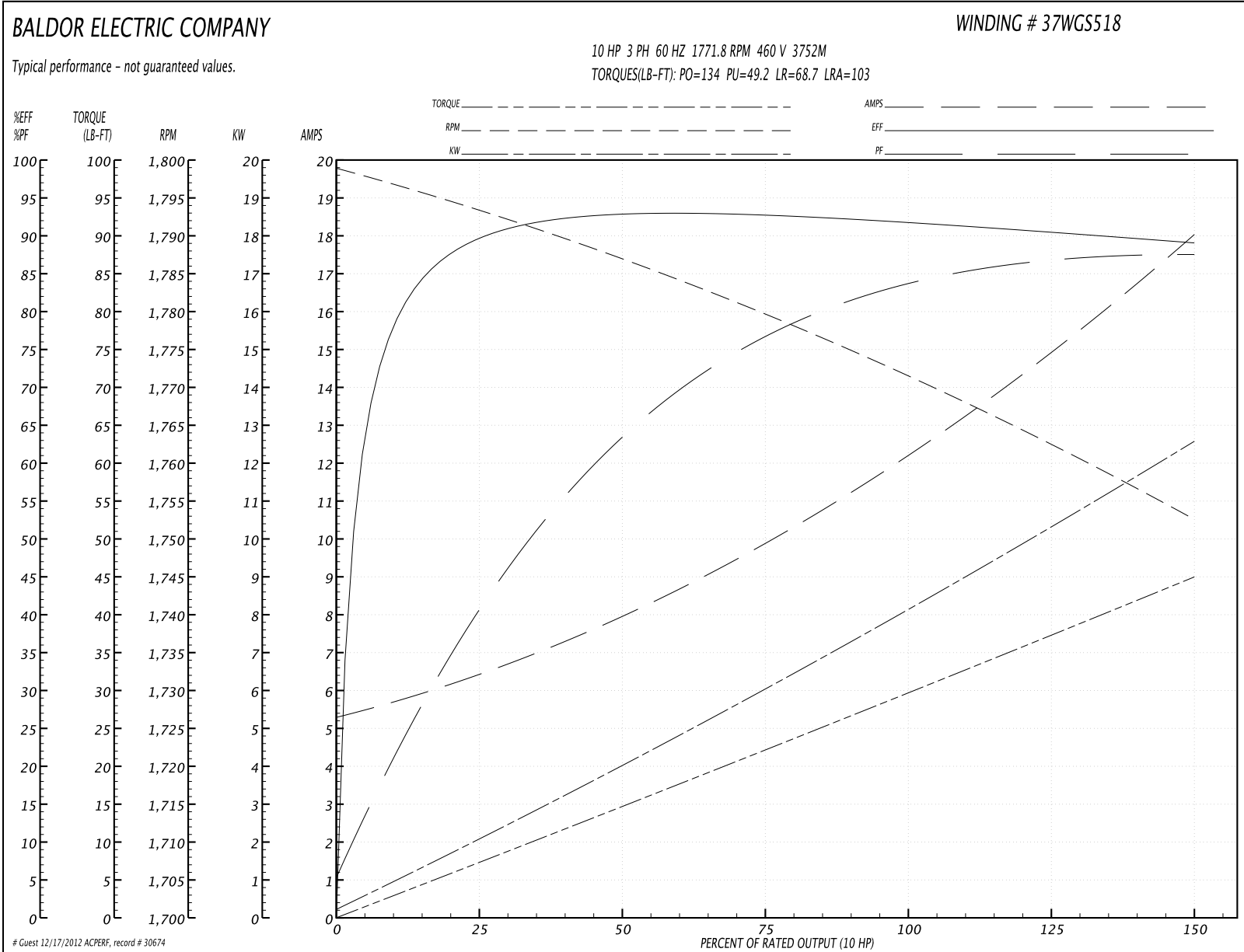
Parts List		
Part Number	Description	Quantity
SA194241	SA 37H888S518G1	1.000 EA
RA181829	RA 37H888S518G1	1.000 EA
37FN3002C01	EXFN, PLASTIC, 6.00 OD, 1.155 ID	1.000 EA
S/P107-000-001	SUPER E PROC'S-FS & WS PLTS-POLYREX EM G	1.000 EA
HW3200S01	EYEBOLT 3/8-16 X3/4 S.S. TDR #35988	1.000 EA
37CB3005A04MU	K.O. BOX-MODEL 37 .75 NPT LEAD	1.000 EA
37GS1015	GASKET, FOR 37 WD KOBX'S (SANTOPRENE)	1.000 EA
51XW2520A12	.25-20 X .75, TAPTITE II, HEX WSHR SLTD	2.000 EA
11XW1032G06	10-32 X .38, TAPTITE II, HEX WSHR SLTD U	1.000 EA
37EP3101A49MU	FR EP 37 L & M TEFC (FOR S.P. #9D)	1.000 EA
HW4500A33	1/8 NPT STAINLESS,HOLO-KROME #13002,PRES	3.000 EA
HW5100A06	W2420-025 WVY WSHR (WB)	1.000 EA
37EP3300A25MU	FACE MT EP-ENCL-307 BRG-213TC-215TC NO G	1.000 EA
HW4500A33	1/8 NPT STAINLESS,HOLO-KROME #13002,PRES	3.000 EA
HW4606A04	JM CLIPPER/SEAL (LWE-1376-2125-AL45)	1.000 EA
10XN2520S30	1/4-20 X 1 7/8 HEX HEAD SS	4.000 EA
XY3118S12	5/16-18 HEX NUT, STAINLESS STEEL	4.000 EA
51XB1214A20	12-14X1.25 HXWSSLD SERTYB	1.000 EA
37FH4000A45	STAINLESS FAN COVER, NO GREASER SLOT (FO	1.000 EA
11XW1032S06	10-32 X .38, TAPTITE II, HEX WSHR SLTD U	3.000 EA
37CB4514	37 CB LID	1.000 EA
37GS1008A02	37 GS FOR CB LID - WHITE NEOPRENE	1.000 EA
59XW0832S07	TAPTITE II,HEX WSHR UNSLTD SER,410 S.S.,	4.000 EA
HA1005A02SP	SLINGER, OD 2.00, ID 1.14, 206 BRG,	1.000 EA

Parts List (continued)		
Part Number	Description	Quantity
HW2502F21	#303 SS,SQ KEY 5/16 X 2.375	1.000 EA
HA7000A02	KEY RETAINER RING, 1 1/8 DIA, 1 3/8 DIA	1.000 EA
MJ5001A02	732 CL SEALANT 3 OZ DIXIE BEARING 289100	0.001 EA
MJ5001A05	CHEM-CALK 900 WHITE #75 BOSTICK CONSTRU	0.001 EA
85XU0407S04	4X1/4 U DRIVE PIN STAINLESS	2.000 EA
LB1115	LABEL,LIFTING DEVICE	1.000 EA
LB1164	LABEL,WARNING AND DRAIN	1.000 EA
MJ1000A75	GREASE, POLYREX EM EXXON	0.050 LB
HA3104S25	THRUBOLT-5/16-18X14.75 SS	4.000 EA
LB1125C02	SUPER-E (STOCK CTN LABEL SUPER-E WITH FL	1.000 EA
LB1357	ENERGY GUIDE LABEL (BOX LABEL)	1.000 SH
LC0005	CONN.DIA.,TY M,9-LD,DUAL VOLT,REVERSING	1.000 EA
NP1669L	SS WD SUPER-E UL CSA-EEV PREM REV MTG	1.000 EA
37PA1052	PACKAGING GROUP, 150 LB MTR 2 X 4 RUNNER	1.000 EA

**Performance Data at 460V, 60Hz, 10.0HP (Typical performance - Not guaranteed values)**

General Characteristics							
Full Load Torque:	29.5 LB-FT			Start Configuration:	DOL		
No-Load Current:	5.49 Amps			Break-Down Torque:	134.0 LB-FT		
Line-line Res. @ 25°C.:	0.93503 Ohms A Ph / 0.0 Ohms B Ph			Pull-Up Torque:	49.2 LB-FT		
Temp. Rise @ Rated Load:	63 C			Locked-Rotor Torque:	68.7 LB-FT		
Temp. Rise @ S.F. Load:	81 C			Starting Current:	103.0 Amps		
Load Characteristics							
% of Rated Load	25	50	75	100	125	150	S.F.
Power Factor:	42.0	66.0	79.0	85.0	84.0	87.0	84.0
Efficiency:	88.9	92.1	92.4	91.8	90.3	89.0	90.9
Speed:	1793.9	1786.8	1779.7	1771.8	1762.7	1752.5	1766.0
Line Amperes:	6.14	7.8	9.9	12.3	15.0	17.9	13.9

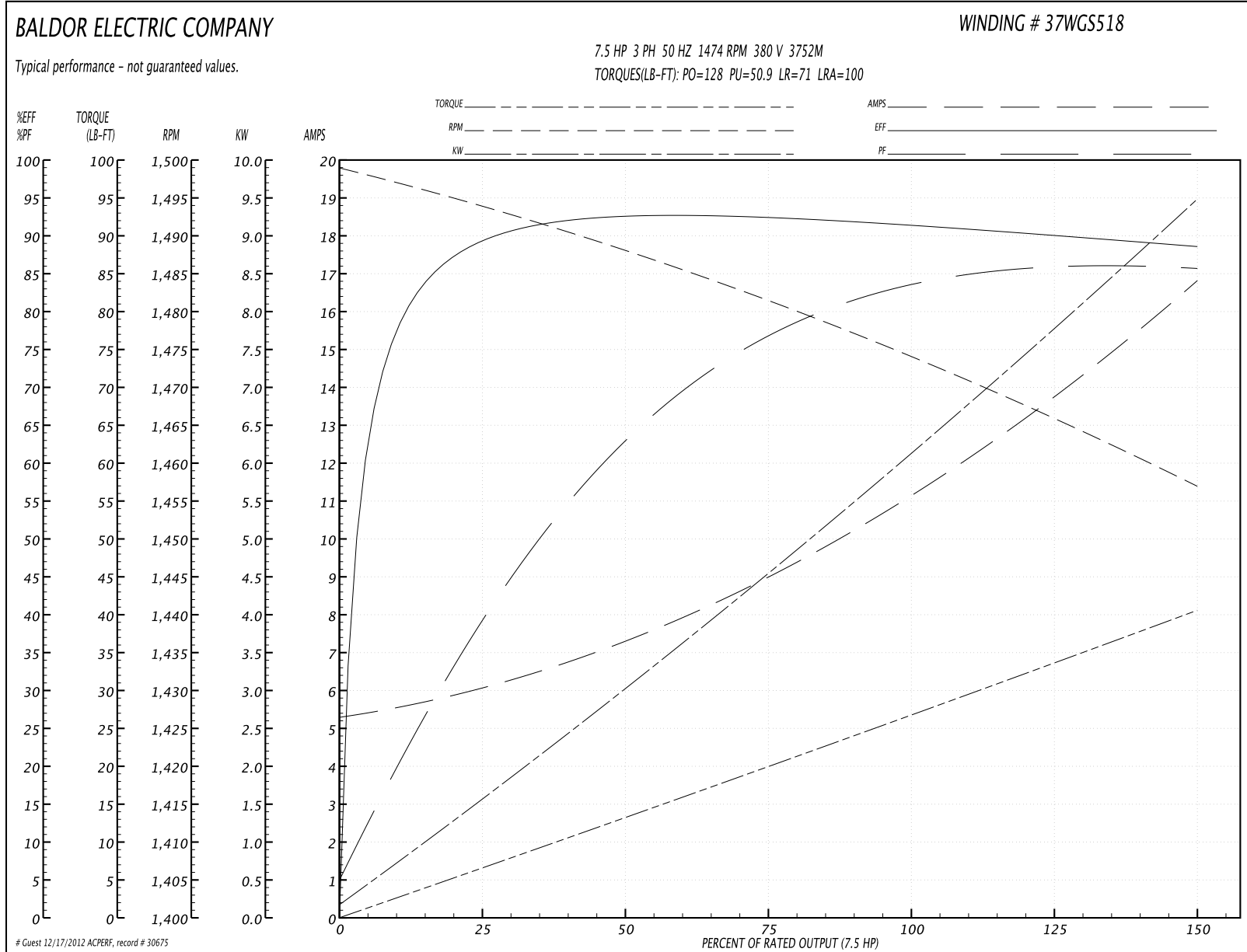
Performance Graph at 460V, 60Hz, 10.0HP Typical performance - Not guaranteed values



**Performance Data at 380V, 50Hz, 7.5HP (Typical performance - Not guaranteed values)**

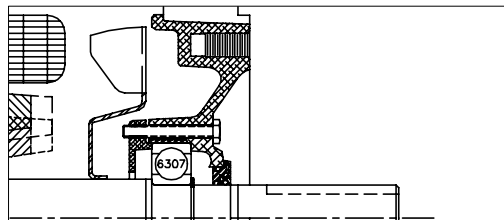
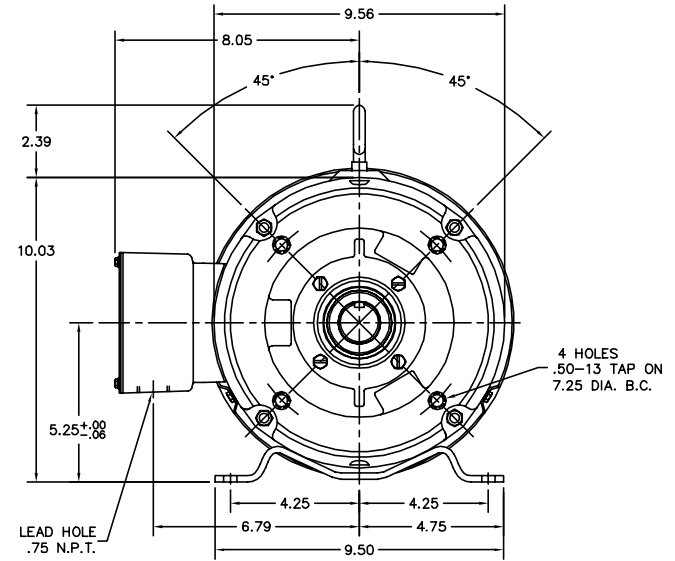
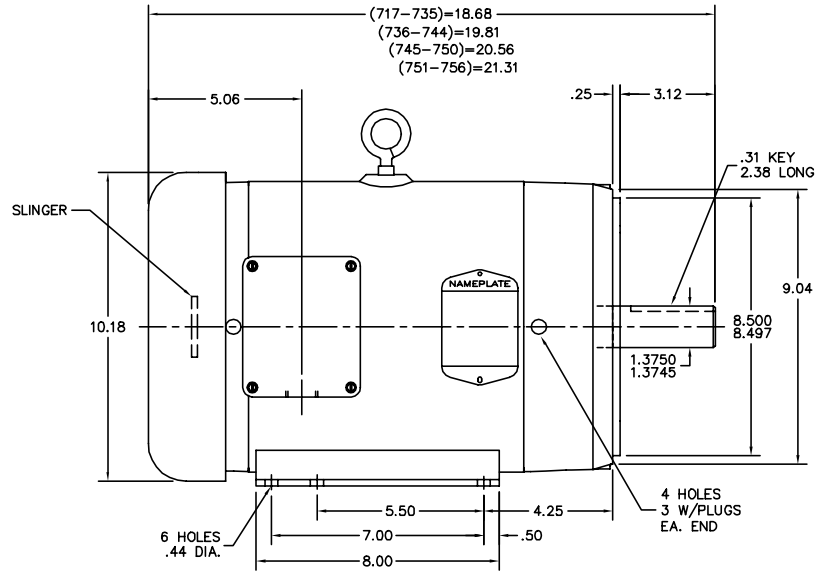
General Characteristics							
Full Load Torque:	26.6 LB-FT			Start Configuration:	DOL		
No-Load Current:	5.4 Amps			Break-Down Torque:	128.0 LB-FT		
Line-line Res. @ 25°C.:	0.912 Ohms A Ph / 0.0 Ohms B Ph			Pull-Up Torque:	50.9 LB-FT		
Temp. Rise @ Rated Load:	56 C			Locked-Rotor Torque:	71.0 LB-FT		
Temp. Rise @ S.F. Load:	68 C			Starting Current:	100.0 Amps		
Load Characteristics							
% of Rated Load	25	50	75	100	125	150	S.F.
Power Factor:	40.0	63.0	77.0	84.0	83.0	87.0	83.0
Efficiency:	88.0	92.3	92.3	91.7	90.3	88.4	90.9
Speed:	1494.0	1488.0	1482.0	1474.0	1466.0	1457.0	1469.0
Line Amperes:	5.93	7.22	8.93	11.0	14.1	16.6	12.9

Performance Graph at 380V, 50Hz, 7.5HP Typical performance - Not guaranteed values





37LYH888



PULLEY END SECTION

CUSTOMER IS RESPONSIBLE FOR DETERMINING THAT MOTOR PERFORMANCE IS SUITABLE IN THE APPLICATION.

REV. DESC: ADDED DRAIN PLUGS		
REV. LTR: B	VERSION: 02	TDR: 000000374458
FILE: \AAA\00093\300	REVISED: 14:20:48 08/26/2005	BY: ENKENTO
MTL: -		

**BALDOR ELECTRIC Co.**

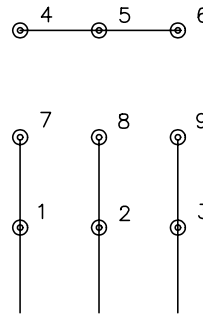
STD HORZ 213-5TC TEFC 37M WD2 (PAINT FREE)

37LYH888

CD0005



LOW VOLTAGE  
(2Y)



LINE

HIGH VOLTAGE  
(1Y)



LINE

NOTES:

1. INTERCHANGE ANY TWO LINE LEADS TO REVERSE ROTATION.
2. OPTIONAL THERMOSTATS ARE PROVIDED WHEN SPECIFIED.
3. ACTUAL NUMBER OF INTERNAL PARALLEL CIRCUITS MAY BE A MULTIPLE OF THOSE SHOWN ABOVE.
4. LEAD COLORS ARE OPTIONAL. LEADS MUST ALWAYS BE NUMBERED AS SHOWN.

REV. DESC: REVISE TO SHOW OPTIONAL COLORS

REV. LTR: E BY: JLP

REVISED: 01/19/99 10:15

TDR: 0171435

90000

FILE: AAA00005140

MDL: -

MTL: -

**BALDOR ELECTRIC Co.**

3PH, DV, 9 LEADS

CD0005