

BALDOR® • RELIANCE

Product Information Packet

ELECTRIC MOTOR WHOLESAL.COM

EM4115T

50HP,1775RPM,3PH,60HZ,326T,1272M,TEFC,F1

Part Detail									
Revision:	D	Status:	PRD/A	Change #:		Proprietary:	No		
Type:	AC	Prod. Type:	1272M	Elec. Spec:	12WGY141	CD Diagram:			
Enclosure:	TEFC	Mfg Plant:		Mech. Spec:	12H13	Layout:			
Frame:	326T	Mounting:	F1	Poles:	04	Created Date:	05-17-2010		
Base:	RG	Rotation:	R	Insulation:	F	Eff. Date:	04-18-2011		
Leads:	9#8	Literature:		Elec. Diagram:		Replaced By:			
Nameplate NP2138L									
CAT.NO.	EM4115T	P/N		ENCLOSURE			TEFC		
SPEC.	12H013Y141G1	CC	010A	FRAME			326T	S/N	
HP	50	CLASS	F	HZ			60		
RPM	1775	PH	3	DES			A		
VOLT	208-230/460	KVA-CODE	G	ODE BRG			6311	DE BRG	6312
AMP	128-116/58	USABLE AT 208V							
RATING	40C AMB-CONT	GREASE	POLYREX EM						
NEMA-NOM-EFF	94.5	PF	85	SER.F.			1.15		
HTR-VOLTS		HTR-AMPS		MAX. SPACE HEATER TEMP.					

Parts List		
Part Number	Description	Quantity
SA196017	SA 12H013Y141G1	1.000 EA
RA183432	RA 12H013Y141G1	1.000 EA
09FN3001B03SP	EXTERNAL FAN, PLASTIC	1.000 EA
S/P107-000-004	SUPER-E(284 FR. & UP)-CL PLANT,POLYREX E	1.000 EA
10CB3001	CONDUIT BOX CAST W/2.500 LEAD HOLE	1.000 EA
12GS1000SP	GASKET	1.000 EA
10XN3118K12	5/16-18 X .75 GRADE 5, ZINC PLATED	4.000 EA
HW1001A31	LOCKWASHER 5/16, ZINC PLT.591 OD, .319 I	4.000 EA
WD1000B16	KPA-4C BURNDY TERMINAL	1.000 EA
51XF2520A08	SCREW, HEX SER SLT HD, ZN 1/4-20 X .50 L	1.000 EA
12EP1107A05	FR ENDPLATE, MACH 324-6T	1.000 EA
HA3400A13SP	STUD, 1/2-13 X 7" WELKER	4.000 EA
HW1001A50	LOCKWASHER 1/2, ZINC PLT,.879 OD, .509 I	4.000 EA
HW4600B41	V-RING SLINGER 2.125 X 2.880 X 0.280	1.000 EA
HW5100A13	W4627-047 WVY WSHR	1.000 EA
12EP1106A01	PU ENDPLATE, MACH 324-6T	1.000 EA
10XN3118K36	5/16-18 X 2.25" HEX HD, GRADE 5	2.000 EA
HW1001A31	LOCKWASHER 5/16, ZINC PLT.591 OD, .319 I	2.000 EA
10XN3118K40	5/16-18 X 2.50" HEX HD, GRADE 5	4.000 EA
HW1001A31	LOCKWASHER 5/16, ZINC PLT.591 OD, .319 I	4.000 EA
10XN5013K28	1/2-13 X 1.75 HEX HEAD MACH SCREW,GRAD	4.000 EA
HW1001A50	LOCKWASHER 1/2, ZINC PLT,.879 OD, .509 I	4.000 EA
12FH1002SP	FAN COVER, CAST QF,WAUPACA QUALITY	1.000 EA
XY5013A12	NUT,1/2-13,HEX,STEEL,ZINCPLATED	4.000 EA

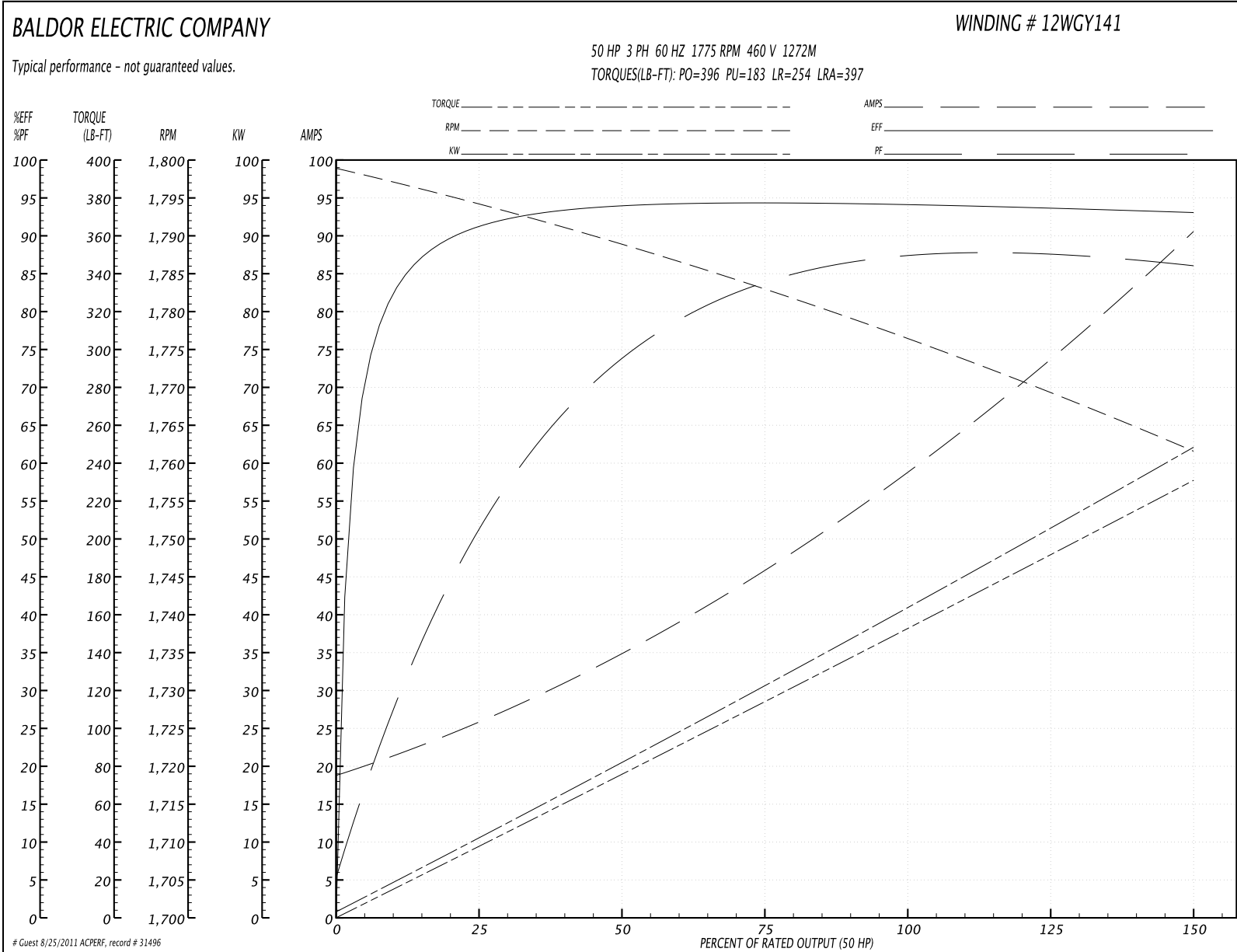
Parts List (continued)		
Part Number	Description	Quantity
HW1001A50	LOCKWASHER 1/2, ZINC PLT.,879 OD, .509 I	4.000 EA
10CB3500SP	CONDUIT BOX LID, CAST	1.000 EA
10GS1000SP	GASKET, CONDUIT BOX LID	1.000 EA
51XW2520A12	.25-20 X .75, TAPTITE II, HEX WSHR SLTD	4.000 EA
HW2501H33	KEY, 1/2 SQ X 3.875	1.000 EA
LB1115	LABEL,LIFTING DEVICE	1.000 EA
LB5040	INSTRUCTION TAG, AC & DC	1.000 EA
HW4500A21	1618BALEMITE FITTING 825 UNIVERSAL	1.000 EA
HA4017A01	1/8 X 4 GREASE EXT (F/S)	1.000 EA
HW4500A17	317400 ALEMITE GREASE RELIEF	1.000 EA
HA4001A01SP	DRAIN PLUG, PLASTIC (MICRO PLAS)	1.000 EA
HA4051A00	PLASTIC CAP FOR GREASE FITTING	1.000 EA
MJ1000A75	GREASE, POLYREX EM EXXON	0.200 LB
HW4500A03	GREASE FITTING, .125 NPT 1610(ALEMITE) 8	1.000 EA
HW4500A17	317400 ALEMITE GREASE RELIEF	1.000 EA
HA4001A01SP	DRAIN PLUG, PLASTIC (MICRO PLAS)	1.000 EA
HA4051A00	PLASTIC CAP FOR GREASE FITTING	1.000 EA
HW2500A25	WOODRUFF KEY USA #1008 #BLOW CARBON STEE	1.000 EA
51XB1214A20	12-14X1.25 HXWSSLD SERTYB	1.000 EA
MG1000Y03	WILKO 689.710 GOLD PAINT SUPER E	0.080 GA
85XU0407A04	#4-7 X 1/4 DRIVE PIN	4.000 EA
LB1119	WARNING LABEL	1.000 EA
LB1125C02	SUPER-E (STOCK CTN LABEL SUPER-E WITH FL	4.000 EA
LB1357	ENERGY GUIDE LABEL (BOX LABEL)	1.000 SH

Parts List (continued)		
Part Number	Description	Quantity
LC0181	CONNECTION LABEL	1.000 EA
NP2138L	LARGE NP BALDOR SUPER-E LASER BLANK	1.000 EA
12PA1000	PACKAGING GROUP COMBINED PRINT PK1024A06	1.000 EA

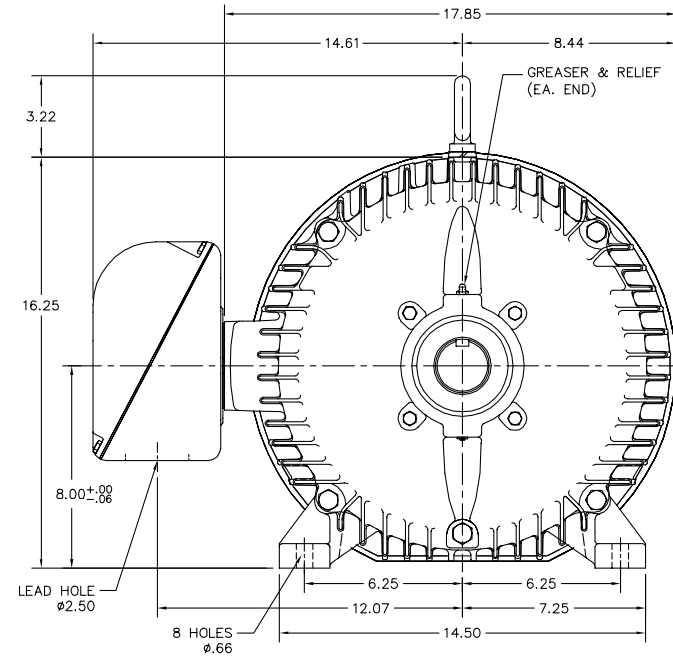
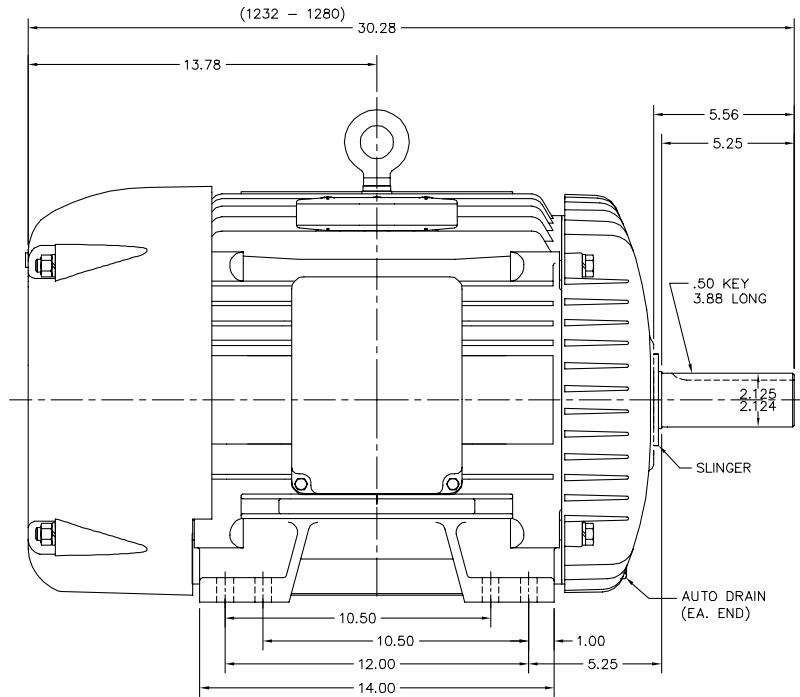
Accessories		
Part Number	Description	Multiplier
12-1105	C FACE KIT	A8
12EP1501A03SP	D-FLANGE KIT	A8

Performance Data at 460V, 60Hz, 50.0HP (Typical performance - Not guaranteed values)							
General Characteristics							
Full Load Torque:	147.0 LB-FT			Start Configuration:	DOL		
No-Load Current:	19.8 Amps			Break-Down Torque:	396.0 LB-FT		
Line-line Res. @ 25°C.:	0.10889 Ohms A Ph / 0.0 Ohms B Ph			Pull-Up Torque:	183.0 LB-FT		
Temp. Rise @ Rated Load:	64 C			Locked-Rotor Torque:	254.0 LB-FT		
Temp. Rise @ S.F. Load:	79 C			Starting Current:	397.0 Amps		
Load Characteristics							
% of Rated Load	25	50	75	100	125	150	S.F.
Power Factor:	53.0	74.0	83.0	86.0	87.0	87.0	87.0
Efficiency:	91.3	94.3	94.8	94.6	94.0	93.1	94.2
Speed:	1794.5	1789.3	1783.5	1777.5	1770.7	1761.5	1773.0
Line Amperes:	24.2	33.5	44.7	57.6	71.5	90.0	65.9

Performance Graph at 460V, 60Hz, 50.0HP Typical performance - Not guaranteed values



12LYH013



12LYH013

CUSTOMER IS RESPONSIBLE FOR DETERMINING THAT BALDOR'S PRODUCT WILL PERFORM SUITABLY IN THE INTENDED APPLICATION.

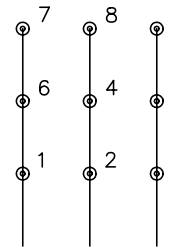
REV. DESC: REPLACED 12SF1109A01 WITH A1B	VERSION: 03	TDR: 000000498642
REV. LTR: G	REVISD: 01:34:38 05/01/2009	BY: ENGAMGO
FILE: \AAA\00011\066		
MTL: -		

BALDOR • DODGE • RELIANCE
 HORZ TEFC 324-6T; HI-EFF
 SH 1 of 1

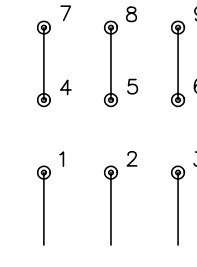
CD0180



LOW VOLTAGE
(2D)



HIGH VOLTAGE
(1D)



NOTES:

1. INTERCHANGE ANY TWO LINE LEADS TO REVERSE ROTATION.
2. OPTIONAL THERMOSTATS ARE PROVIDED WHEN SPECIFIED.
3. ACTUAL NUMBER OF INTERNAL PARALLEL CIRCUITS MAY BE A MULTIPLE OF THOSE SHOWN ABOVE.
4. LEAD COLORS ARE OPTIONAL. LEADS MUST ALWAYS BE NUMBERED AS SHOWN.

REV. DESC: REVISE TO SHOW OPTIONAL COLORS			
REV. LTR: C	BY: JLP	REVISED: 01/21/99 2:28	TDR: 0171435
0810D0		FILE: AAA00005148	MDL: -
		MTL: -	

BALDOR ELECTRIC Co.

3PH, DV, 9 LEADS, DELTA CONNECTION

CD0180