

# **BALDOR**® • **RELIANCE**

**Product Information Packet**

**ELECTRIC MOTOR WHOLESAL.COM**

**EM4111T**

**25HP,1180RPM,3PH,60HZ,324T,1072M,TEFC,F1**

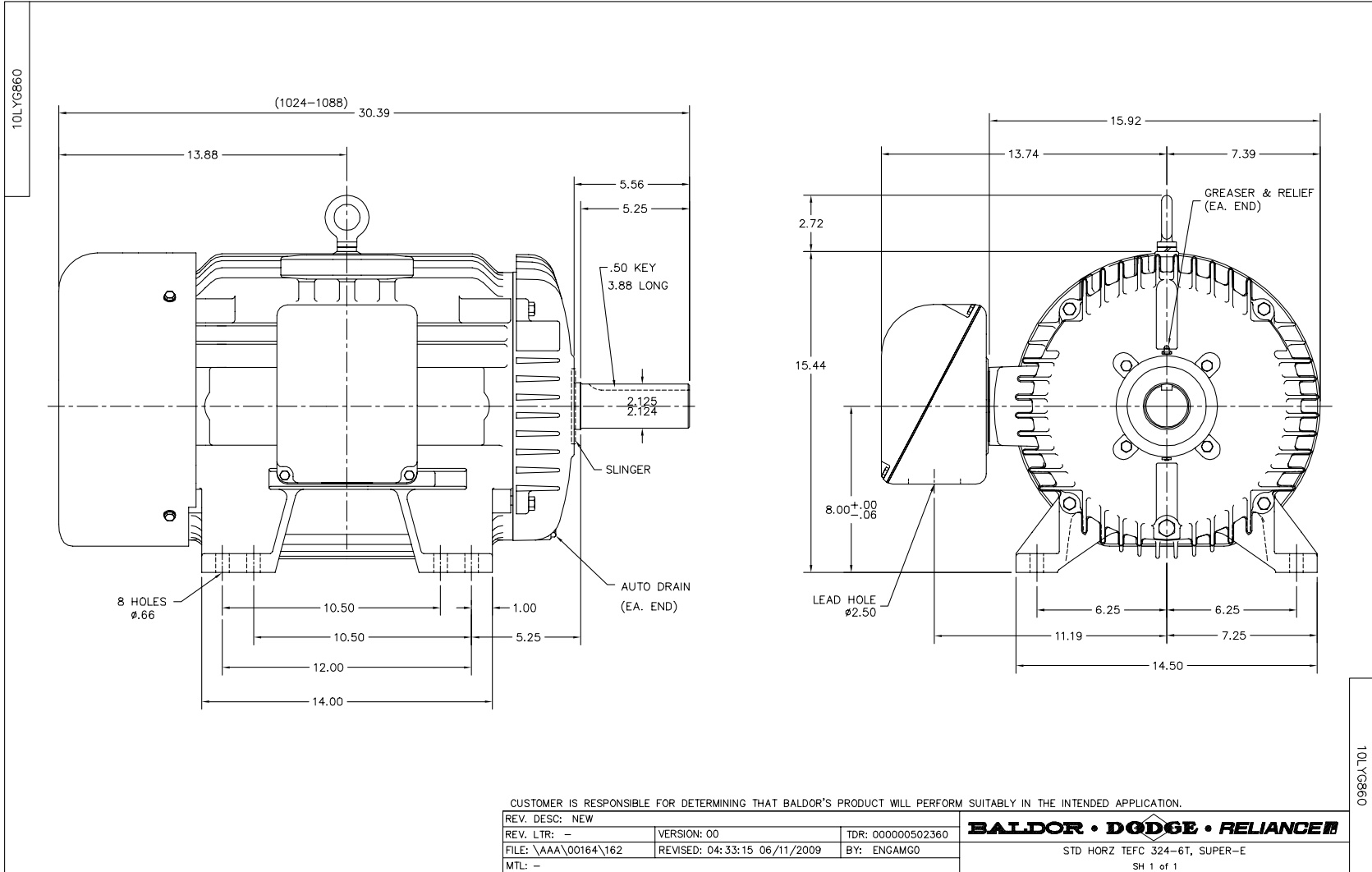
| Part Detail       |              |                |            |                         |          |               |            |  |  |
|-------------------|--------------|----------------|------------|-------------------------|----------|---------------|------------|--|--|
| Revision:         | C            | Status:        | PRD/A      | Change #:               |          | Proprietary:  | No         |  |  |
| Type:             | AC           | Prod. Type:    | 1072M      | Elec. Spec:             | 10WGX979 | CD Diagram:   |            |  |  |
| Enclosure:        | TEFC         | Mfg Plant:     |            | Mech. Spec:             | 10G860   | Layout:       |            |  |  |
| Frame:            | 324T         | Mounting:      | F1         | Poles:                  | 06       | Created Date: | 06-12-2009 |  |  |
| Base:             | RG           | Rotation:      | R          | Insulation:             | F        | Eff. Date:    | 06-09-2010 |  |  |
| Leads:            | 9#10         | Literature:    |            | Elec. Diagram:          |          | Replaced By:  |            |  |  |
| Nameplate NP2138L |              |                |            |                         |          |               |            |  |  |
| CAT.NO.           | EM4111T      | P/N            |            | ENCLOSURE               | TEFC     |               |            |  |  |
| SPEC.             | 10G860X979   | CC             | 010A       | FRAME                   | 324T     | S/N           |            |  |  |
| HP                | 25           | CLASS          | F          | HZ                      | 60       |               |            |  |  |
| RPM               | 1180         | PH             | 3          | DES                     | A        |               |            |  |  |
| VOLT              | 230/460      | KVA-CODE       | H          | ODE BRG                 | 6309     | DE BRG        | 6312       |  |  |
| AMP               | 64/32        | USABLE AT 208V | 70         |                         |          |               |            |  |  |
| RATING            | 40C AMB-CONT | GREASE         | POLYREX EM |                         |          |               |            |  |  |
| NEMA-NOM-EFF      | 93           | PF             | 79         | SER.F.                  | 1.15     |               |            |  |  |
|                   |              |                |            |                         |          |               |            |  |  |
| HTR-VOLTS         |              | HTR-AMPS       |            | MAX. SPACE HEATER TEMP. |          |               |            |  |  |

| Parts List     |  |          |
|----------------|--|----------|
| Part Number    | Description                              | Quantity |
| SA182825       | SA 10G860X979                            | 1.000 EA |
| RA170717       | RA 10G860X979                            | 1.000 EA |
| 09FN3001A02    | EXTERNAL FAN, PLASTIC KENCO              | 1.000 EA |
| S/P107-000-004 | SUPER-E(284 FR. & UP)-CL PLANT,POLYREX E | 1.000 EA |
| 10CB3001       | CONDUIT BOX CAST W/2.500 LEAD HOLE       | 1.000 EA |
| 12GS1000SP     | GASKET                                   | 1.000 EA |
| 10XN3118K12    | 5/16-18 X .75 GRADE 5, ZINC PLATED       | 4.000 EA |
| HW1001A31      | LOCKWASHER 5/16, ZINC PLT.591 OD, .319 I | 4.000 EA |
| WD1000B16      | KPA-4C BURNDY TERMINAL                   | 1.000 EA |
| 51XF2520A08    | SCREW, HEX SER SLT HD, ZN 1/4-20 X .50 L | 1.000 EA |
| 10EP1106A01    | FR ENDPLATE, MACH                        | 1.000 EA |
| 10XN3816K32    | BOLT, 3/8-16X2 HH YZ(5)                  | 4.000 EA |
| HW1001A38      | LOCKWASHER 3/8, ZINC PLT .688 OD, .382 I | 4.000 EA |
| HW5100A11      | W3917-042 WVY WSHR (WB)                  | 1.000 EA |
| 10XN2520K32    | 1/4-20 X 2.00 HX HD SCRW GRADE 5, ZINC P | 2.000 EA |
| HW1001A25      | LOCKWASHER 1/4, ZINC PLT .493 OD, .255 I | 2.000 EA |
| 10XN3118K44    | 5/16-18 X 2.75" HEX HD, GRADE 5          | 4.000 EA |
| HW1001A31      | LOCKWASHER 5/16, ZINC PLT.591 OD, .319 I | 4.000 EA |
| 10EP1108A01    | PULLEY ENDPLATE - 312 BRG.- ENCL.        | 1.000 EA |
| 10XN3816K28    | 3/8-16 X 1.75 HEX HD CAP SCREW, GRADE 5  | 4.000 EA |
| HW1001A38      | LOCKWASHER 3/8, ZINC PLT .688 OD, .382 I | 4.000 EA |
| 10FH4000       | 310 FAN HOUSING STAMPED                  | 1.000 EA |
| 10XN2520K08    | 1/4-20 X .50 GRADE #5, STL, ZINC PLATE   | 4.000 EA |
| HW1001A25      | LOCKWASHER 1/4, ZINC PLT .493 OD, .255 I | 4.000 EA |

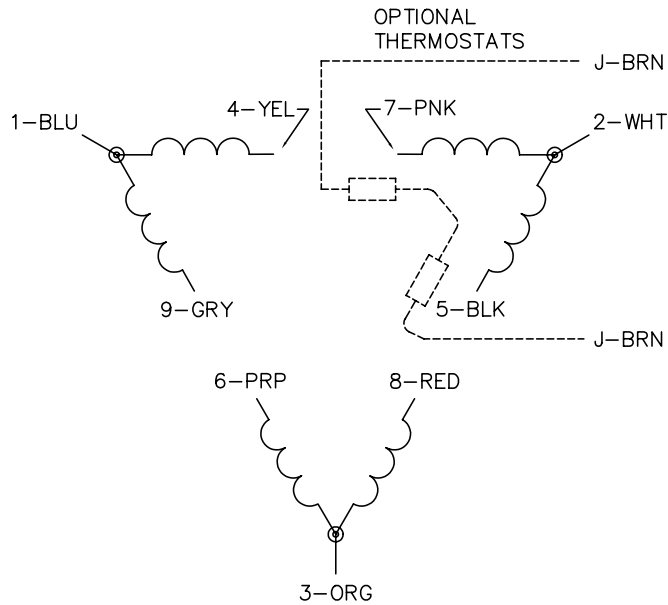
| Parts List (continued) |  |          |
|------------------------|--|----------|
| Part Number            | Description                              | Quantity |
| 10CB3500SP             | CONDUIT BOX LID, CAST                    | 1.000 EA |
| 10GS1000SP             | GASKET, CONDUIT BOX LID                  | 1.000 EA |
| 51XW2520A12            | .25-20 X .75, TAPTITE II, HEX WSHR SLTD  | 4.000 EA |
| HW4600B41              | V-RING SLINGER 2.125 X 2.880 X 0.280     | 1.000 EA |
| HW2501H33              | KEY, 1/2 SQ X 3.875                      | 1.000 EA |
| LB1115                 | LABEL,LIFTING DEVICE                     | 1.000 EA |
| LB5040                 | INSTRUCTION TAG, AC & DC                 | 1.000 EA |
| HW4500A21              | 1618BALEMITE FITTING 825 UNIVERSAL       | 1.000 EA |
| HA4017A01              | 1/8 X 4 GREASE EXT (F/S)                 | 1.000 EA |
| HW4500A17              | 317400 ALEMITE GREASE RELIEF             | 1.000 EA |
| HA4001A01SP            | DRAIN PLUG, PLASTIC (MICRO PLAS)         | 1.000 EA |
| HA4051A00              | PLASTIC CAP FOR GREASE FITTING           | 1.000 EA |
| MJ1000A75              | GREASE, POLYREX EM EXXON                 | 0.130 LB |
| HW4500A03              | GREASE FITTING, .125 NPT 1610(ALEMITE) 8 | 1.000 EA |
| HW4500A17              | 317400 ALEMITE GREASE RELIEF             | 1.000 EA |
| HA4001A01SP            | DRAIN PLUG, PLASTIC (MICRO PLAS)         | 1.000 EA |
| HA4051A00              | PLASTIC CAP FOR GREASE FITTING           | 1.000 EA |
| HW2500A25              | WOODRUFF KEY USA #1008 #BLOW CARBON STEE | 1.000 EA |
| 51XB1214A20            | 12-14X1.25 HXWSSLD SERTYB                | 1.000 EA |
| MG1000Y03              | WILKO 689.710 GOLD PAINT SUPER E         | 0.070 GA |
| 85XU0407A04            | #4-7 X 1/4 DRIVE PIN                     | 4.000 EA |
| LB1119                 | WARNING LABEL                            | 1.000 EA |
| LB1125C02              | SUPER-E (STOCK CTN LABEL SUPER-E WITH FL | 4.000 EA |
| LB1357                 | ENERGY GUIDE LABEL (BOX LABEL)           | 1.000 SH |

| <b>Parts List (continued)</b> |  |                 |
|-------------------------------|--|-----------------|
| <b>Part Number</b>            | <b>Description</b>                       | <b>Quantity</b> |
| LC0181                        | CONNECTION LABEL                         | 1.000 EA        |
| NP2138L                       | LARGE NP BALDOR SUPER-E LASER BLANK      | 1.000 EA        |
| 12PA1000                      | PACKAGING GROUP COMBINED PRINT PK1024A06 | 1.000 EA        |

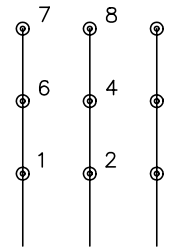
| Accessories |             |            |
|-------------|-------------|------------|
| Part Number | Description | Multiplier |
| 10-1304     | C FACE KIT  | A8         |



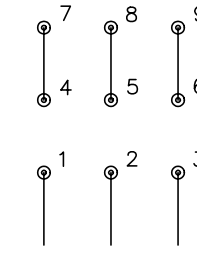
CD0180



LOW VOLTAGE  
(2D)



HIGH VOLTAGE  
(1D)



NOTES:

1. INTERCHANGE ANY TWO LINE LEADS TO REVERSE ROTATION.
2. OPTIONAL THERMOSTATS ARE PROVIDED WHEN SPECIFIED.
3. ACTUAL NUMBER OF INTERNAL PARALLEL CIRCUITS MAY BE A MULTIPLE OF THOSE SHOWN ABOVE.
4. LEAD COLORS ARE OPTIONAL. LEADS MUST ALWAYS BE NUMBERED AS SHOWN.

|   |         |                        |              |
|---|---------|------------------------|--------------|
| REV. DESC: REVISE TO SHOW OPTIONAL COLORS |         |                        |              |
| REV. LTR: C                               | BY: JLP | REVISED: 01/21/99 2:28 | TDR: 0171435 |
| 0810D0                                    |         | FILE: AAA00005148      | MDL: -       |
|   |         | MTL: -                 |              |

**BALDOR ELECTRIC Co.**

3PH, DV, 9 LEADS, DELTA CONNECTION

CD0180