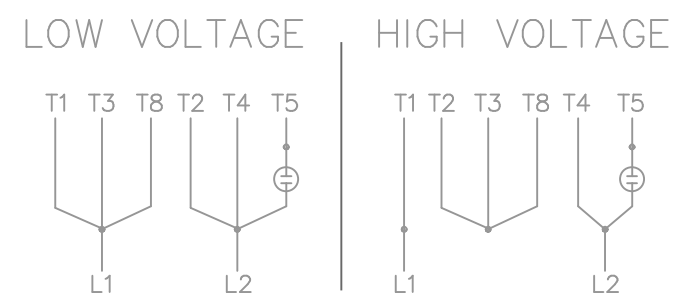
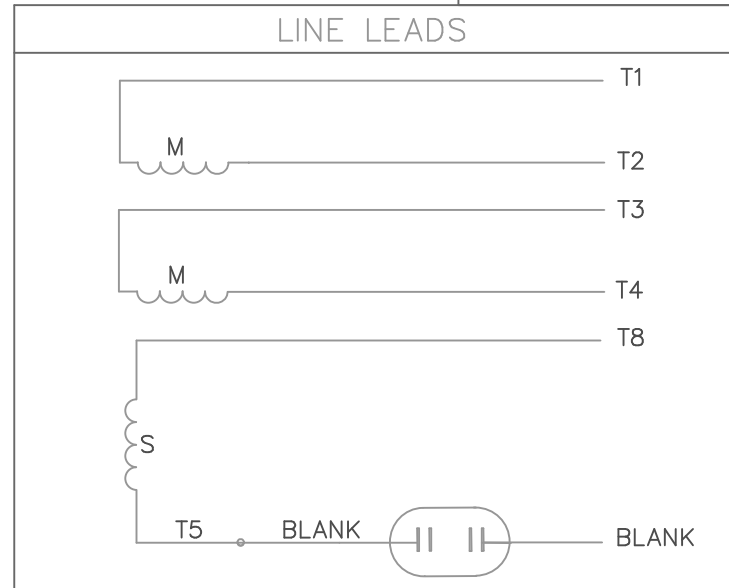
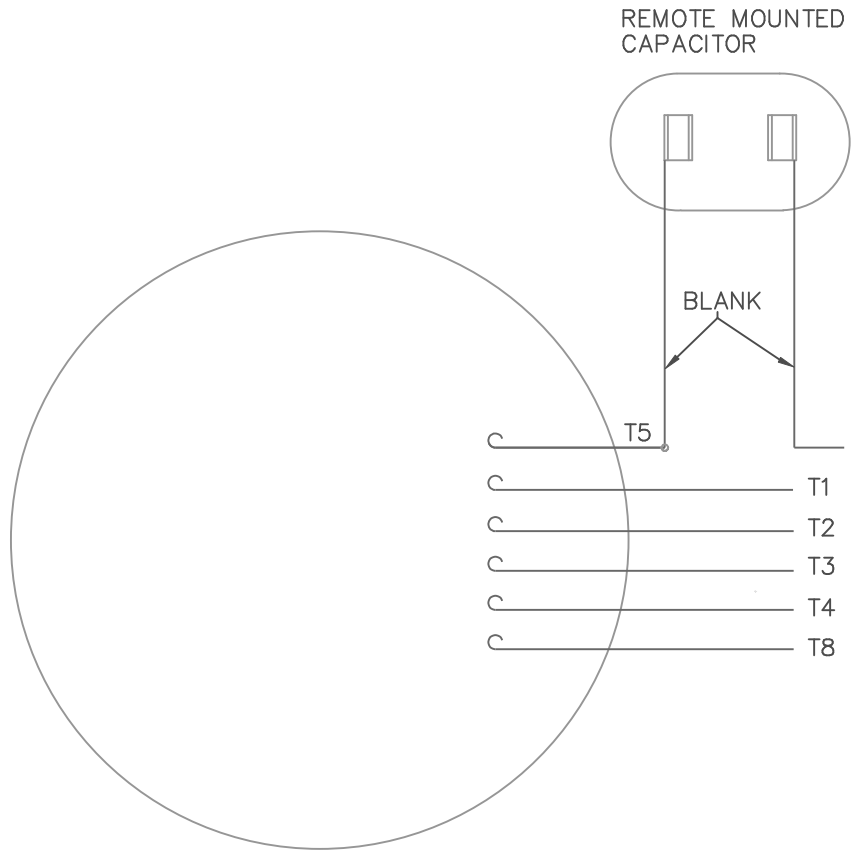


005108-05

VIEW FROM OUTSIDE OF MOTOR AT LEAD END.



2 STAGE:
C.C.W. ROTATION FACING LEAD END AS SHOWN
INTERCHANGE LEADS T5 & T8 FOR C.W.

3 STAGE:
CW ROTATION FACING LEAD END AS SHOWN
INTERCHANGE LEADS T5 & T8 FOR CCW

				TOLERANCES UNLESS OTHERWISE SPECIFIED		LEESON ELECTRIC CORPORATION				
				DECIMALS						
				.00	± .01	DRAWN DBT 07/21/97	TITLE			
				.000	± .005	CH'K'D.	EXTERNAL WIRING DIAGRAM TYPE "P" W/O PROTECTOR			
				.0000	± .0005	APPR.	MAT'L.			
NO.	REVISION	BY	DATE	FRACTIONS	± 1/64	SCALE 1=1	TAG - 080689.02 - 2 STAGE TAG - 080689.01 - 3 STAGE			
THIS DRAWING IN DESIGN AND DETAIL IS OUR PROPERTY AND MUST NOT BE USED EXCEPT IN CONNECTION WITH OUR WORK ALL RIGHTS OF DESIGN AND INVENTION ARE RESERVED				ANGLES	± 1/2°	REF. 005018-01	FINISH	LEESON	SIZE	DRAWING NO.
				INCH/MM		FMF	GEARMOTORS	A	005108-05	