

BALDOR® • RELIANCE

Product Information Packet

ELECTRIC MOTOR WHOLESAL.COM

EM3768T

5HP,1160RPM,3PH,60HZ,215T,0746M,TEFC,F1

Part Detail							
Revision:	B	Status:	PRD/A	Change #:		Proprietary:	No
Type:	AC	Prod. Type:	0746M	Elec. Spec:	07WGY763	CD Diagram:	
Enclosure:	TEFC	Mfg Plant:		Mech. Spec:	07H002	Layout:	
Frame:	215T	Mounting:	F1	Poles:	06	Created Date:	05-07-2010
Base:	RG	Rotation:	R	Insulation:	F	Eff. Date:	03-03-2011
Leads:	9#14	Literature:		Elec. Diagram:		Replaced By:	

Nameplate NP1259L

CAT.NO.	EM3768T						
SPEC.	07H002Y763						
HP	5						
VOLTS	208-230/460						
AMP	15.3-14.8/7.4						
RPM	1160						
FRAME	215T	HZ			60	PH	3
SER.F.	1.15	CODE			K	DES	A CL F
NEMA-NOM-EFF	89.5	PF			71		
RATING	40C AMB-CONT						
CC	010A	USABLE AT 208V					
DE	6307	ODE			6206		
ENCL	TEFC	SN					

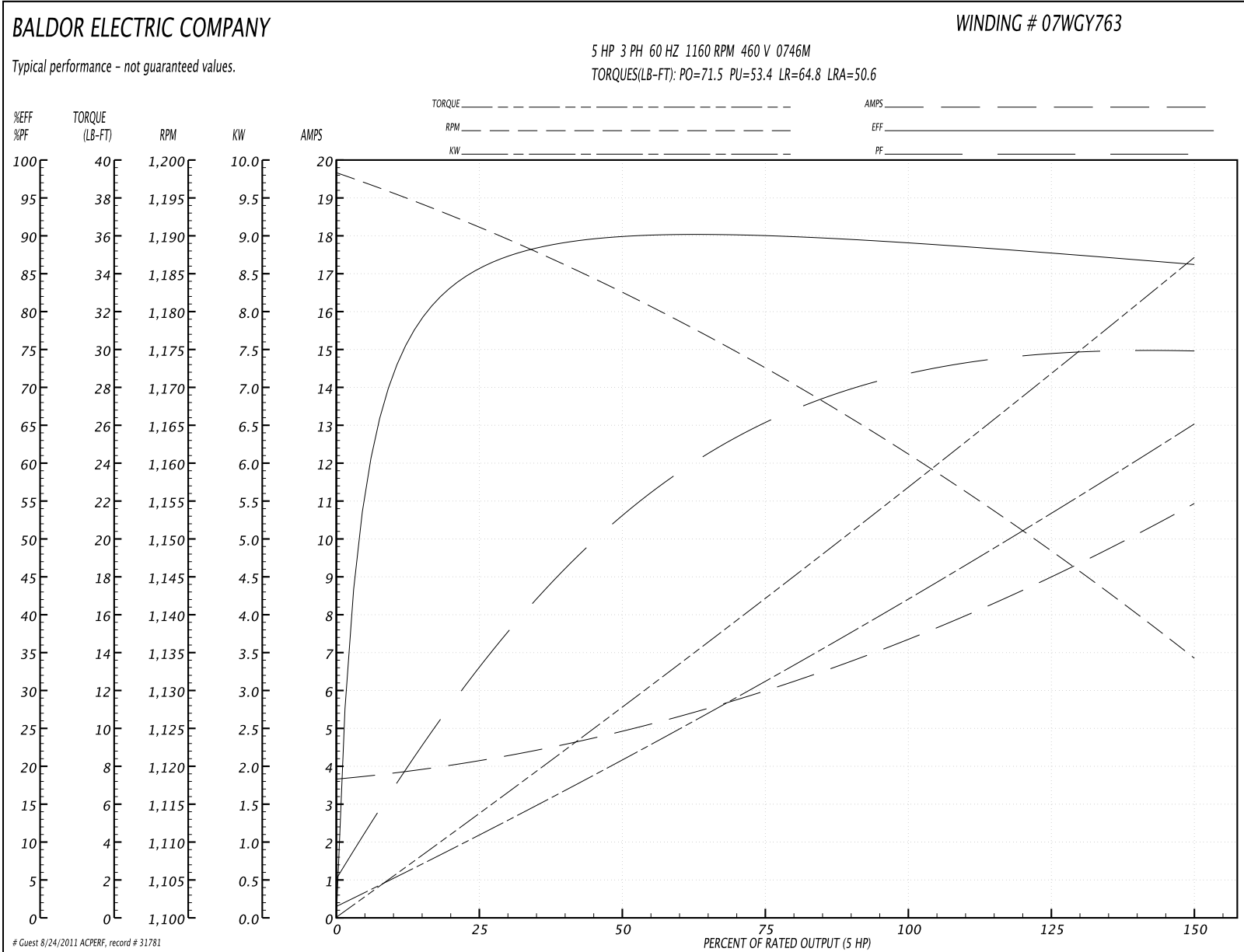
Parts List		
Part Number	Description	Quantity
SA194594	SA 07H002Y763	1.000 EA
RA182180	RA 07H002Y763	1.000 EA
37FN3002C01	EXFN, PLASTIC, 6.00 OD, 1.155 ID	1.000 EA
S/P107-000-001	SUPER E PROC'S-FS & WS PLTS-POLYREX EM G	1.000 EA
HW3201A05	3/8-16 EYEBOLT	1.000 EA
09CB3002SP	CB W/1.38 LEAD HOLE FOR 37, 39, 307 & 30	1.000 EA
09GS1000SP	GASKET-CONDUIT BOX, 1/16 THICK LEXIDE	1.000 EA
51XW2520A12	.25-20 X .75, TAPTITE II, HEX WSHR SLTD	2.000 EA
WD1000B17	KPA-8C BURNDY TERMINAL	1.000 EA
11XW1032G06	10-32 X .38, TAPTITE II, HEX WSHR SLTD U	1.000 EA
HW3001B01	003SS CUP WASHER, FOR #8 SCREW	1.000 EA
37EP1100A41	FR ENDPLATE MACH FOR GREASER & RELIEF	1.000 EA
HW4500A17	317400 ALEMITE GREASE RELIEF	1.000 EA
HW4500A01	1641B(ALEMITE)400 UNIV, GREASE FITT	1.000 EA
HW5100A06	W2420-025 WVY WSHR (WB)	1.000 EA
37EP1101A22	PU ENDPLATE, MACH	1.000 EA
HW4500A17	317400 ALEMITE GREASE RELIEF	1.000 EA
HW4500A01	1641B(ALEMITE)400 UNIV, GREASE FITT	1.000 EA
XY3118A12	5/16-18 HEX NUT DIRECTIONAL SERRATION	4.000 EA
07FH4007SP	IEC FH W/GRSR, NOTCH @ 6:00 & 3 FAN CVR	1.000 EA
51XW1032A06	10-32 X .38, TAPTITE II, HEX WSHR SLTD S	3.000 EA
09CB3501SP	CONDUIT BOX LID FOR 09CB3001 & 09CB3002	1.000 EA
09GS1013SP	09 GS FOR 09CB3501 LID - LEXIDE	1.000 EA
51XW2520A12	.25-20 X .75, TAPTITE II, HEX WSHR SLTD	2.000 EA

Parts List (continued)		
Part Number	Description	Quantity
HW2501F21	KEY, 5/16 SQ X 2.375	1.000 EA
HA7000A02	KEY RETAINER RING, 1 1/8 DIA, 1 3/8 DIA	1.000 EA
LB1115	LABEL,LIFTING DEVICE	1.000 EA
85XU0407S04	4X1/4 U DRIVE PIN STAINLESS	2.000 EA
MJ1000A75	GREASE, POLYREX EM EXXON	0.050 LB
HA3104A32	THRUBOLT- 5/16-18 X12.750	4.000 EA
51XB1214A20	12-14X1.25 HWSSLD SERTYB	1.000 EA
MG1000Y03	WILKO 689.710 GOLD PAINT SUPER E	0.036 GA
LB1125C02	SUPER-E (STOCK CTN LABEL SUPER-E WITH FL	1.000 EA
LC0005E01	CONN.DIA./WARNING LABEL (LC0005/LB1119)	1.000 EA
LB1357	ENERGY GUIDE LABEL (BOX LABEL)	1.000 SH
NP1259L	SUPER E, ALUM, UL CSA CC, W/O THERMAL,	1.000 EA
07PA1011	PKG GRP, 07 CAST IRON PK1181	1.000 EA

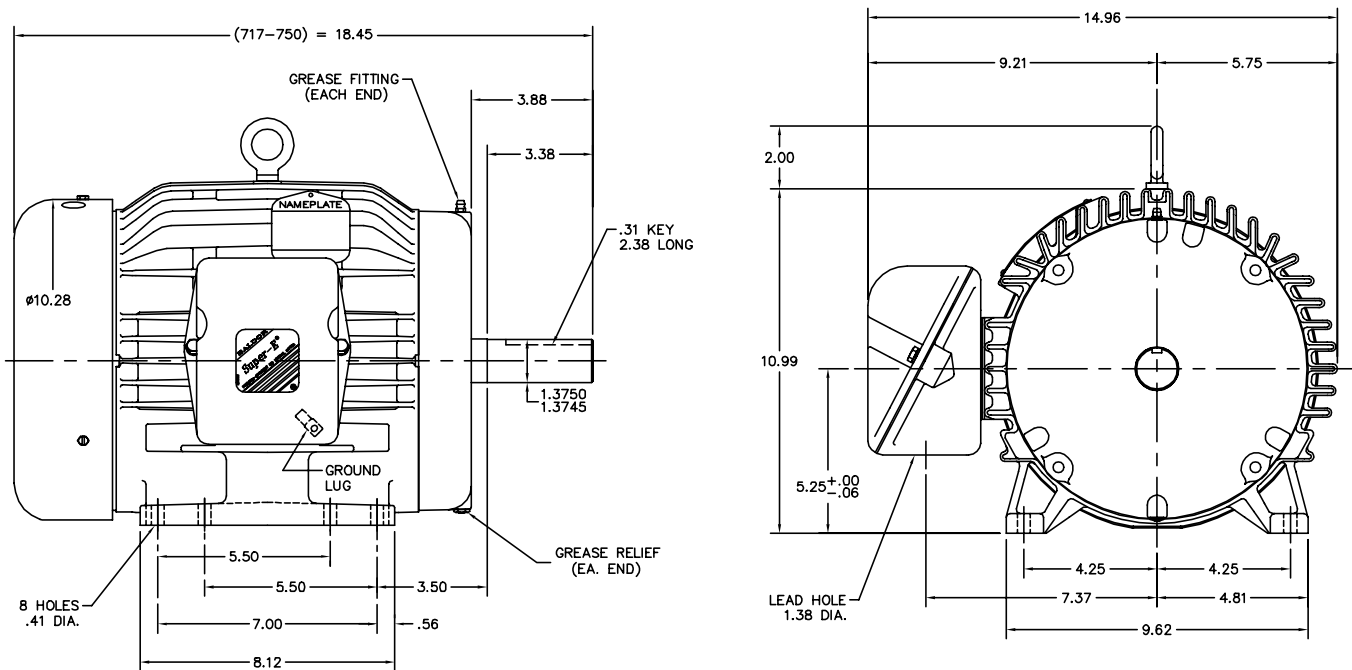
Accessories		
Part Number	Description	Multiplier
37-1304	C FACE KIT	A8

Performance Data at 460V, 60Hz, 5.0HP (Typical performance - Not guaranteed values)							
General Characteristics							
Full Load Torque:	22.5 LB-FT			Start Configuration:	DOL		
No-Load Current:	3.74 Amps			Break-Down Torque:	71.5 LB-FT		
Line-line Res. @ 25°C.:	1.7878 Ohms A Ph / 0.0 Ohms B Ph			Pull-Up Torque:	53.4 LB-FT		
Temp. Rise @ Rated Load:	48 C			Locked-Rotor Torque:	64.8 LB-FT		
Temp. Rise @ S.F. Load:	60 C			Starting Current:	50.6 Amps		
Load Characteristics							
% of Rated Load	25	50	75	100	125	150	S.F.
Power Factor:	34.0	54.0	65.0	71.0	74.0	76.0	73.0
Efficiency:	85.4	89.9	90.3	89.5	88.1	86.1	88.7
Speed:	1190.9	1181.9	1172.9	1161.8	1149.7	1133.6	1155.0
Line Amperes:	4.03	4.85	6.03	7.37	8.95	10.9	8.32

Performance Graph at 460V, 60Hz, 5.0HP Typical performance - Not guaranteed values



07LYH002



CUSTOMER IS RESPONSIBLE FOR DETERMINING THAT MOTOR PERFORMANCE IS SUITABLE IN THE APPLICATION.

REV. DESC: OMITTED LB1098			
REV. LTR: N	BY: SSS	REVISED: 09:30:19 04/16/2001	TDR: 237216
FILE: AAA00016291	REF: 07LYH002		
MTL: -			

BALDOR ELECTRIC Co.

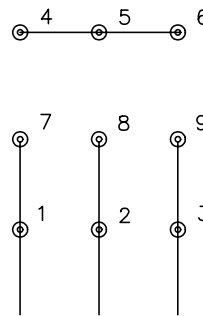
HORZ TEFC 307M 213-5T (SUPER-E)

07LYH002

CD0005

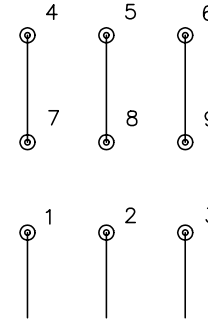


LOW VOLTAGE
(2Y)



LINE

HIGH VOLTAGE
(1Y)



LINE

NOTES:

1. INTERCHANGE ANY TWO LINE LEADS TO REVERSE ROTATION.
2. OPTIONAL THERMOSTATS ARE PROVIDED WHEN SPECIFIED.
3. ACTUAL NUMBER OF INTERNAL PARALLEL CIRCUITS MAY BE A MULTIPLE OF THOSE SHOWN ABOVE.
4. LEAD COLORS ARE OPTIONAL. LEADS MUST ALWAYS BE NUMBERED AS SHOWN.

REV. DESC: REVISE TO SHOW OPTIONAL COLORS

REV. LTR: E BY: JLP

REVISED: 01/19/99 10:15

TDR: 0171435

90000

FILE: AAA00005140

MDL: -

MTL: -

BALDOR ELECTRIC Co.

3PH, DV, 9 LEADS

CD0005