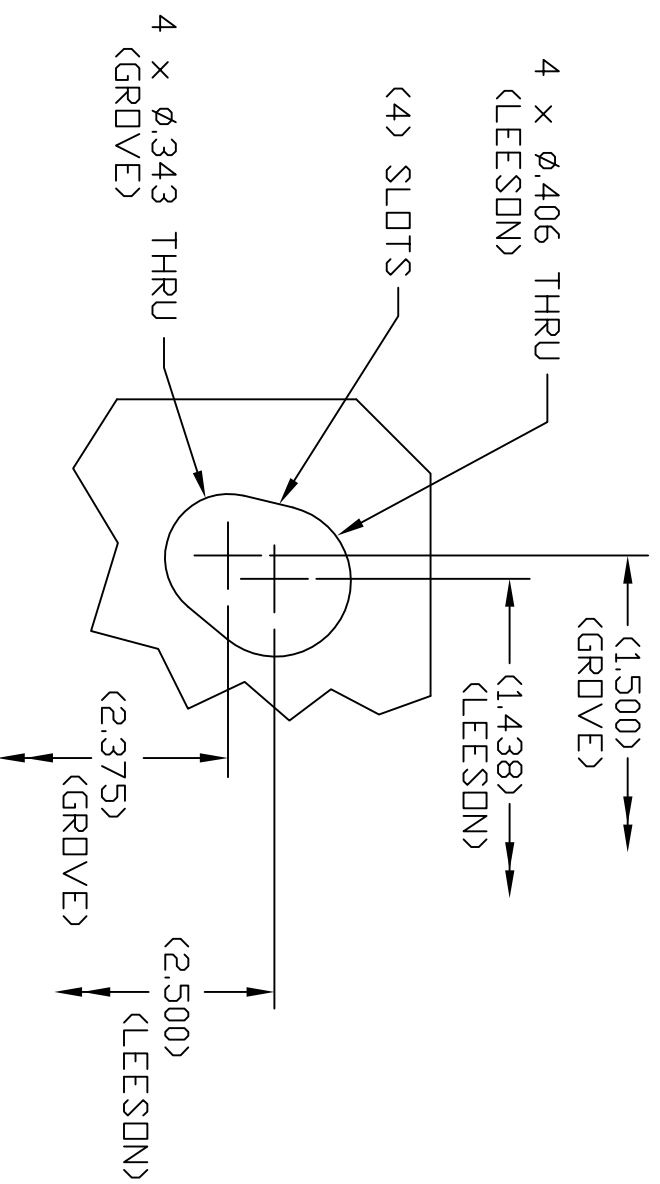


VIEW "A"-"A"



- NOTES:
1. FINISH STOCK (.045-.105MAX.)
 2. .12 RADIUS TYP, UNLESS OTHERWISE SPECIFIED.
 3. 2-3° DRAFT ANGLE TYP, UNLESS OTHERWISE SPECIFIED.
 3. SIMILAR TO 27002C BUT W/ LEESON (#320500) MTG HOLES ADDED.

NO.	REVISION	DATE
2	ECN#10370, ADD .88 C/BORE TO LEESON MTG PAT. (.406)	9/13/10
1	ECN#9219, ADD LEESON MOUNTING HOLES (SLDTS)	7-6-09

<p>GROVE GEAR DIVISION POWER TRANSMISSION GROUP, REGAL-SELBIT CORPORATION 1524-15TH AVE. - UNION GROVE, WI 53182 414/878-1221</p>		<p>TITLE GROVE-LEESON MTG. PATTERN (SP) HORIZONTAL BASE 220-821, MACHINING</p>	
DRAWN BY	M.C.	DATE	7-6-09
CHECKED BY		UNLESS OTHERWISE SPECIFIED	TOLERANCES SPECIFIED
		DECIMAL	XXXX ±.001
		XXX	±.005
		XX	±.010
		ANGLES	±.030
			125/
		WHERE USED	DRAWING NUMBER
			27002C

DETAIL "A"

DETAIL "A"