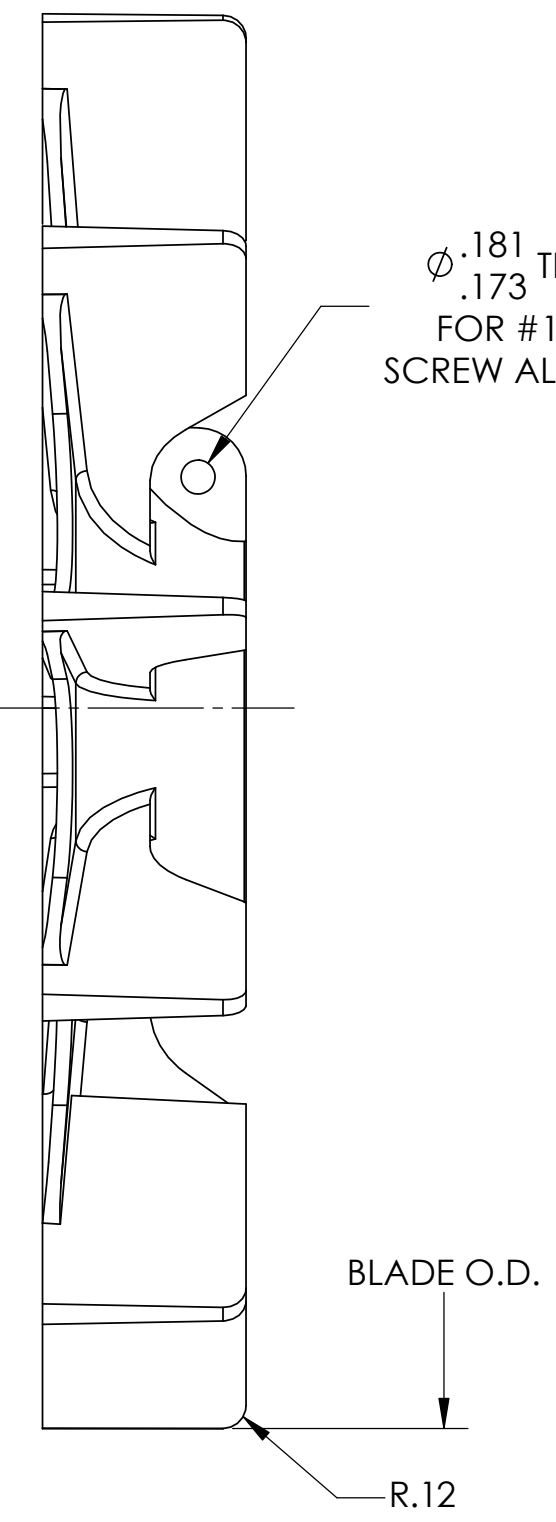
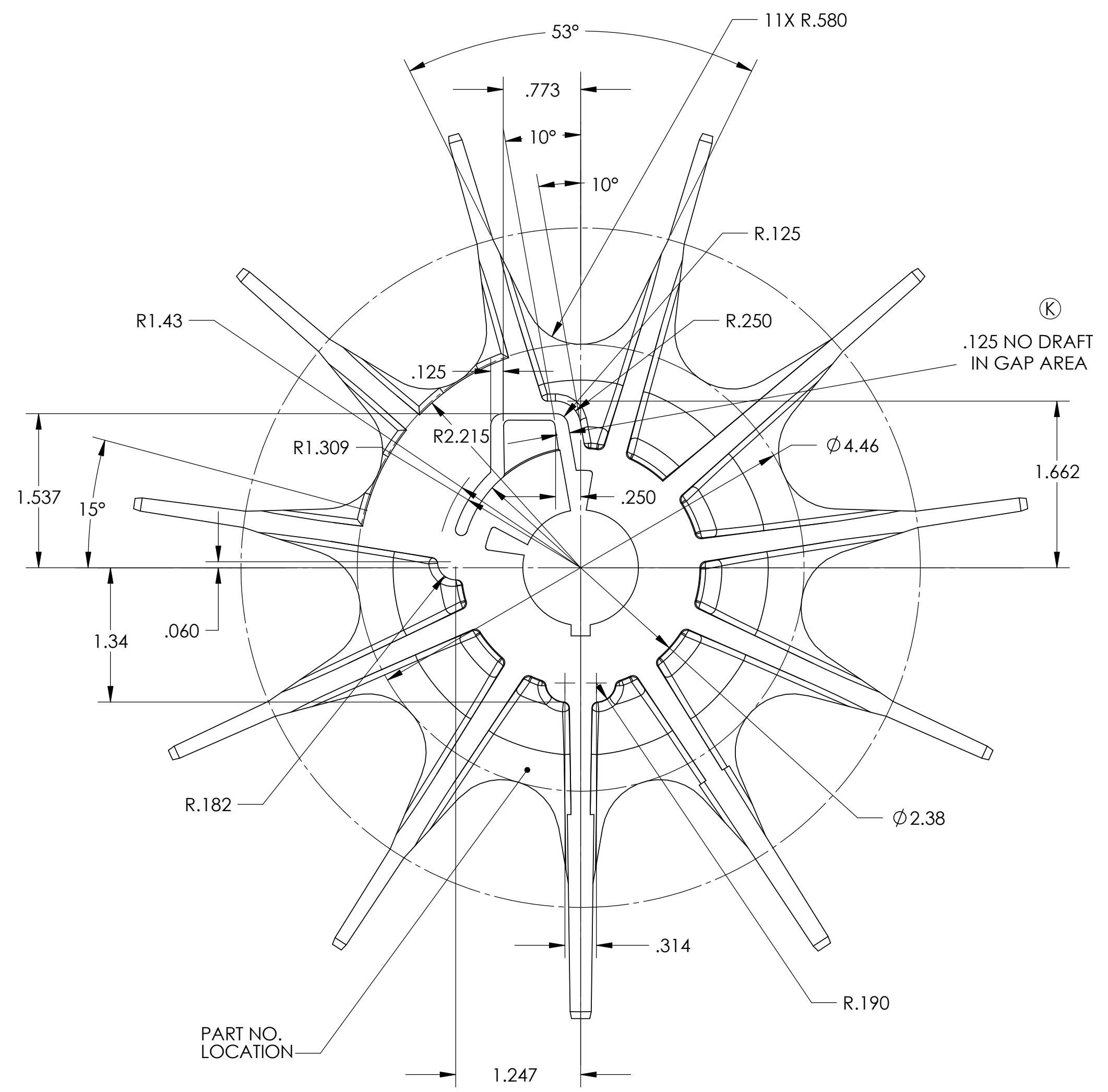
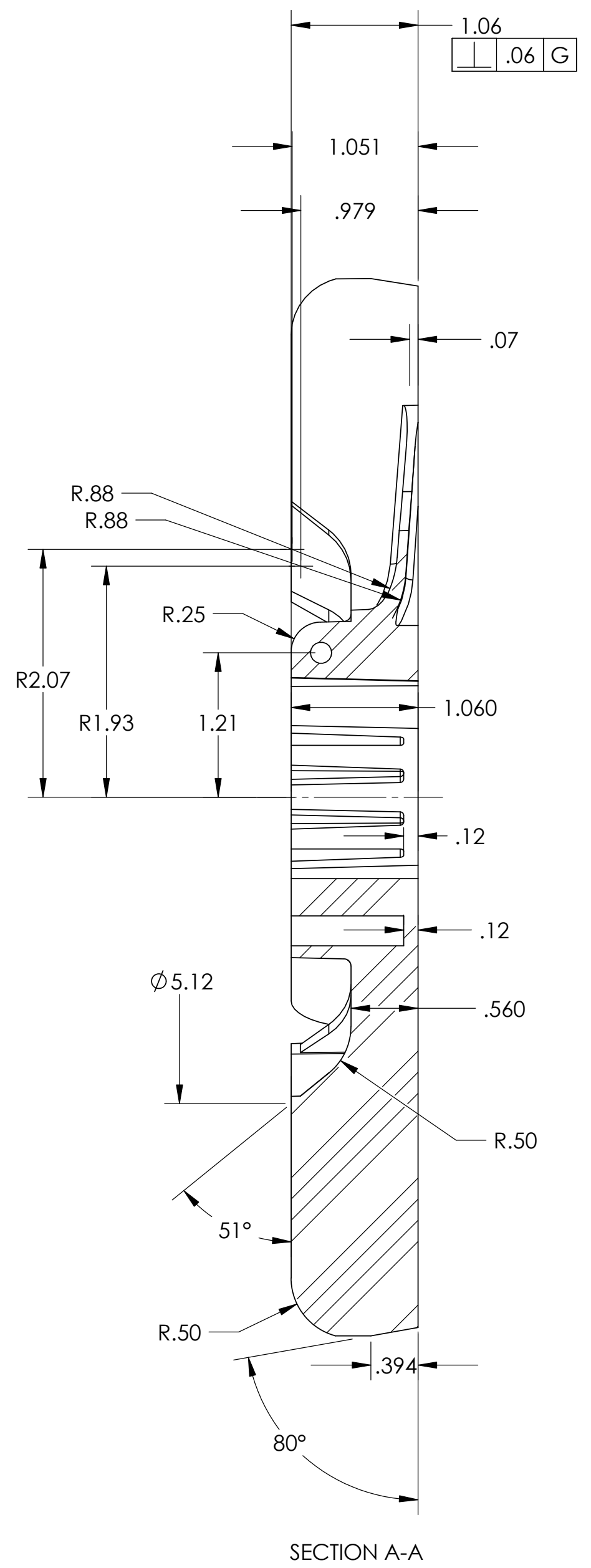
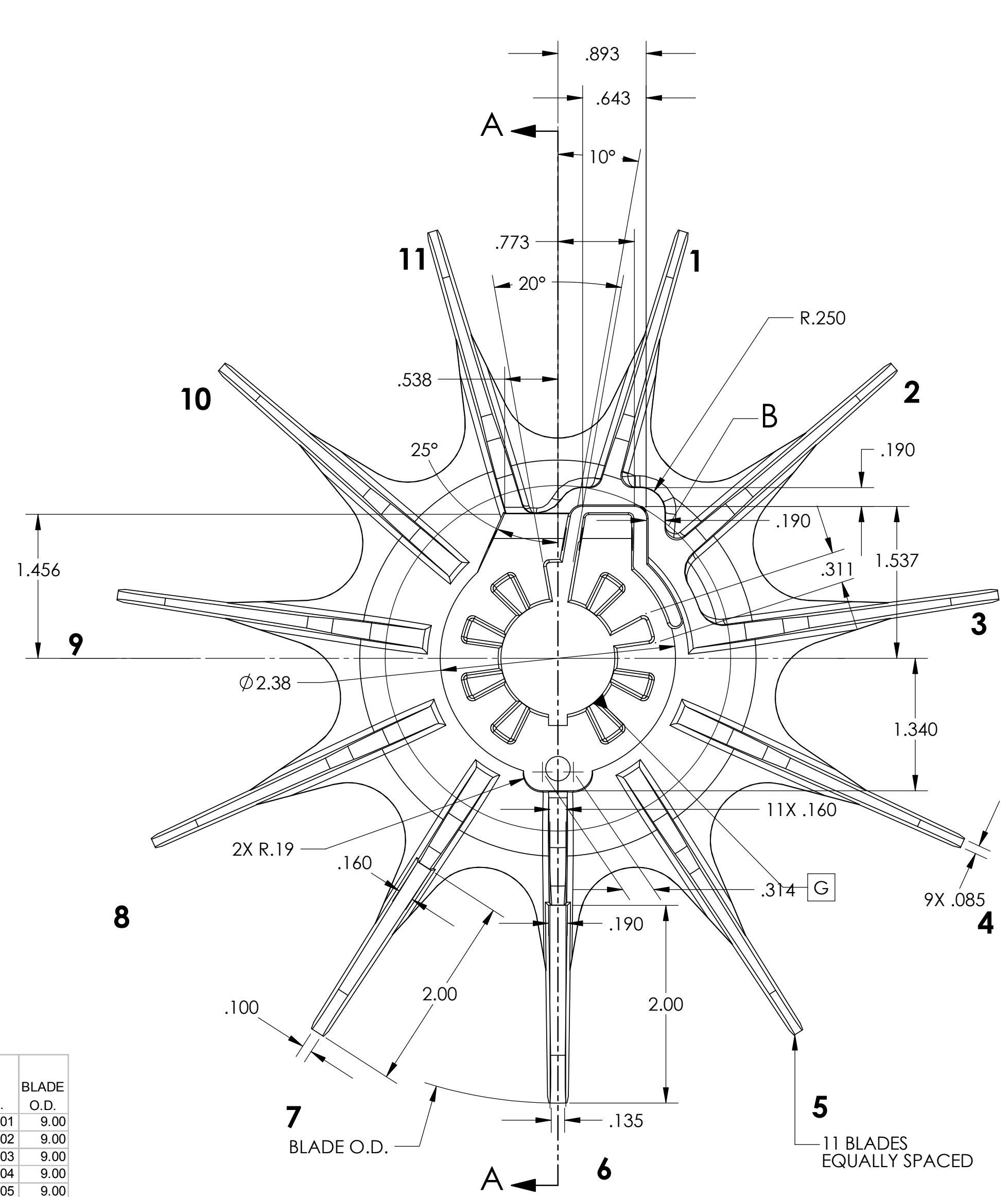


Ø.181 THROUGH
.173
FOR #12 TYPE B
SCREW ALL VERSIONS

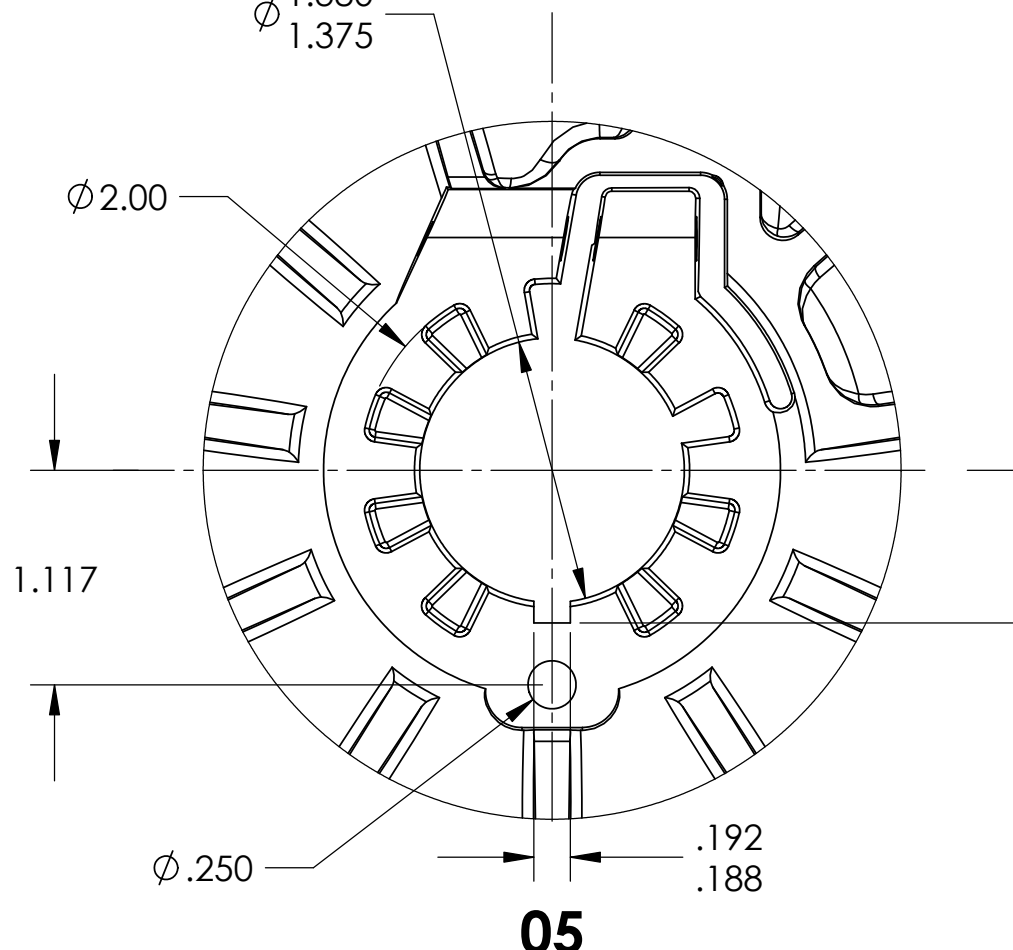
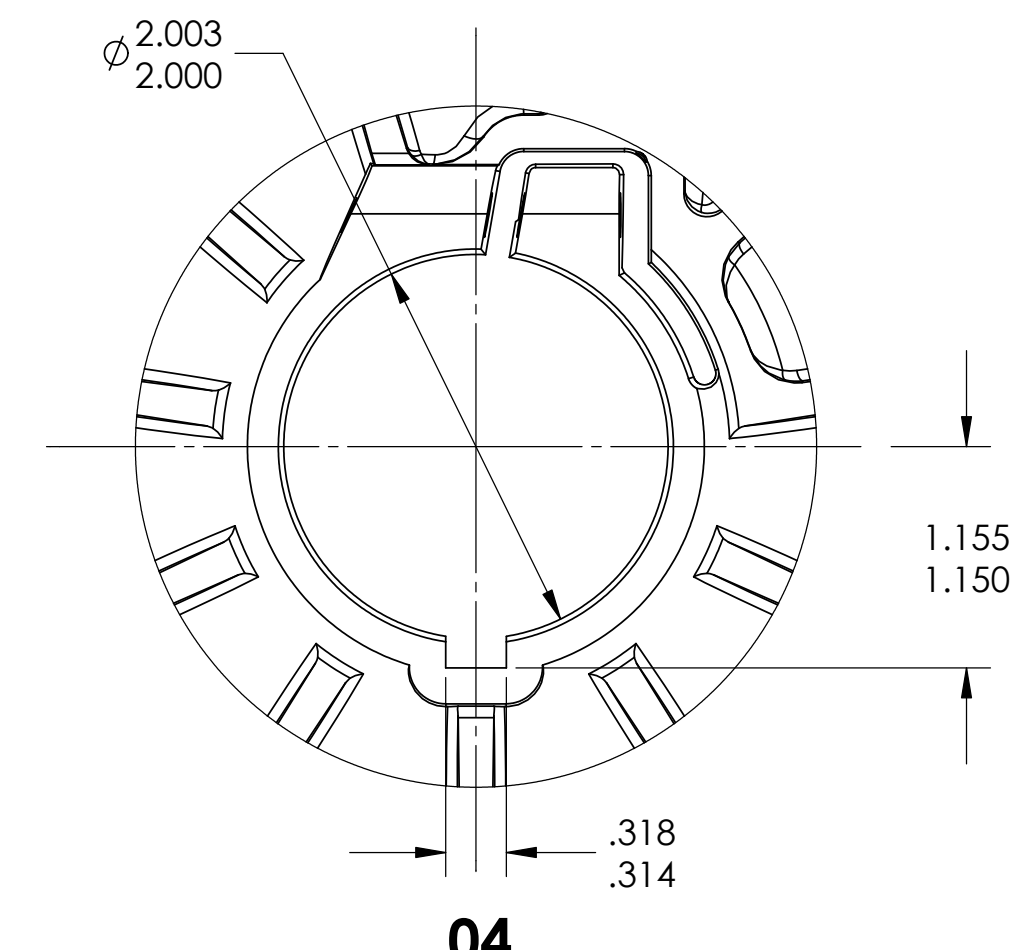
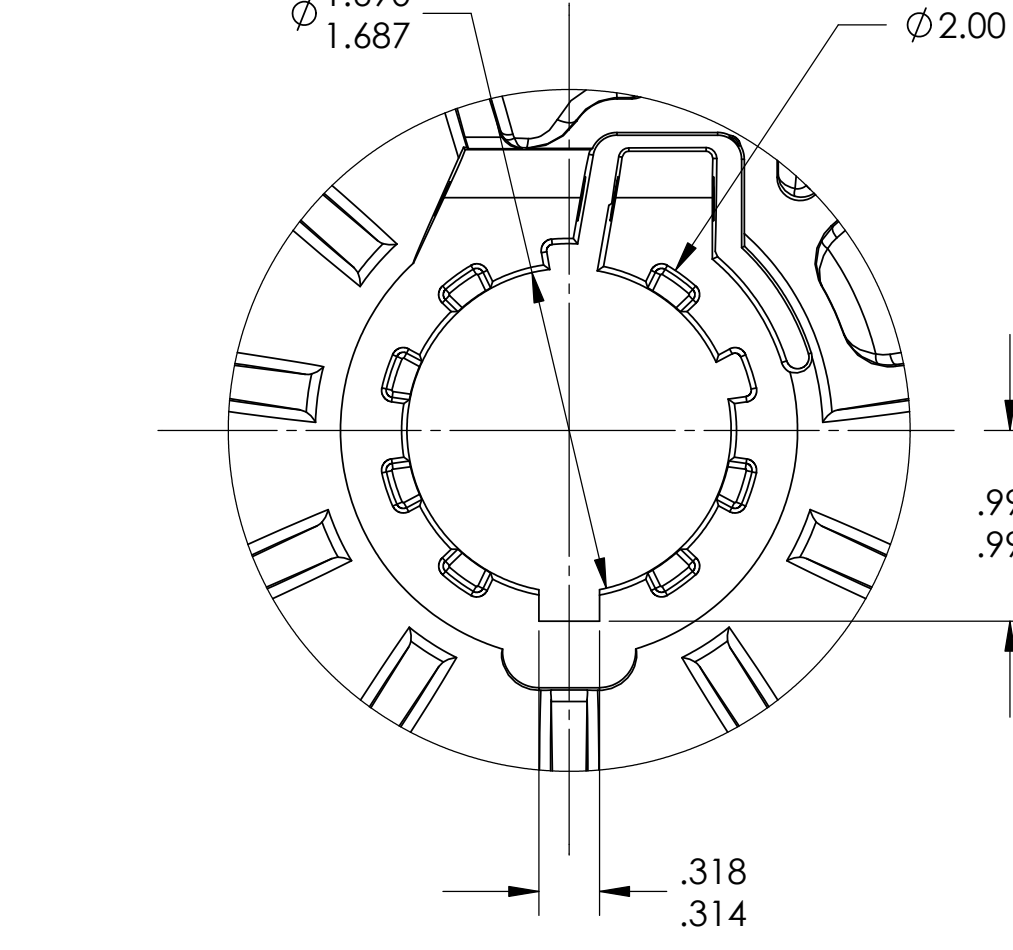
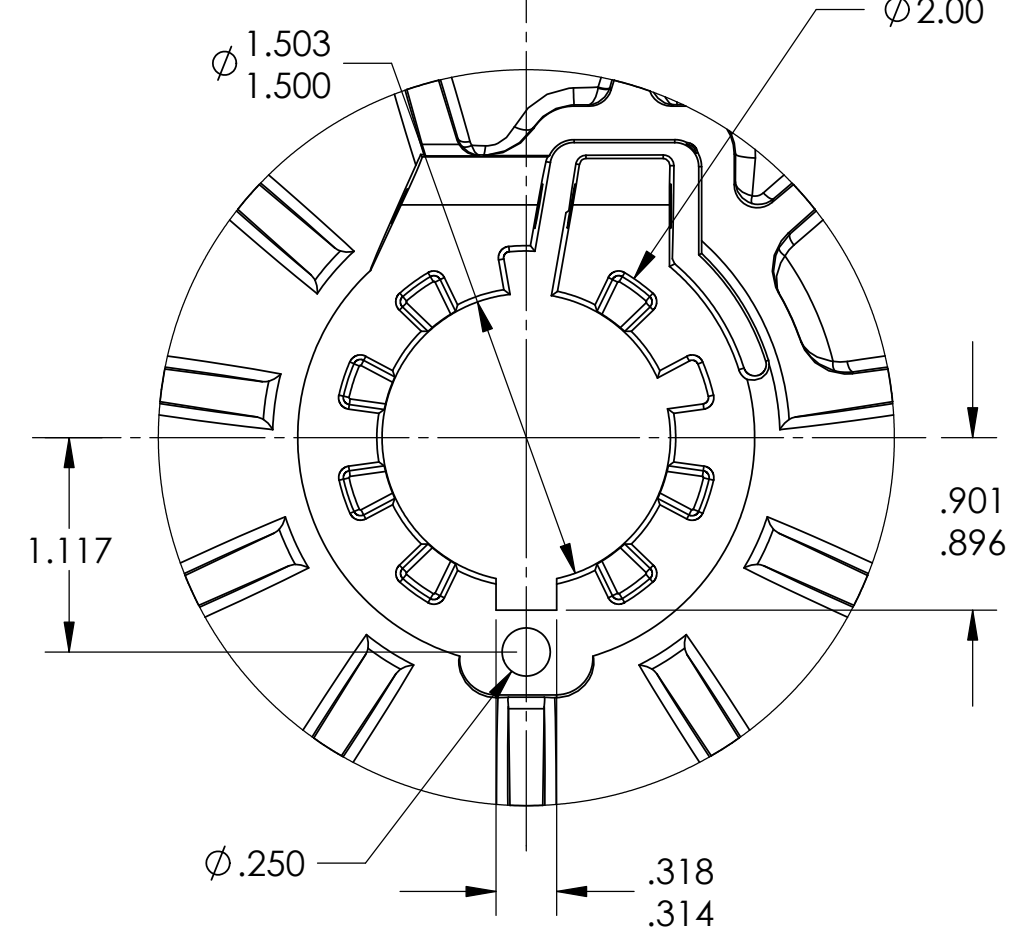
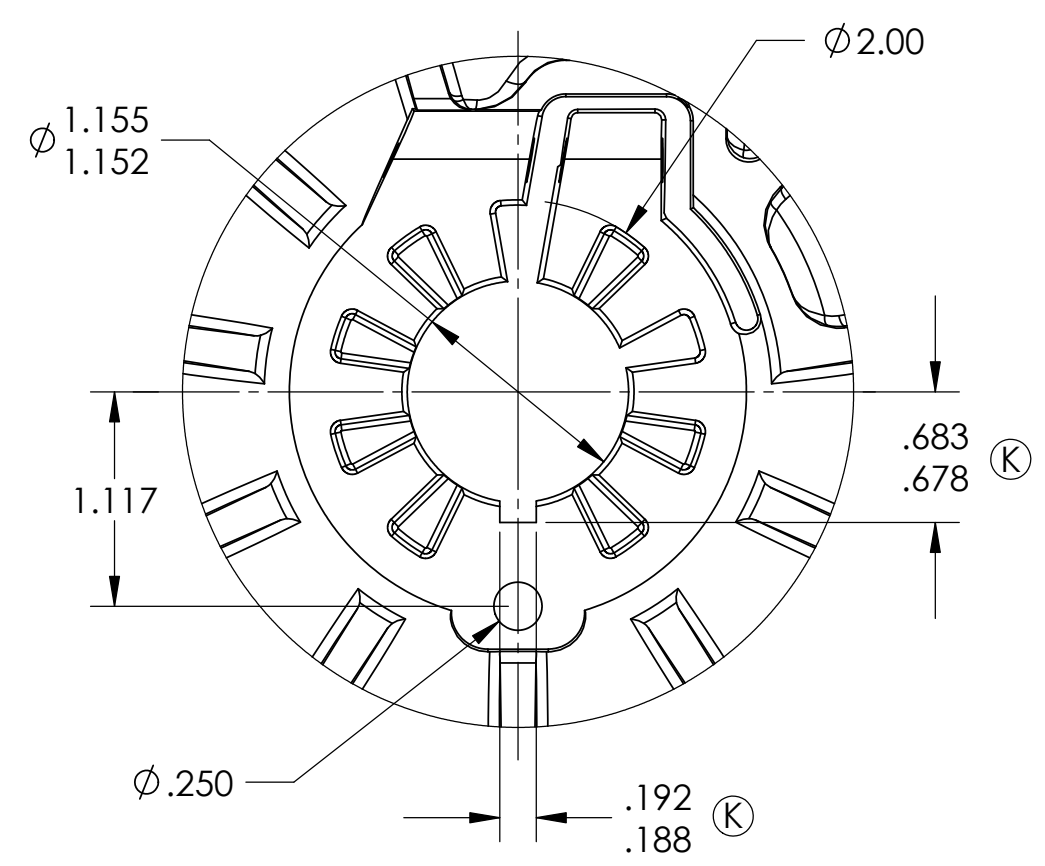


B & C VERSIONS
SHOWING BLADE O.D.

PART NO.	BLADE O.D.
37FN3002A01	9.00
37FN3002A02	9.00
37FN3002A03	9.00
37FN3002A04	9.00
37FN3002A05	9.00
37FN3002B01	7.50
37FN3002B02	7.50
37FN3002B03	7.50
37FN3002B04	7.50
37FN3002B05	7.50
37FN3002C01	6.00
37FN3002C02	6.00
37FN3002C03	6.00
37FN3002C04	6.00
37FN3002C05	6.00



NOTE:
 1. Density = 0.038 pounds per cubic inch
 2. Mass = 0.360 pounds
 3. Volume = 9.469 cubic inches
 4. Material = Polypropylene MP5000
 5. FAN BLADES ARE TO BE PERPENDICULAR TO DATUM REFERENCE -G- WITHIN ±.06
 6. USE GAGE T-8591 TO MEASURE PERPENDICULARITY OF BLADES TO DATUM REFERENCE -G-
 7. FANS ARE TO BE BALANCED TO A MAXIMUM OF .15 in gms. RESIDUAL IMBALANCE.



INJ. MOLDED PLASTIC
TOL. UNLESS SPEC.
±.002 INCH. DRAFT=1.5°
RADI=.06 ANG=±.5°

REV. DESC: REVISED A01 KEYWAY, ADDED NO DRAFT NOTE.	TDR: 00000360862
REV: K VERSION: 02	REVISED: 14-01-05 03/24/2005
MODEL NO. -	REF: 37FN3002
BY: ENDAVB0	

BALDOR ELECTRIC Co.
37 FRAME PLASTIC FAN FOR 1.16, 1.38, 1.5