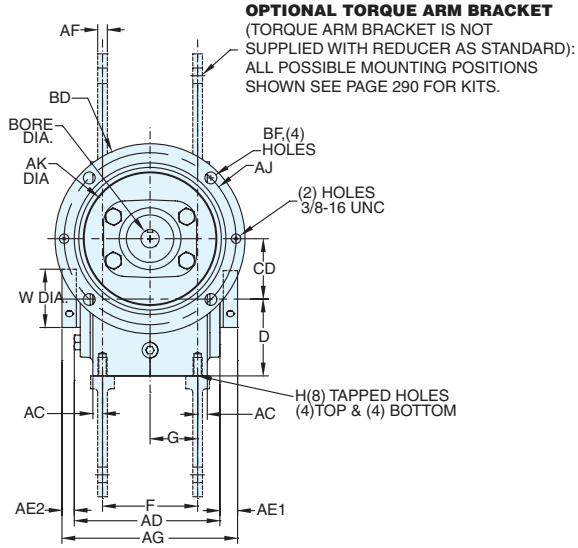
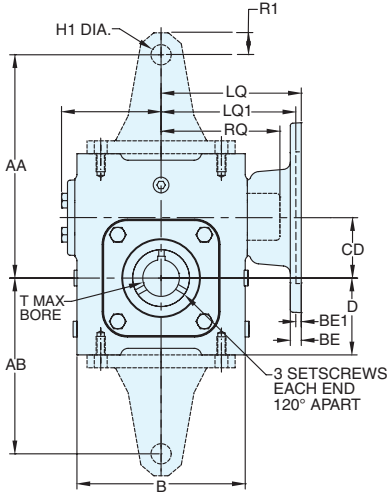


# ELECTRA-GEAR

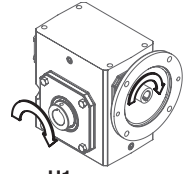
## EL SERIES DIMENSIONS

STYLES: HMQ, HM, H

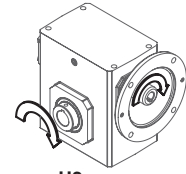
### STYLE HMQ



#### ASSEMBLIES



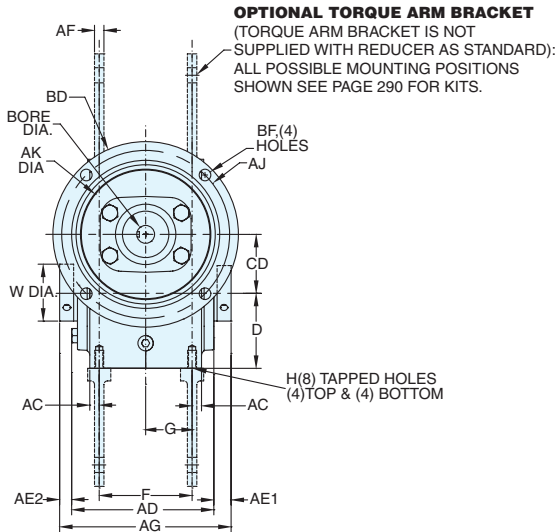
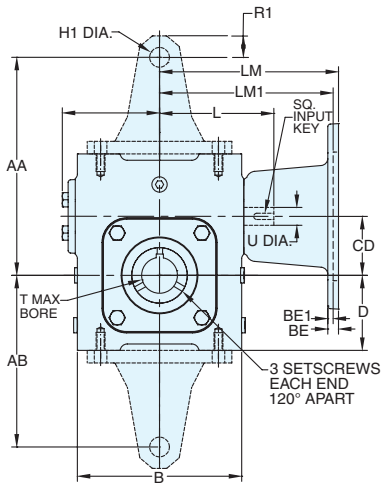
H1



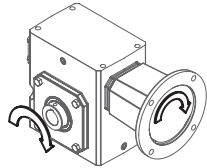
H2

H1 SUPPLIED AS STANDARD UNLESS SPECIFIED. ACCESSORY KITS CAN MOUNT TO EITHER OUTPUT SIDE OF REDUCER.

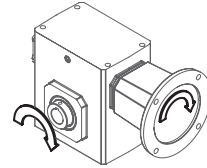
### STYLE HM



#### ASSEMBLIES



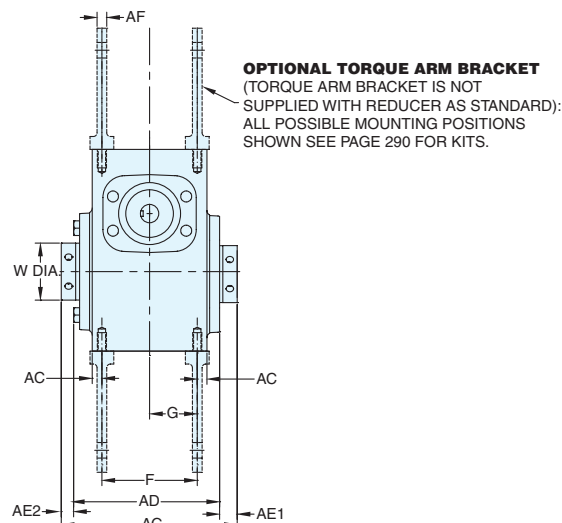
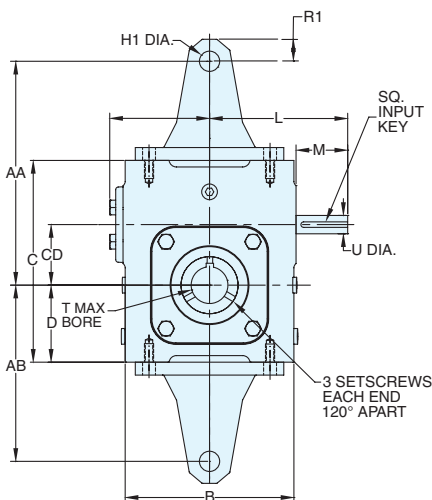
H1



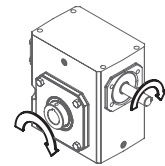
H2

H1 SUPPLIED AS STANDARD UNLESS SPECIFIED. ACCESSORY KITS CAN MOUNT TO EITHER OUTPUT SIDE OF REDUCER.

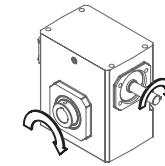
### STYLE H



#### ASSEMBLIES



H1



H2

REVERSE ALL ARROWS FOR OPPOSITE INPUT SHAFT ROTATION. CONTACT FACTORY FOR OTHER MOUNTINGS OR ASSEMBLY POSITIONS.

H1 SUPPLIED AS STANDARD UNLESS SPECIFIED. ACCESSORY KITS CAN MOUNT TO EITHER OUTPUT SIDE OF REDUCER.

**STYLE HMQ, HM, H DIMENSIONS (Inches)**

Size	AA	AB	AC	AD	AE1	AE2	AF	AG	B	C	CD	D	F	G	H1	I	L	M	R1	V	T MAX* +0.000 -0.0025	U +0.000 -0.0015	Input Key (Style H only)*	Input Key (Style HM only)*	Output Key
EL813	--	--	0.41	3.89	0.58	0.26	--	4.75	3.80	4.66	1.33	1.72	2.00	1.00	--	2.40	3.82	1.87	-	1.00	0.625	0.500	1/8 x 1.00	--	3/16 x 1.50
EL818	6.25	5.00	0.28	4.72	0.49	0.29	0.69	5.50	4.83	5.86	1.75	2.31	2.95	1.48	0.53	3.03	4.35	1.78	0.66	1.44	1.000	0.625	3/16 x 1.38	3/16 x .500	1/4 x 3.00
EL821	7.63	6.00	0.33	4.98	0.60	0.42	0.69	6.00	5.75	6.88	2.06	2.63	3.25	1.63	0.53	3.40	4.71	1.76	0.75	1.94	1.500*	0.625	3/16 X 1.38	3/16 x .500	3/8 x 3.00
EL824	7.81	5.87	0.59	5.17	1.02	0.81	0.69	6.00	5.86	6.94	2.38	2.50	2.88	1.44	0.53	3.61	5.51	2.45	0.75	1.94	1.500*	0.750	3/16 X 1.63	3/16 x .500	3/8 x 3.00
EL826	8.50	7.00	0.73	6.00	0.60	0.40	0.69	7.00	7.17	8.00	2.63	3.25	3.37	1.69	0.53	4.17	6.07	2.45	0.75	1.94	1.500*	0.750	3/16 x 1.63	3/16 x .500	3/8 x 3.00
EL830	9.94	8.00	0.56	6.52	0.60	0.38	0.69	7.50	8.11	8.94	3.00	3.50	4.13	2.07	0.53	4.81	6.56	2.31	0.81	2.75	2.188	0.875	3/16 x 1.63	3/16 x .500	1/2 x 3.00
EL832	12.50	10.00	0.56	6.52	0.60	0.38	0.69	7.50	8.11	10.50	3.25	4.00	4.13	2.07	0.53	5.00	6.75	2.31	0.88	2.75	2.188	0.875	3/16 x 1.63	3/16 x .500	1/2 x 3.00
EL842	14.69	12.00	1.19	7.52	0.63	0.35	0.69	8.50	9.63	11.69	4.25	4.50	3.75	1.88	0.53	6.15	9.57	3.47	0.88	2.75	2.188	1.250	1/4 x 2.50	1/4 x 2.50	1/2 x 3.00
EL852	17.75	14.00	0.97	8.84	0.97	0.69	0.81	10.50	11.50	12.25	5.25	4.25	5.25	2.63	0.66	7.55	10.88	3.38	1.13	4.26	3.438	1.250	1/4 X 3.00	1/4 x 3.00	7/8 x 4.00
EL860	20.25	16.00	0.81	11.00	0.81	0.81	0.81	10.38	13.50	14.25	6.00	5.00	5.38	2.89	0.66	7.88	10.99	3.00	1.13	3.74	3.438	1.500	3/8 x 3.00	3/8 x 2.75	7/8 x 4.00

**MOTOR MOUNTING DIMENSIONS**

**NEMA DIMENSIONS (Inches)**

Size	LM 56C/140TC	LM1 180TC / 210TC	L1 56C/140TC / 180TC / 210TC	LQ 56C/140TC	LQ1 180TC / 210TC	RQ 56C/140TC / 180TC / 210TC
EL813	6.07	--	3.82	--	3.79	--
EL818	5.89	--	3.64	--	4.42	--
EL821	6.26	--	4.00	--	4.79	--
EL824	6.48	7.30	4.29	4.29	4.77	4.09
EL826	7.04	7.86	4.88	4.88	5.33	4.82
EL830	7.67	8.31	5.38	5.38	5.97	5.32
EL832	7.86	8.50	5.56	5.56	6.16	5.51
EL842	11.25	12.53	9.57	9.57	6.45	6.04
EL852	12.65	13.93	10.88	10.88	7.85	7.35
EL860	--	11.94	10.99	10.99	--	--

**NEMA DIMENSIONS (Inches)**

Frame	AJ	AK	BD	BE	BE1	Bore Dia.	Keyway	BF
56C	5.88	4.50	6.50	0.38	N/A	.625	3/16 X 3/32	0.41
140TC	5.88	4.50	6.50	0.38	N/A	.875	3/16 X 3/32	0.41
180TC	7.25	8.50	9.00	N/A	0.50	1.125	1/4 X 1/8	0.53
210TC	7.25	8.50	9.00	N/A	0.50	1.375	5/16 X 5/32	0.53

- Max bore dimensions shown. For additional bores available, refer to page 128.
- ◆ Keyway width by depth
- \* Solid input shaft and C-faced coupling input reducers have different input shaft length and key.

Note: Torque arm bracket available separately. Refer to page 290 for kits. If a special bracket is required, refer to Style BMQ dimensions for mounting pad dimensions on top/bottom of reducer.

**WARNING** For safety, purchaser or user should provide protective guards over shaft extensions and any couplings, sheaves and belts, sprockets and chains, etc., mounted thereon.

**INTEGRAL GEARMOTOR INPUTS AVAILABLE**

— Contact Factory for price and availability.

**EL SERIES MOUNTING DIMENSIONS**

- EL Series mounting dimensions are the same as the original ELECTRA-GEAR product with an option to match the industry standard dimensions of GR Series.
- See page 52 for GR Series dimensions.

**ELECTRA-GEAR INTERCHANGE GUIDE**

Original Style	New Style
MHSC	HMQ
MHC	HM
MH	H
MH + "KV" Kit	H + "KV" Kit

Convert Style H to motorized coupling input using kits shown on page 290.

All dimensions shown are for reference only. Contact Factory for certified dimensions.