

BALDOR® • RELIANCE

Product Information Packet

ELECTRIC MOTOR WHOLESAL.COM

EM3157T-8

2HP,1750RPM,3PH,60HZ,145T,3525M,OPSB,F1

| Part Detail | | | | | | | |
|-------------|------|-------------|-------|----------------|----------|---------------|------------|
| Revision: | A | Status: | PRD/A | Change #: | | Proprietary: | No |
| Type: | AC | Prod. Type: | 3525M | Elec. Spec: | 35WGM921 | CD Diagram: | |
| Enclosure: | OPSB | Mfg Plant: | | Mech. Spec: | 35BB101 | Layout: | |
| Frame: | 145T | Mounting: | F1 | Poles: | 04 | Created Date: | 11-29-2010 |
| Base: | RG | Rotation: | R | Insulation: | F | Eff. Date: | 03-14-2011 |
| Leads: | 3#16 | Literature: | | Elec. Diagram: | | Replaced By: | |

Nameplate NP1259L

| | | | | | | | |
|--------------|---------------|----------------|------|-----|---|----|---|
| CAT.NO. | EM3157T-8 | | | | | | |
| SPEC. | 35BB101M921G1 | | | | | | |
| HP | 2 | | | | | | |
| VOLTS | 200 | | | | | | |
| AMP | 6.5 | | | | | | |
| RPM | 1750 | | | | | | |
| FRAME | 145T | HZ | 60 | PH | 3 | | |
| SER.F. | 1.15 | CODE | K | DES | B | CL | F |
| NEMA-NOM-EFF | 86.5 | PF | 77 | | | | |
| RATING | 40C AMB-CONT | | | | | | |
| CC | 010A | USABLE AT 208V | | | | | |
| DE | 6205 | ODE | 6203 | | | | |
| ENCL | OPSB | SN | | | | | |
| | | | | | | | |

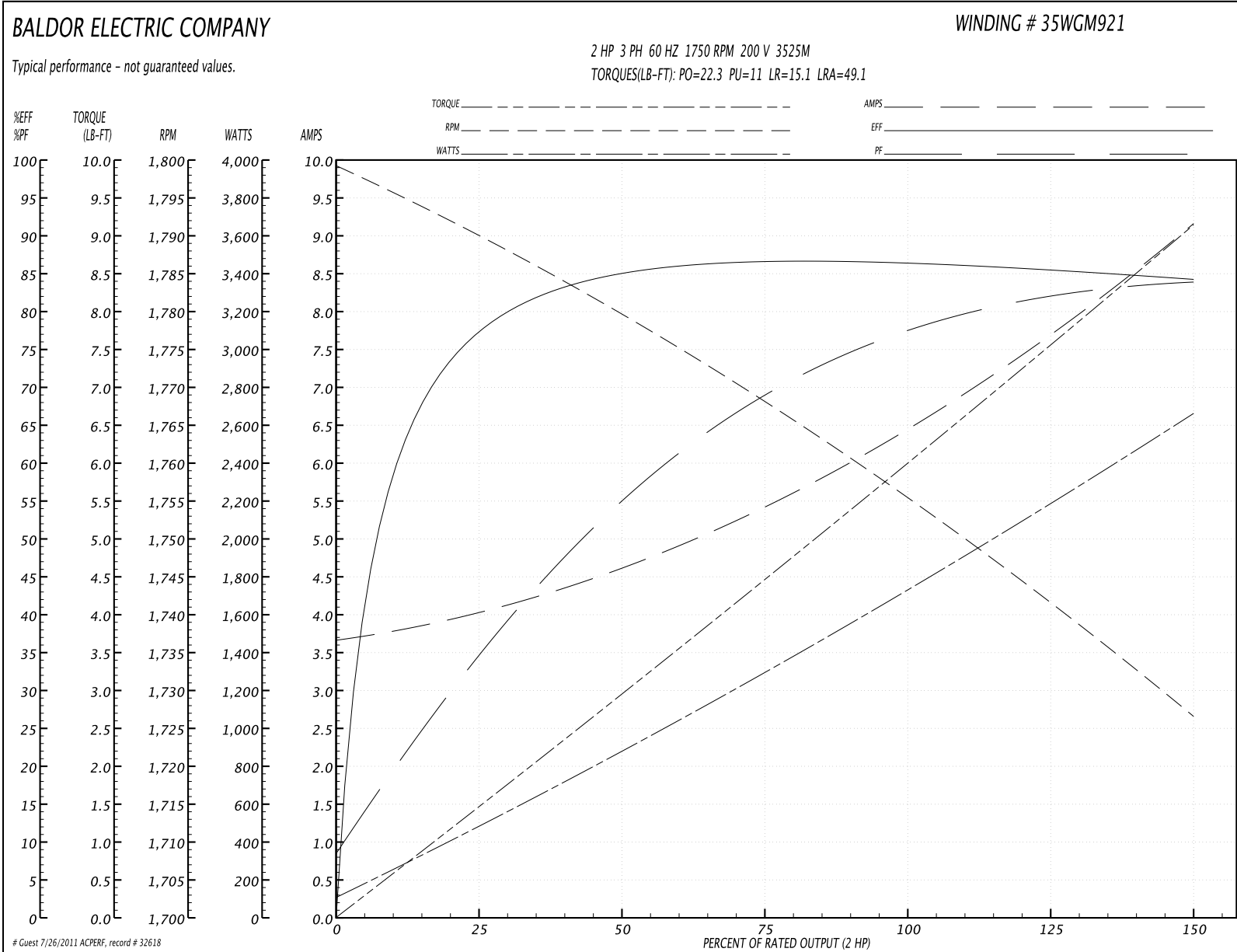
| Parts List | | |
|----------------|--|----------|
| Part Number | Description | Quantity |
| SA212577 | SA 35BB101M921G1 | 1.000 EA |
| RA199806 | RA 35BB101M921G1 | 1.000 EA |
| S/P107-000-001 | SUPER E PROC'S-FS & WS PLTS-POLYREX EM G | 1.000 EA |
| NS2512A01 | INSULATOR, CONDUIT BOX X | 1.000 EA |
| 35CB3009 | 35 CB CASTING W/1.09 DIA. LEAD HOLE @ 6: | 1.000 EA |
| 51XB1016A07 | 10-16 X 7/16 HXWSSLD SERTYB | 2.000 EA |
| 11XW1032G06 | 10-32 X .38, TAPTITE II, HEX WSHR SLTD U | 1.000 EA |
| 35EP3201A01 | STD FR ENDPLATE-OPEN-203 BRG W/GREASER | 1.000 EA |
| HW4500A01 | 1641B(ALEMITE)400 UNIV, GREASE FITT | 1.000 EA |
| HW5100A03SP | WAVY WASHER (W1543-017) | 1.000 EA |
| 35EP3200A01 | STD PU ENDPLATE-OPEN-205 BRG W/GREASER | 1.000 EA |
| HW4500A01 | 1641B(ALEMITE)400 UNIV, GREASE FITT | 1.000 EA |
| XY1032A02 | 10-32 HEX NUT DIRECTIONAL SERRATION | 4.000 EA |
| 35CB4521 | 35 LIPPED CB LID (GALV & PHOSPH) | 1.000 EA |
| 51XW0832A07 | 8-32 X .44, TAPTITE II, HEX WSHR SLTD SE | 4.000 EA |
| HW2501D13SP | KEY, 3/16 SQ X 1.375 | 1.000 EA |
| HA7000A01 | KEY RETAINER 7/8" DIA SHAFT | 1.000 EA |
| 85XU0407S04 | 4X1/4 U DRIVE PIN STAINLESS | 2.000 EA |
| MJ1000A75 | GREASE, POLYREX EM EXXON | 0.050 LB |
| MG1000Y03 | WILKO 689.710 GOLD PAINT SUPER E | 0.017 GA |
| 35AD2005A01 | BAFFLE PLATE,MOD 35-SLTD BAND MTRS TDR | 2.000 EA |
| HA3100A38 | THRUBOLT 10-32 X 9.375 | 4.000 EA |
| LB1119 | WARNING LABEL | 1.000 EA |
| LB1125C02 | SUPER-E (STOCK CTN LABEL SUPER-E WITH FL | 1.000 EA |

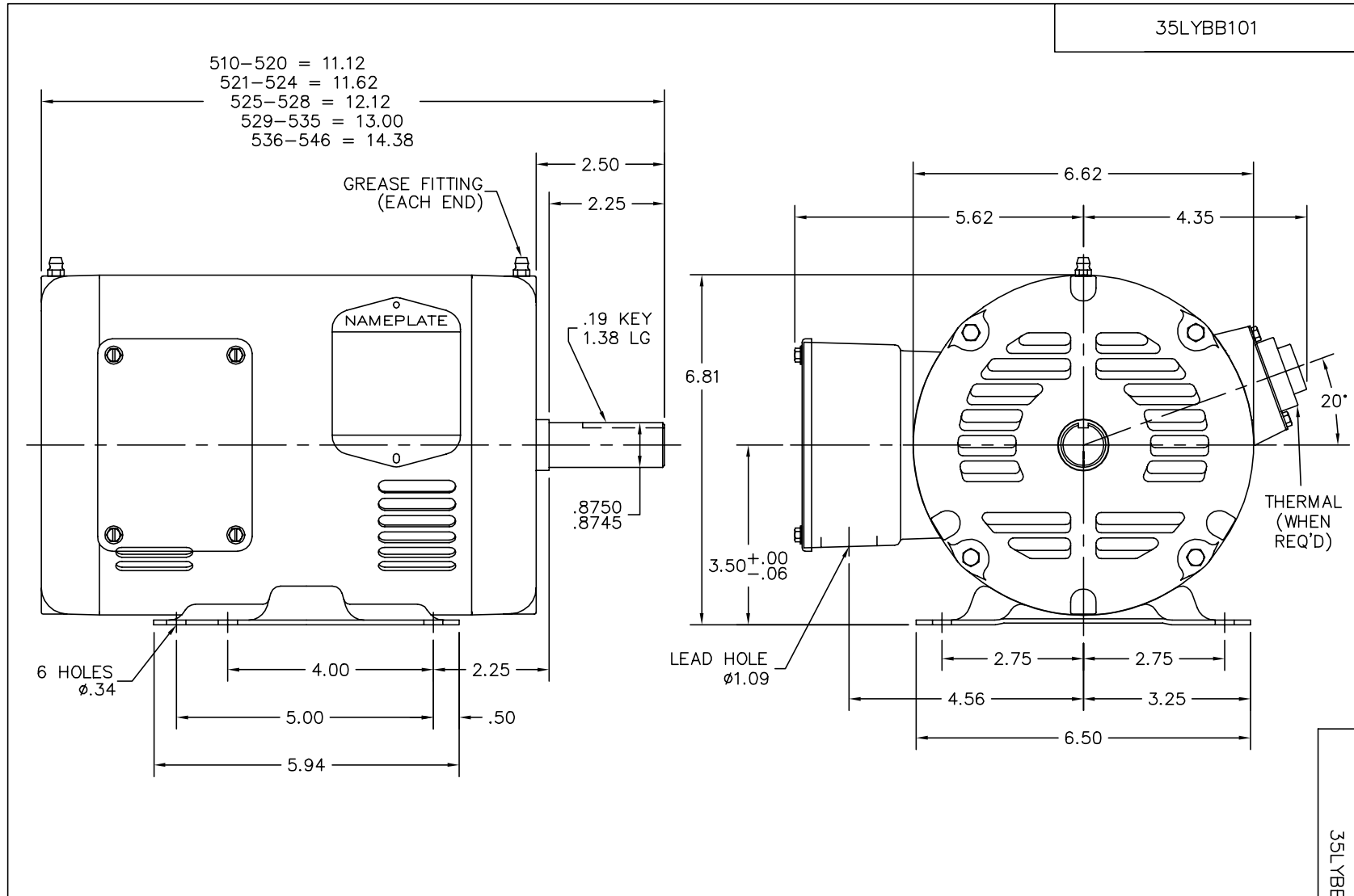
| Parts List (continued) | | |
|------------------------|--|----------|
| Part Number | Description | Quantity |
| LC0006 | CONNECTION LABEL | 1.000 EA |
| LB1357 | ENERGY GUIDE LABEL (BOX LABEL) | 1.000 SH |
| NP1259L | SUPER E, ALUM, UL CSA CC, W/O THERMAL, | 1.000 EA |
| PA1000 | PACKING GROUP 3500 SHORT | 1.000 EA |

| Accessories | | |
|--------------------|--------------------|-------------------|
| Part Number | Description | Multiplier |
| 35-8764 | C FACE KIT | A8 |
| 35EP1604A01SP | D-FLANGE KIT | A8 |

| Performance Data at 200V, 60Hz, 2.0HP (Typical performance - Not guaranteed values) | | | | | | | |
|---|--------------------------------|--------|--------|----------------------|------------|--------|--------|
| General Characteristics | | | | | | | |
| Full Load Torque: | 6.04 LB-FT | | | Start Configuration: | DOL | | |
| No-Load Current: | 3.72 Amps | | | Break-Down Torque: | 22.3 LB-FT | | |
| Line-line Res. @ 25°C.: | 1.73 Ohms A Ph / 0.0 Ohms B Ph | | | Pull-Up Torque: | 11.0 LB-FT | | |
| Temp. Rise @ Rated Load: | 39 C | | | Locked-Rotor Torque: | 15.1 LB-FT | | |
| Temp. Rise @ S.F. Load: | 47 C | | | Starting Current: | 49.1 Amps | | |
| Load Characteristics | | | | | | | |
| % of Rated Load | 25 | 50 | 75 | 100 | 125 | 150 | S.F. |
| Power Factor: | 36.0 | 56.0 | 69.0 | 77.0 | 81.0 | 85.0 | 79.0 |
| Efficiency: | 77.0 | 84.5 | 86.5 | 86.7 | 85.7 | 84.1 | 86.1 |
| Speed: | 1789.0 | 1779.0 | 1768.0 | 1756.0 | 1742.0 | 1726.0 | 1748.0 |
| Line Amperes: | 3.97 | 4.58 | 5.43 | 6.53 | 7.74 | 9.11 | 7.26 |

Performance Graph at 200V, 60Hz, 2.0HP Typical performance - Not guaranteed values





CUSTOMER IS RESPONSIBLE FOR DETERMINING THAT BALDOR'S PRODUCT WILL PERFORM SUITABLY IN THE INTENDED APPLICATION.

| | | |
|----------------------|-------------|------------------------------|
| REV. DESC: NEW | | |
| REV. LTR: - | VERSION: 00 | TDR: 000000539683 |
| FILE: \AAA\00176\446 | | REVISED: 09:02:52 10/25/2010 |
| MTL: - | | BY: ENGAMGO |

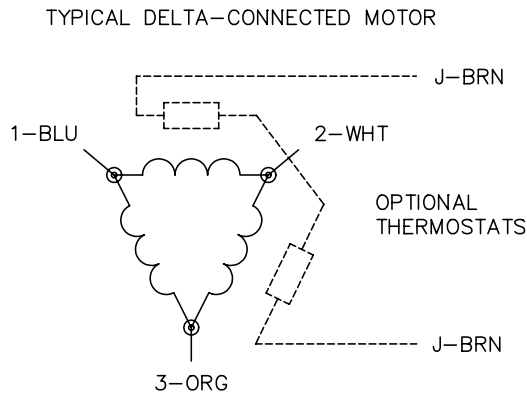
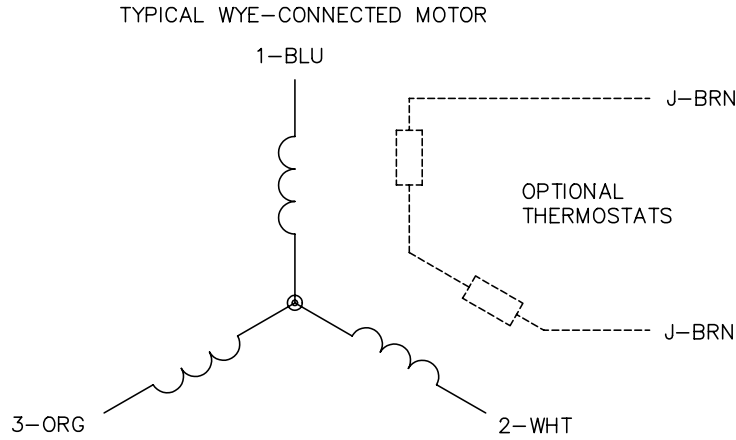
BALDOR

STD HORZ 143-5T OPSB 35M W/1.09 LEAD HOLE

SH 1 of 1

35LYBB101

CD0006



NOTES:

1. THREE LEAD MOTOR MAY BE EITHER WYE CONNECTED OR DELTA CONNECTED.
2. INTERCHANGE ANY TWO LINE LEADS TO REVERSE ROTATION.
3. OPTIONAL THERMOSTATS ARE PROVIDED WHEN SPECIFIED.
4. ACTUAL NUMBER OF INTERNAL PARALLEL CIRCUITS MAY VARY.
5. LEAD COLORS ARE OPTIONAL. LEADS MUST BE NUMBERED AS SHOWN.

| | | | |
|---|---------|------------------------|--------------|
| REV. DESC: REVISE TO SHOW OPTIONAL COLORS | | | |
| REV. LTR: D | BY: JLP | REVISED: 01/21/99 4:02 | TDR: 0171435 |
| 9000D | | FILE: AAA00005141 | MDL: - |
| | | MTL: - | |

BALDOR ELECTRIC Co.

3PH, SV, 3 LEADS, WYE OR DELTA CONNECTED

CD0006