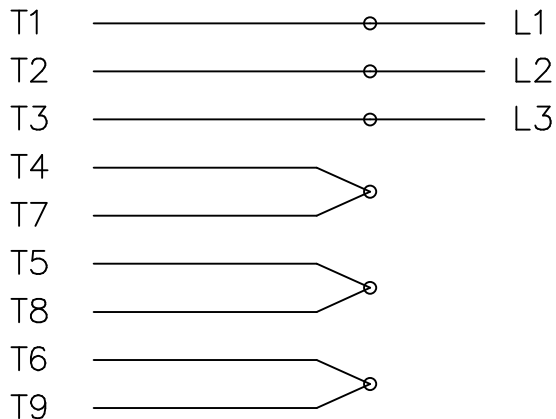
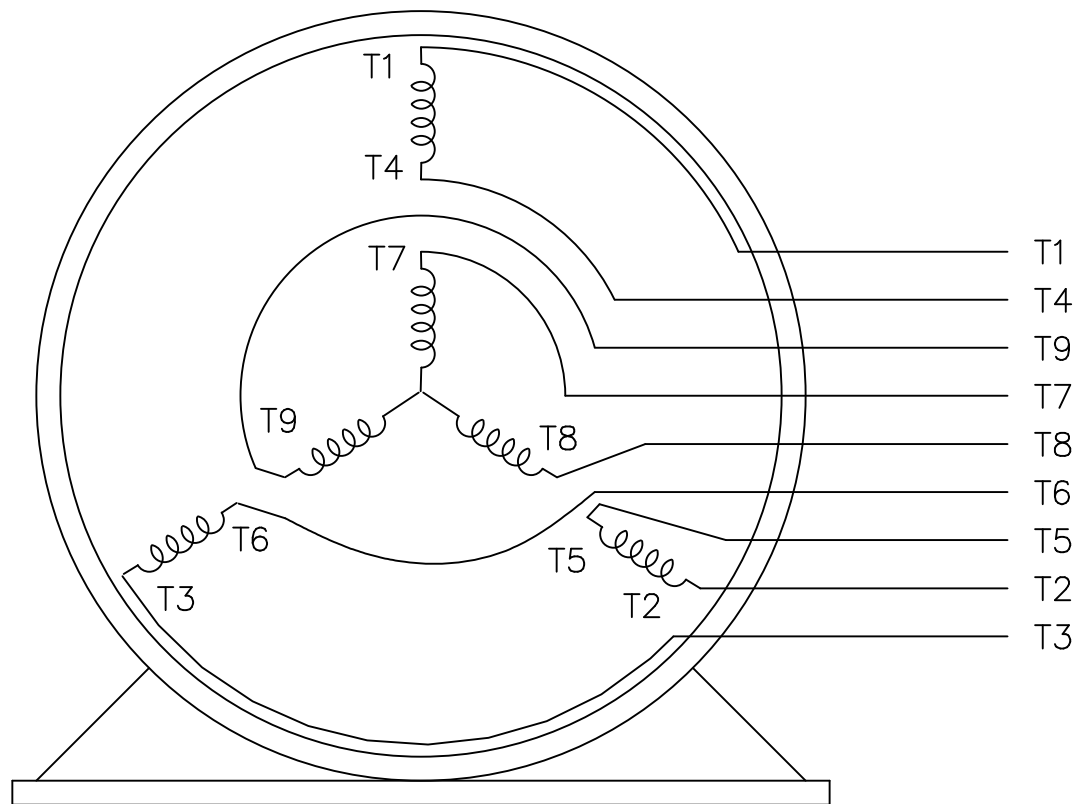
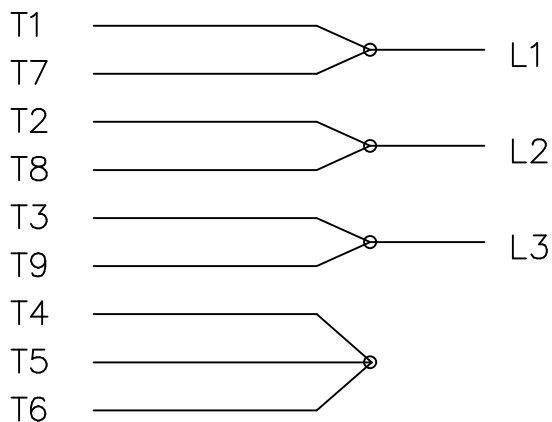


THREE PHASE
DUAL VOLTAGE MOTOR

HIGH VOLTAGE




LOW VOLTAGE



VIEW OF TERMINAL END

REF.
WINDING DIAGRAM

T8Y, T2Y, T2BL, T4BX, T2EC, T2G
T6BZ, T2B, T6BL, T4AV, T6B, T4B

				TOLERANCES UNLESS SPECIFIED		 ELECTRIC MOTORS GEARMOTORS AND DRIVES	DRAWN HLB 04-29-2002		
				DEC.	INCHES		CHK ML 05-03-2002		
				.X	±.1		APPD GK 05-03-2002		
				.XX	±.01		SCALE 1=1		
				.XXX	±.005		REF		
1	NEW DRAWING	HLB 05-03-2002	ML	.XXXX	±.0005	MAT'L.	FMF		
NO.	REVISION	BY & DATE	CHK	ANG	±1/2"	FINISH	PREV		
THIS DRAWING IN DESIGN AND DETAIL IS OUR PROPERTY AND MUST NOT BE USED EXCEPT IN CONNECTION WITH OUR WORK ALL RIGHTS OF DESIGN AND INVENTION ARE RESERVED THIS IS AN ELECTRONICALLY GENERATED DOCUMENT - DO NOT SCALE THIS PRINT				RFP	CAD FILE EE7308-LE		SIZE	DRAWING NO. PAGE OF	REV.
				DIST LB-WP			A	EE7308-LE	1