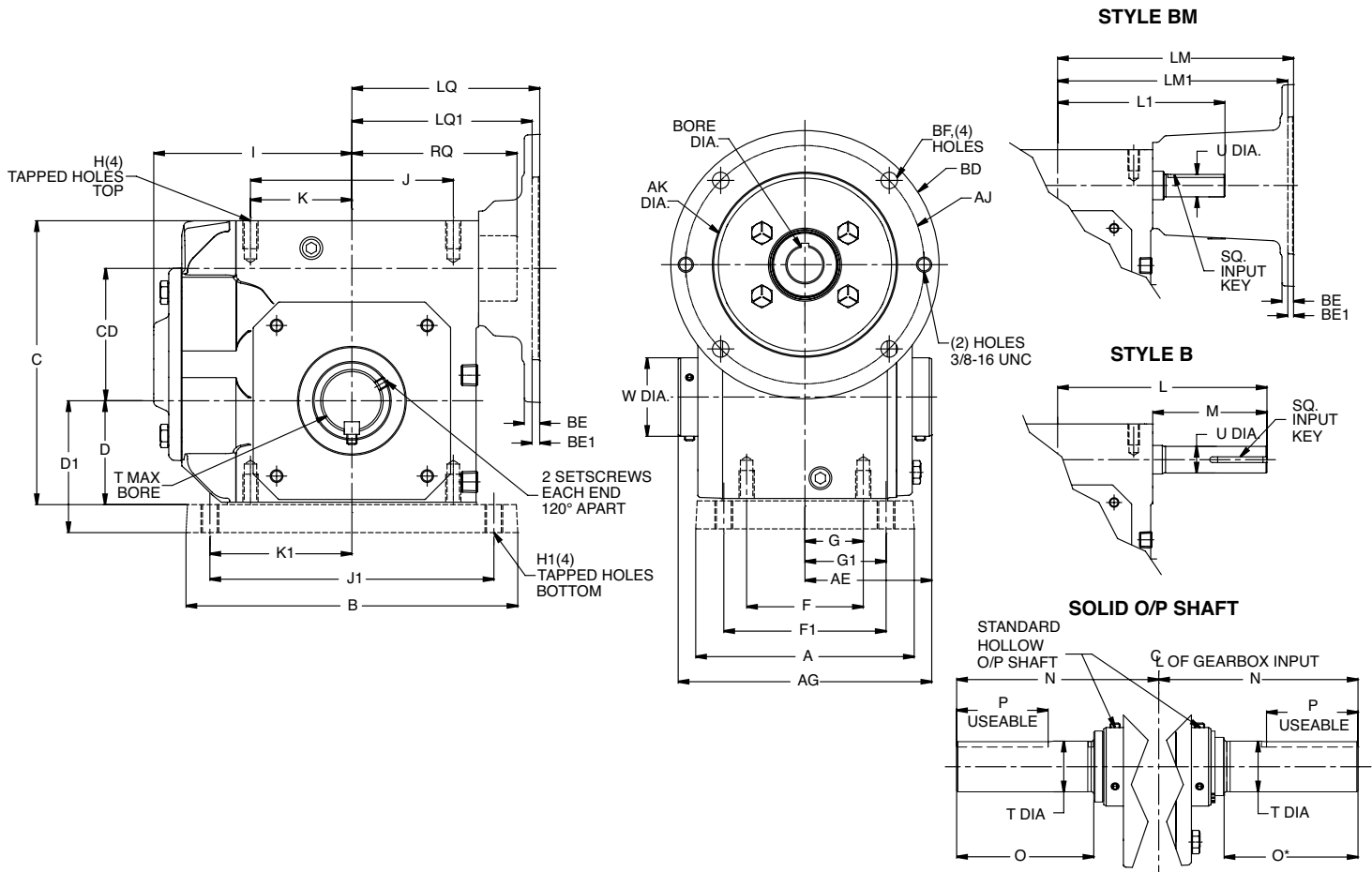


Dimensions

Style HMQ, HM, H • Hollow Output Shaft (Inches)

Reducer Size	A	AE	AG	B	C	CD	D	D1▼	F	F1▼	G	G1▼	H	H1▼	I	J	J1▼	K	K1▼	L	M	T MAX BORE -0.0000 +0.0015	
18HE	18HE	N/A		N/A	5.75	2.51	2.06	N/A	2.75	N/A	1.38	N/A	5/16-18	N/A	4.25	4.190	N/A	2.09	N/A	4.88	1.44	1.438	
	21HE	3.85	2.75	5.50				5.84		2.28		2.88		1.44			3/8-16		5.00	2.50	5.13		2.13
	23HE	3.87						5.86		2.50		2.88		1.44			3/8-16		5.00	2.50	5.31		2.75
24HE	24HE	4.06	3.13	6.25	6.94	3.26	2.50	N/A	2.88	N/A	1.44	N/A	3/8-16	N/A	4.88	5.00	2.50	N/A	N/A	5.50	2.00	1.500	
	26HE	4.43		7.11				2.94		3.38		1.69		3/8-16				6.38	1.59	6.31	2.81		
	30HE	5.24		8.11				3.25		4.00		2.00		7/16-14				7.00	1.75	6.88	3.44		
	32HE	5.74		8.49				3.50		4.00		2.00		7/16-14				7.50	1.88	7.44	4.00		
33HE	33HE	N/A	3.75	7.50	9.38	3.68	3.50	N/A	4.00	N/A	2.00	N/A	7/16-14	N/A	6.15	7.50	8.50	3.75	N/A	6.75	2.07	2.188	
	38HE	6.00		10.00				4.75		2.38		1/2-13		8.50					4.25	8.38	3.70		
	42HE	6.12		10.25				5.00		2.50		5/8-11		8.50					4.25	9.56	4.88		
43HE	43HE	N/A	4.75	9.50	11.38	5.96	4.44	N/A	5.00	N/A	2.50	N/A	5/8-11	N/A	8.36	8.50	11.00	5.00	N/A	7.63	2.07	3.438	
	52HE	7.20		13.00				5.81		2.91		5/8-11		11.00					5.50	9.56	4.00		
	60HE	8.14		14.50				6.38		3.19		5/8-11		12.75					6.38	10.69	5.00		

▼ Dimensions refer to "B Base" mounted to Size 18HE, 24HE, 33HE & 43HE reducer.



Style BMQ, BM, B • Solid Output Shaft Model (Inches)

Reducer Size		U -0.0000 +0.0015	W	I/P key Style (B,BM)	O/P key Style (B,BM,BMQ)
18HE	18HE	0.625	1.94	3/16 sq X 1-1/4	3/16 sq X 1-1/8
	21HE			1/4 sq X 1-1/2	
	23HE	0.750		3/16 sq X 1-1/2	1/4 sq X 1-3/4
24HE	24HE	0.750	1.94	3/16 sq. X 1-1/2	1/4 sq X 1-1/2
	26HE				1/4 sq X 1-3/4
	30HE	0.875			1/4 sq X 2-1/4
	32HE				5/16 sq X 2-3/8
33HE	33HE	0.875	2.62	1/4 sq. X 2-1/4	3/8 sq X 2-1/2
	38HE	1.000			1/2 sq X 3-1/4
	42HE	1.250			
43HE	43HE	0.875	4.25	3/16 sq X 1-1/2	1/2 sq X 2-1/2
	52HE	1.250		1/4 sq X 2-1/4	
	60HE			1/4 sq X 3	1/2 sq X 3-1/2

Reducer Size	N	O	O*	P	T +0.0000 -0.0015	
18HE	18HE	4.31	1.38	1.34	1.13	0.875
	21HE	4.69	1.76	1.72	1.50	1.000
	23HE	5.14	2.21	2.17	1.75	1.125
24HE	24HE	5.14	1.77	1.69	1.50	1.125
	26HE	5.63	2.25	2.18	2.00	1.125
	30HE	6.75	3.38	3.30	2.25	1.250
	32HE	7.06	3.69	3.64	2.50	1.375
33HE	33HE	7.06	3.06	3.00	2.50	1.375
	38HE	7.75	3.75	3.69	2.81	1.625
	42HE	8.12	4.12	4.03	3.31	1.875
43HE	43HE	8.12	3.06	3.00	2.56	1.875
	52HE	9.06	4.00	3.94	3.56	2.000
	60HE	10.00	4.94	4.88	3.56	2.250

Motor Mounting Dimensions

NEMA Dimensions (Inches)

Reducer Size	L1 All	LM 56/140TC	LM1 180TC/ 210TC	LQ 56/140TC	LQ1 180TC/210TC/ 250TC	RQ 56/140	RQ 180/210/ 250
18HE	18HE	5.32	7.57	N/A	4.44	N/A	3.88
	21HE						
	23HE						
24HE	24HE	5.51	7.76	8.76	4.63	5.06	4.07
	26HE						
	30HE						
	32HE						
33HE	33HE	6.75	9.00	10.00	5.57	6.33	5.01
	38HE						
	42HE						
43HE	43HE	7.63	9.88	10.88	6.45	7.21	5.89
	52HE						
	60HE						

NEMA Dimensions (Inches)

Frame	AJ	AK	BD	BE	BE1	Bore Dia.	Keyway♦	BF
48CZ	3.75	3.00	4.36	0.38	N/A	.500	1/8 X 1/16	0.28
56C	5.88	4.50	6.50	0.38	N/A	.625	3/16 X 3/32	0.41
140TC	5.88	4.50	6.50	0.38	N/A	.875	3/16 X 3/32	0.41
180TC	7.25	8.50	9.00	N/A	0.50	1.125	1/4 X 1/8	0.53
210TC	7.25	8.50	9.00	N/A	0.50	1.375	5/16 X 5/32	0.53
250TC	7.25	8.50	9.00	N/A	0.50	1.625	3/8 X 3/16	0.53

♦ Keyway width by depth