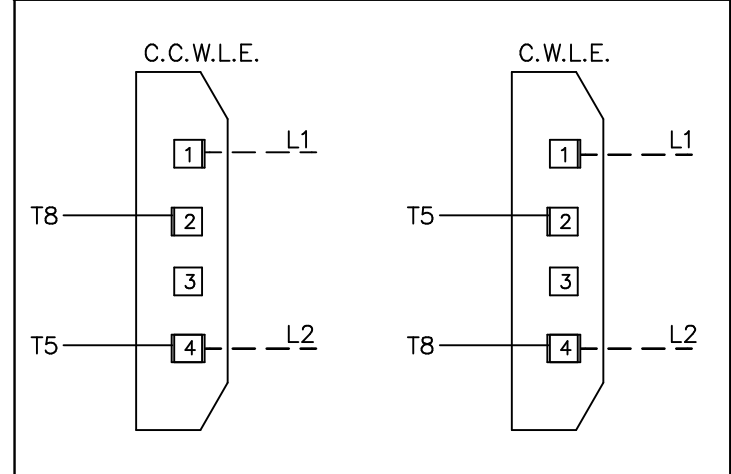
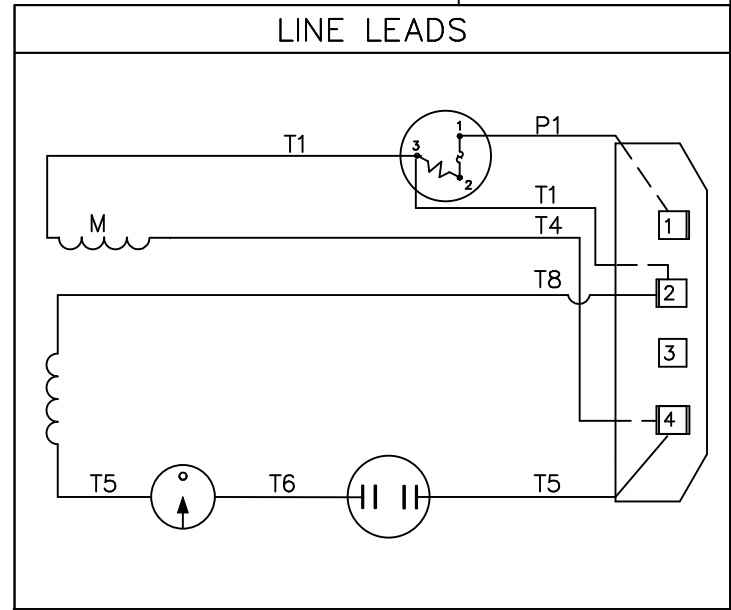
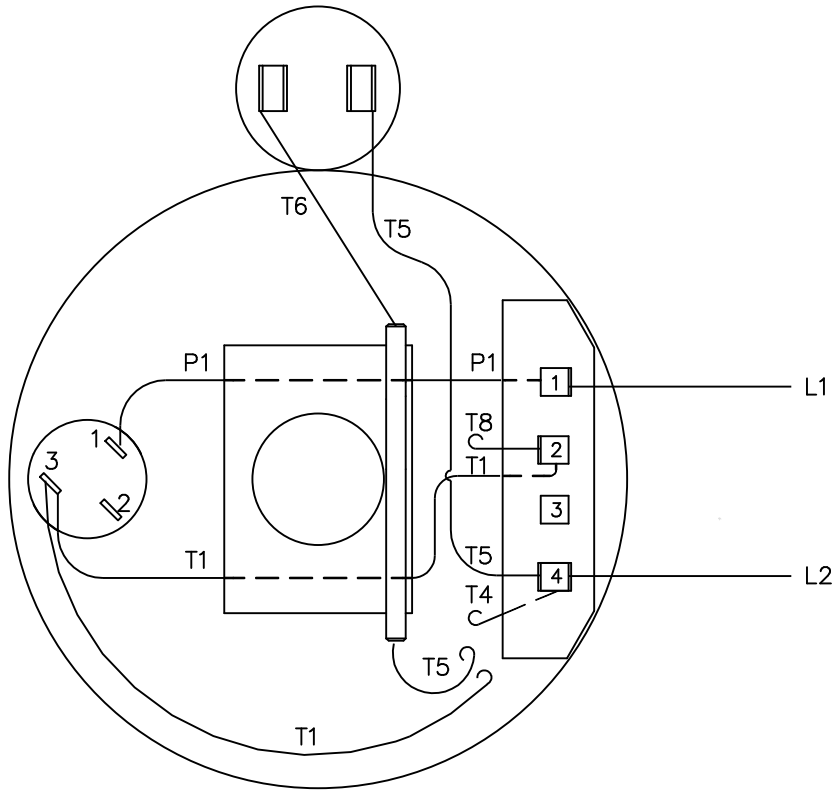


VIEW FROM OUTSIDE OF MOTOR AT SWITCH END.



				TOLERANCES UNLESS OTHERWISE SPECIFIED		<b>LEESON</b> ELECTRIC CORPORATION		
				DECIMALS				
				.00	± .01	DRAWN WLW 06/24/77	TITLE	
				.000	± .005	CH'K'D. TEM	EXTERNAL WIRING DIAGRAM	
03	REDRAWN ON CAD	DBT	06/16/97	.0000	± .0005	APPR. 06/29/77	TYPE "C" W/ PROTECTOR	
NO.	REVISION	BY	DATE	FRACTIONS	± 1/64	SCALE 1=1	MAT'L. DECAL - 004112	
THIS DRAWING IN DESIGN AND DETAIL IS OUR PROPERTY AND MUST NOT BE USED EXCEPT IN CONNECTION WITH OUR WORK ALL RIGHTS OF DESIGN AND INVENTION ARE RESERVED				ANGLES	± 1/2°	REF. C4G	FINISH	
				INCH/MM		FMF A4C17DR20	SIZE A	DRAWING NO. 005028-03