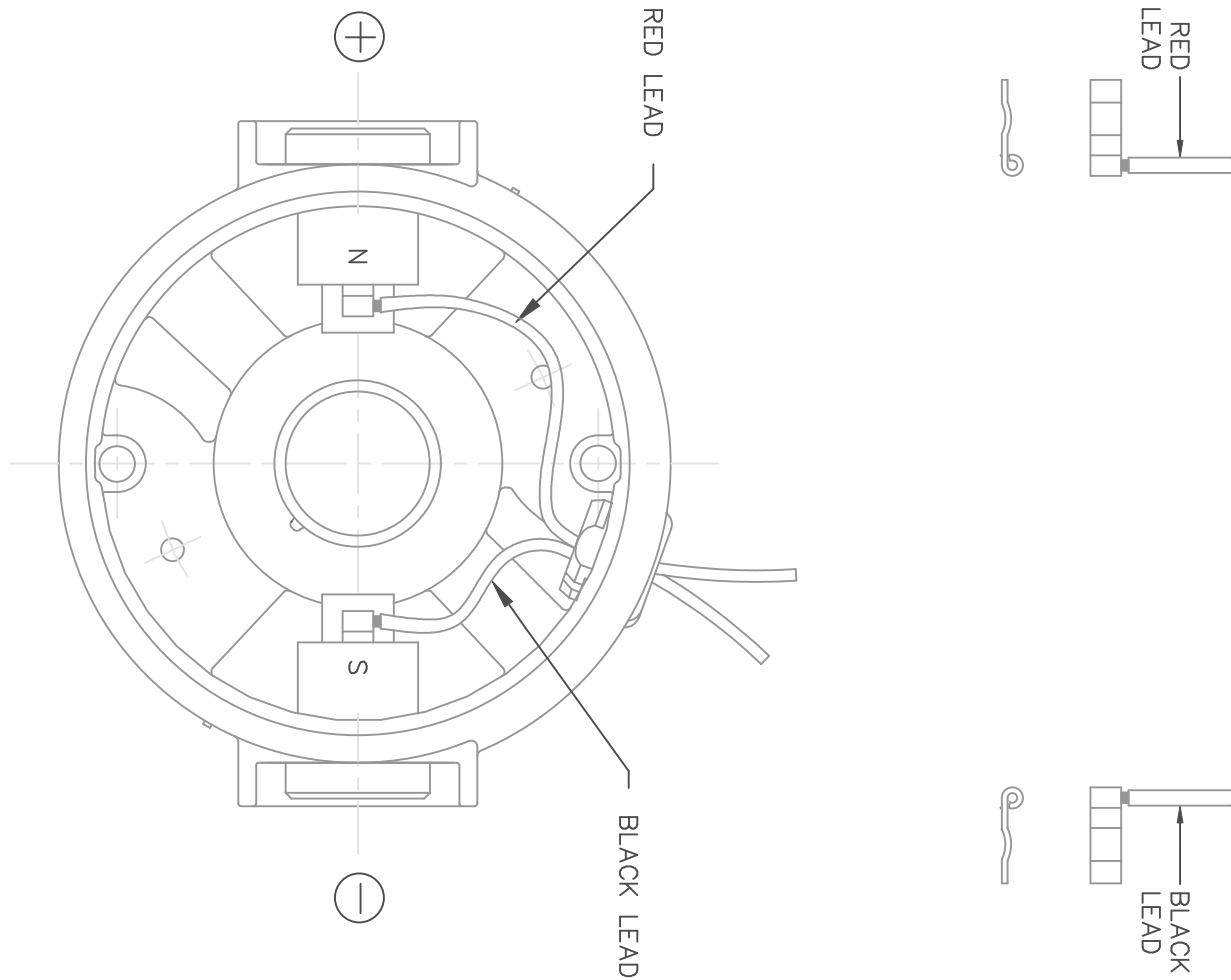



D.C. MOTORS



EXTERNAL CONNECTIONS FOR CW ROTATION  
 VIEWING LEAD END OF MOTOR WITH RED LEAD  
 POSITIVE (+) AND BLACK LEAD NEGATIVE (-)  
 FOR CCW ROTATION REVERSE POLARITY

				TOLERANCES UNLESS SPECIFIED		 ELECTRIC MOTORS GEARMOTORS AND DRIVES	DRAWN IPG 4/8/05 CHK SAD 4/8/05 APPD SCALE 1=1 REF PR040117-RD1 FMF M1120085.00 PREV	
				DEC.	INCHES		TITLE	CONNECTION DIAGRAM
				.X	±.1			
				.XX	±.01			
				.XXX	±.005			
00	RELEASED: REF. PR040117-RD1	IPG	4/8/05	SAD	.XXXX	±.0005	MAT'L.	
NO.	REVISION	BY & DATE		CHK	ANG	±1/2'	FINISH	
THIS DRAWING IN DESIGN AND DETAIL IS OUR PROPERTY AND MUST NOT BE USED EXCEPT IN CONNECTION WITH OUR WORK ALL RIGHTS OF DESIGN AND INVENTION ARE RESERVED THIS IS AN ELECTRONICALLY GENERATED DOCUMENT - DO NOT SCALE THIS PRINT				RFP	CAD FILE		SIZE	
				DIST	M100530801		DRAWING NO.	
						A	M1005308.01	
							REV.	
							00	