

BALDOR® • RELIANCE

Product Information Packet

ELECTRIC MOTOR WHOLESAL.COM

JPM3311T

7.5HP,1770RPM,3PH,60HZ,213JP,3731M,OPSB

Part Detail							
Revision:	-	Status:	PRD/A	Change #:		Proprietary:	No
Type:	AC	Prod. Type:	3731M	Elec. Spec:	37WGS907	CD Diagram:	
Enclosure:	OPSB	Mfg Plant:		Mech. Spec:	37F810	Layout:	
Frame:	213JP	Mounting:	F1	Poles:	04	Created Date:	08-26-2010
Base:	RG	Rotation:	R	Insulation:	F	Eff. Date:	09-10-2010
Leads:	9#14	Literature:		Elec. Diagram:		Replaced By:	

Nameplate NP1256L

CAT.NO.	JPM3311T						
SPEC.	37F810S907H1						
HP	7.5						
VOLTS	208-230/460						
AMP	22-20.2/10.1						
RPM	1770						
FRAME	213JP	HZ	60	PH	3		
SER.F.	1.15	CODE	K	DES	A	CLASS	F
NEMA-NOM-EFF	88.5	PF	77				
RATING	40C AMB-CONT						
CC	010A	USABLE AT 208V					
DE	6309	ODE	6206				
ENCL	OPSB	SN					

Parts List		
Part Number	Description	Quantity
SA202651	SA 37F810S907H1	1.000 EA
RA189928	RA 37F810S907H1	1.000 EA
S/P101-000-000	EPACT PROCEDURES-FS PLANT-POLYREX EM, NO	1.000 EA
HA6361A01	LIFTING LUG FOR 37, 39 & 40 FRAME (AUTOP	2.000 EA
37CB3006	37 CB CASTING W/1.38 LEAD HOLE @ 6:00	1.000 EA
51XW2520A10	.25-20 X .62, TAPTITE II, HEX WSHR SLTD	2.000 EA
11XW1032G06	10-32 X .38, TAPTITE II, HEX WSHR SLTD U	1.000 EA
37EP3200A31	FR ENDPLATE, 37L&M, OPEN, MACH, W/GREASE	1.000 EA
HW4500A01	1641B(ALEMITE)400 UNIV, GREASE FITT	1.000 EA
HW4500A17	317400 ALEMITE GREASE RELIEF	1.000 EA
HA1104A01	RODENT SCREEN 37 FRAME 206 BRG FRONT END	1.000 EA
51XW1032A06	10-32 X .38, TAPTITE II, HEX WSHR SLTD S	4.000 EA
HW1000A10	#10 FLAT WASHER (SAE)	4.000 EA
HW5100A06	W2420-025 WVY WSHR (WB)	1.000 EA
37EP3401A11	PUEP 309 BRG W/METAL SLINGER, GRS & RELI	1.000 EA
HW4500A01	1641B(ALEMITE)400 UNIV, GREASE FITT	1.000 EA
HW4500A17	317400 ALEMITE GREASE RELIEF	1.000 EA
HA1222	RODENT SCREEN - 37 C-FACE MOTORS	4.000 EA
51XW1032A06	10-32 X .38, TAPTITE II, HEX WSHR SLTD S	4.000 EA
HW1000A10	#10 FLAT WASHER (SAE)	4.000 EA
10XN2520A36	1/4-20X 2 1/4 HEX HD X	4.000 EA
HW1001A25	LOCKWASHER 1/4, ZINC PLT .493 OD, .255 I	4.000 EA
XY3118A12	5/16-18 HEX NUT DIRECTIONAL SERRATION	4.000 EA
37CB4516	LIPPED LID FOR 37 FRAME NEC KOBX	1.000 EA

Parts List (continued)		
Part Number	Description	Quantity
51XW0832A07	8-32 X .44, TAPTITE II, HEX WSHR SLTD SE	4.000 EA
HA2009A02	SLINGER MODEL 37 PUMP MOTORS-2.75 DIA. A	1.000 EA
80XN1032A06	10-32 X 3/8 SET SC HEX SOCK	1.000 EA
HW2501E21	KEY, 1/4 SQ X 2.375	1.000 EA
HA7000A02	KEY RETAINER RING, 1 1/8 DIA, 1 3/8 DIA	1.000 EA
LB1115	LABEL,LIFTING DEVICE	1.000 EA
85XU0407S04	4X1/4 U DRIVE PIN STAINLESS	2.000 EA
MJ1000A75	GREASE, POLYREX EM EXXON	0.050 LB
MG1000G27	PAINT- S9282E CHARCOAL GREY	0.028 GA
HA3104A39	THRUBOLT-5/16-18 X 12.250	4.000 EA
37AD2001A01	BAFFLE PLATE, STAMPED	2.000 EA
LB1125C04	STD-E (STOCK CTN LABEL STD-E WITH FLAG)	1.000 EA
LC0005E01	CONN.DIA./WARNING LABEL (LC0005/LB1119)	1.000 EA
NP1256L	ALUM, UL CSA CC, W/O THERMAL, LASER	1.000 EA
G0PA1000	PACKAGING GROUP	1.000 EA
PK3085	STYROFOAM SHAFT SUPPORT ZELLERBACH	1.000 EA

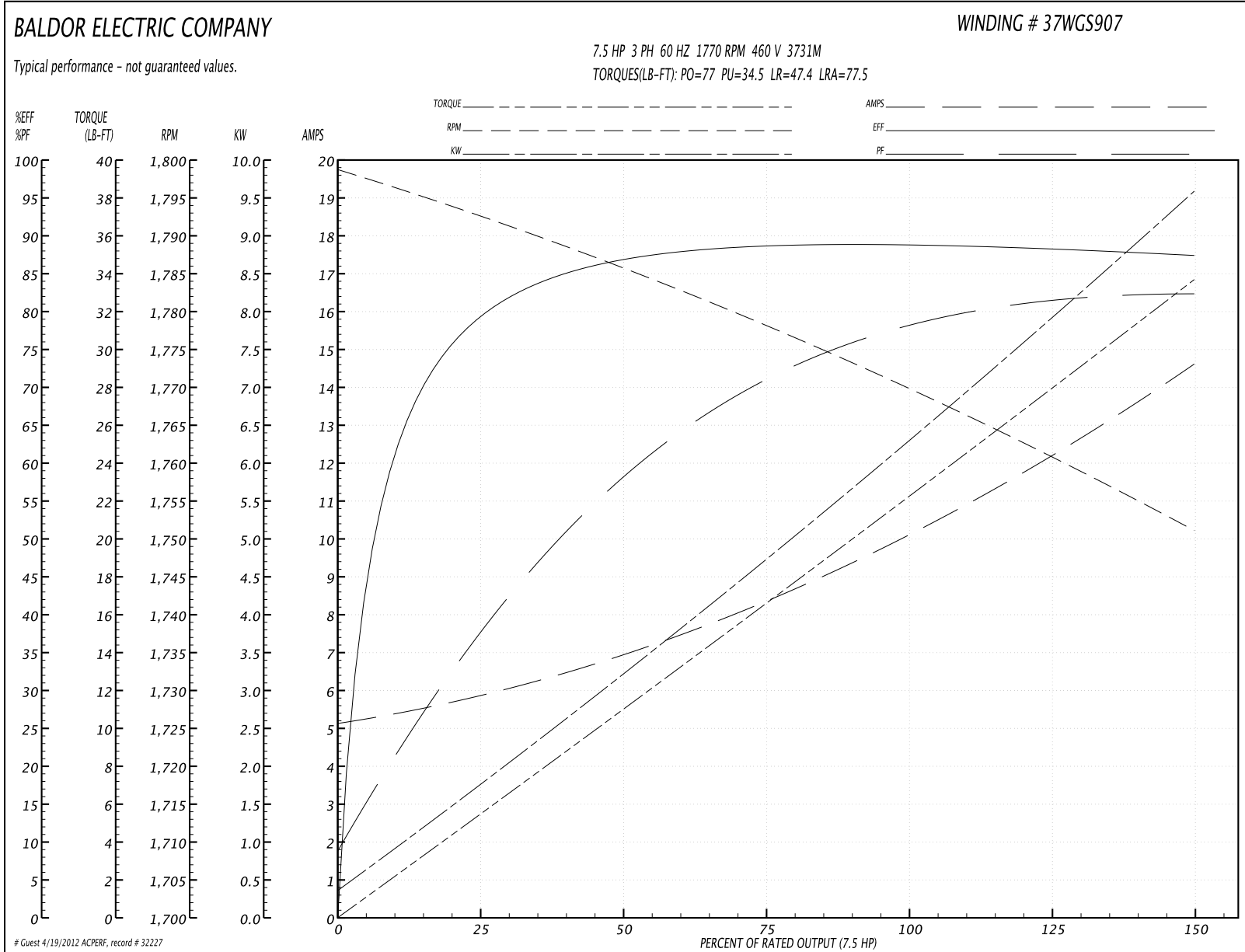
Performance Data at 460V, 60Hz, 7.5HP (Typical performance - Not guaranteed values)
General Characteristics

Full Load Torque:	22.2 LB-FT	Start Configuration:	DOL
No-Load Current:	5.25 Amps	Break-Down Torque:	77.0 LB-FT
Line-line Res. @ 25°C.:	1.37 Ohms A Ph / 0.0 Ohms B Ph	Pull-Up Torque:	34.5 LB-FT
Temp. Rise @ Rated Load:		Locked-Rotor Torque:	47.4 LB-FT
Temp. Rise @ S.F. Load:		Starting Current:	77.5 Amps

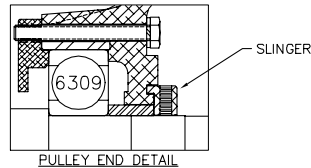
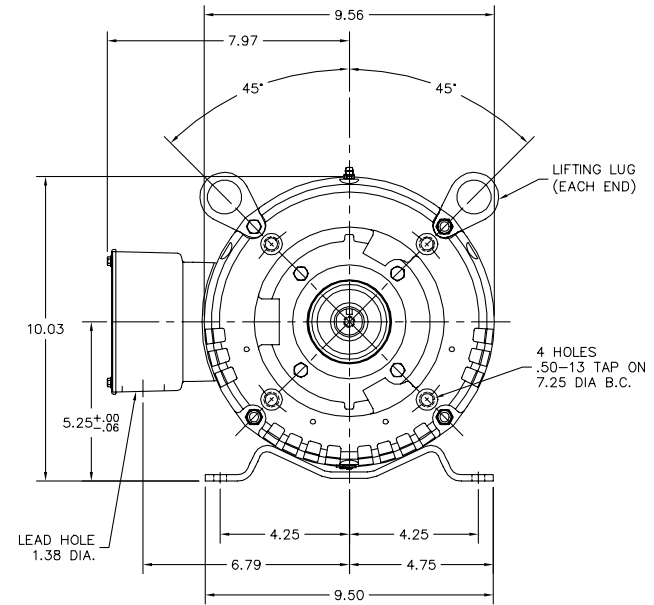
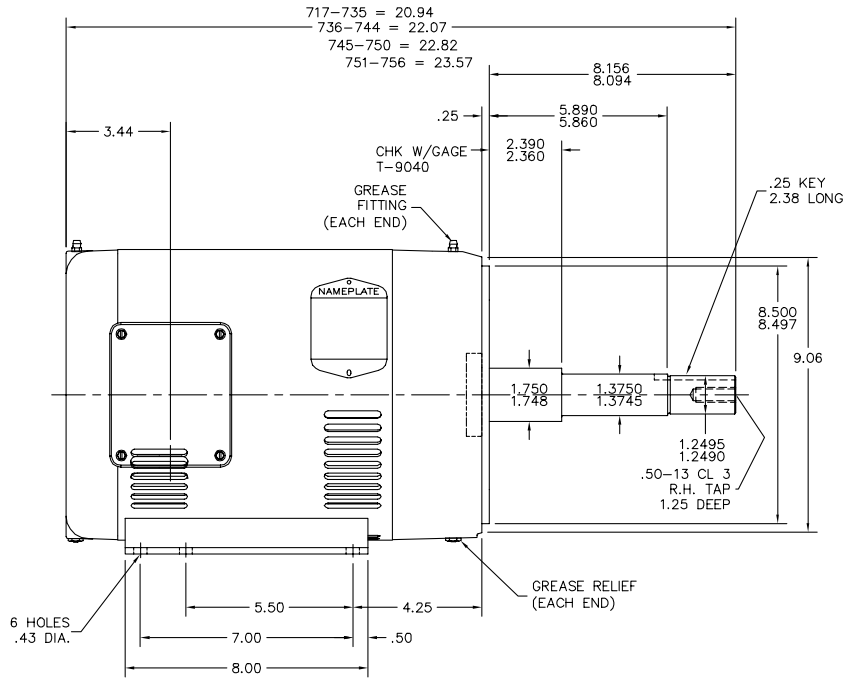
Load Characteristics

% of Rated Load	25	50	75	100	125	150	S.F.
Power Factor:	39.0	59.0	71.0	77.0	81.0	83.0	79.0
Efficiency:	78.8	86.7	88.6	89.2	88.1	87.4	88.5
Speed:	1792.0	1786.0	1778.0	1770.0	1761.0	1751.0	1765.0
Line Amperes:	5.75	6.83	8.39	10.2	12.3	14.5	11.5

Performance Graph at 460V, 60Hz, 7.5HP Typical performance - Not guaranteed values



37LYF810



CUSTOMER IS RESPONSIBLE FOR DETERMINING THAT BALDOR'S PRODUCT WILL PERFORM SUITABLY IN THE INTENDED APPLICATION.

REV. DESC: UPDATE GRAPHICS FOR SLINGER	VERSION: 01	TDR: 000000489767
REV. LTR: D	REVISED: 08:34:30 02/10/2009	BY: ENBRAMO
FILE: \AAA\00031\337		
MTL: -		

BALDOR • DODGE • RELIANCE

HORZ 213-5JP OPEN 37M W/SCREENS

SH 1 of 1

37LYF810

CD0005

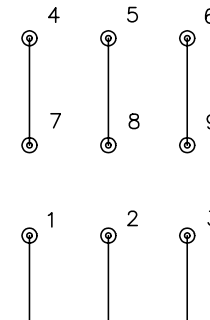


LOW VOLTAGE
(2Y)



LINE

HIGH VOLTAGE
(1Y)



LINE

NOTES:

1. INTERCHANGE ANY TWO LINE LEADS TO REVERSE ROTATION.
2. OPTIONAL THERMOSTATS ARE PROVIDED WHEN SPECIFIED.
3. ACTUAL NUMBER OF INTERNAL PARALLEL CIRCUITS MAY BE A MULTIPLE OF THOSE SHOWN ABOVE.
4. LEAD COLORS ARE OPTIONAL. LEADS MUST ALWAYS BE NUMBERED AS SHOWN.

REV. DESC: REVISE TO SHOW OPTIONAL COLORS			
REV. LTR: E	BY: JLP	REVISED: 01/19/99 10:15	TDR: 0171435
90000		FILE: AAA00005140	MDL: -
		MTL: -	

BALDOR ELECTRIC Co.

3PH, DV, 9 LEADS

CD0005