

BALDOR® • RELIANCE

Product Information Packet

ELECTRIC MOTOR WHOLESAL.COM

VLCP2334T

20HP,1760RPM,3PH,60HZ,256LP,0938M,TEFC

Part Detail							
Revision:	U	Status:	PRD/A	Change #:		Proprietary:	No
Type:	AC	Prod. Type:	0938M	Elec. Spec:	09WGX857	CD Diagram:	
Enclosure:	TEFC	Mfg Plant:		Mech. Spec:	09T01	Layout:	
Frame:	256LP	Mounting:	F1	Poles:	04	Created Date:	
Base:	N	Rotation:	R	Insulation:	F	Eff. Date:	11-02-2011
Leads:	9#12	Literature:		Elec. Diagram:		Replaced By:	

Nameplate NP1258E							
CAT.NO.	VLCP2334T						
SPEC.	09T001X857G1						
HP	20						
VOLTS	230/460						
AMP	48/24						
RPM	1760						
FRAME	256LP	HZ	60	PH	3		
SER.F.	1.15	CODE	G	DES	B	CL	F
NEMA-NOM-EFF	91	PF	85				
RATING	40C AMB-CONT						
CC				USABLE AT 208V	51		
DE	QJ213	ODE	6208				
ENCL	TEFC	SN					

Nameplate NP0090E	
FRONT	6208
PULLEY	QJ213
LUBRICATE WITH	
GREASE	POLYREX EM

Parts List		
Part Number	Description	Quantity
SA078447	SA 09T001X857G1	1.000 EA
RA071933	RA 09T001X857G1	1.000 EA
09CB1002A13P	KOBX W/1.50 NPT LEAD HL,2.38 MTG HL PATT	1.000 EA
09GS1010	GASKET, DWG, LEADWIRE SEPERATOR	1.000 EA
10XN2520K12	1/4-20 X.75 GRD 5	4.000 EA
HW1001A25	LOCKWASHER 1/4, ZINC PLT .493 OD, .255 I	4.000 EA
HA3400A33	STUD- 3/8-16 X 4.82 HEX WELKER	4.000 EA
WD1000B16	KPA-4C BURNDY TERMINAL	1.000 EA
10XN2520K06	1/4-20 X 3/8" HX HD SCREWGRADE 5, ZINC P	1.000 EA
HW1001A25	LOCKWASHER 1/4, ZINC PLT .493 OD, .255 I	1.000 EA
HA4051A00	PLASTIC CAP FOR GREASE FITTING	1.000 EA
HW4600B44SP	V-RING SLINGER 1.500 X 2.290 X 0.280	1.000 EA
HW5100A08	W3118-035 WVY WSHR (WB)	1.000 EA
HW4600B43	V-RING SLINGER 2.880/3.070 SHAFT BORE	1.000 EA
10XN2520K28	1/4-20 X 1.75" HX HD SCRWGRADE 5, ZINC P	2.000 EA
10XN3118K56	5/16-18 X 3.50" HEX HD, GRADE 5	4.000 EA
09EP1505A02P	PULLEY ENDPLATE, MACH W/EPOXY PRIMER	1.000 EA
HA4051A00	PLASTIC CAP FOR GREASE FITTING	1.000 EA
10XN3816K24	3/8-16 X 1.50 HEX HD CAP SCREW, GRADE 5	4.000 EA
HW4600B42	V-RING SLINGER 2.375 X 3.070 X 0.280	1.000 EA
09FH1000A11P	FAN COVER, MACH P-BASE W/EPOXY PRIMER	1.000 EA
HW1001A38	LOCKWASHER 3/8, ZINC PLT .688 OD, .382 I	4.000 EA
HW1001A38	LOCKWASHER 3/8, ZINC PLT .688 OD, .382 I	4.000 EA
XY3816A12	3/8-16 FINISHED NUT	4.000 EA

Parts List (continued)		
Part Number	Description	Quantity
HA6387	SPL EYE BRACKET 309-10 FRCR. STEEL P-BAS	2.000 EA
10XN3816K20	3/8-16 X 1.25 HEX HD CAP GRADE 5	4.000 EA
HW1001A38	LOCKWASHER 3/8, ZINC PLT .688 OD, .382 I	4.000 EA
HW1001A38	LOCKWASHER 3/8, ZINC PLT .688 OD, .382 I	4.000 EA
XY3816A12	3/8-16 FINISHED NUT	4.000 EA
09FH1500A01P	DRIP COVER, MACH W/EPOXY PRIMER	1.000 EA
10XN2520K30	STD.25X20 THD HEX HD CAP SCREW, GRADE 5	4.000 EA
HW1000A25	1/4 SAE FLAT WASHER (FS)	4.000 EA
HW1001A25	LOCKWASHER 1/4, ZINC PLT .493 OD, .255 I	4.000 EA
12CB1503A01P	KOLD MACH, W/LIP & EPOXY PRIMER	1.000 EA
12GS1002	GASKET, CONDUIT BOX LID, NEOP	1.000 EA
MJ5001A14	DYNAPRO SEAL, CP MOTORS VC#2508050 (603	0.001 EA
10XN3118K18	5/16-18X1-1/8 HEX HD GR5	2.000 EA
HW1001A31	LOCKWASHER 5/16, ZINC PLT.591 OD, .319 I	2.000 EA
HW2501G18	SQUARE STEEL KEY .375 X 2.00 LONG	1.000 EA
MJ5001A01	46-665 RED SEALER	0.031 QT
LB1115	LABEL,LIFTING DEVICE	1.000 EA
PK6014	STEEL STRAP FOR 309-312 BASELESS MOTORS	3.000 EA
10XN3816K10	BOLT, 3/8-16 X 5/8 HHCS YZ	3.000 EA
09EP1100A28GP6	ENDPLATE,MACH,PRIMED, W/RELIANCE GREEN	1.000 EA
HW4500A05	1669B ALEM/UNIV860 GR FTG X	1.000 EA
HW4500A17	317400 ALEMITE GREASE RELIEF	1.000 EA
MJ1000A75	GREASE, POLYREX EM EXXON	0.080 LB
HW4500A03	GREASE FITTING, .125 NPT 1610(ALEMITE) 8	1.000 EA

Parts List (continued)		
Part Number	Description	Quantity
HW4500A17	317400 ALEMITE GREASE RELIEF	1.000 EA
MG1025N19	PAINT, 778.50 WILKO, RELIANCE ELEC GREEN	0.050 GA
85XU0407S04	4X1/4 U DRIVE PIN STAINLESS	4.000 EA
LB5040	INSTRUCTION TAG, AC & DC	1.000 EA
LB1002	LABEL,MARINE DUTY (ON ROLLS)	1.000 EA
LB1182	WARNING LABEL FOR MOTORS WITH EYENUTS	2.000 EA
MJ5001A14	DYNAPRO SEAL, CP MOTORS VC#2508050 (603	0.023 EA
09FN3001C01	EXTERNAL FAN, PLASTIC	1.000 EA
51XB1214A20	12-14X1.25 HXWSSLD SERTYB	1.000 EA
HW2500A25	WOODRUFF KEY USA #1008 #BLOW CARBON STEE	1.000 EA
LB1119	WARNING LABEL	1.000 EA
LB1125C01	STD (STOCK) CARTON LABEL BALDOR WITH FLA	4.000 EA
LC0181	CONNECTION LABEL	1.000 EA
NP1258E	SS CP UL CSA CC	1.000 EA
NP0090E	SS NO LOGO'S BEARING & GREASE DATA	1.000 EA
18PA1014	PKG. GRP., 09-10 VERTICAL MOUNT	1.000 EA

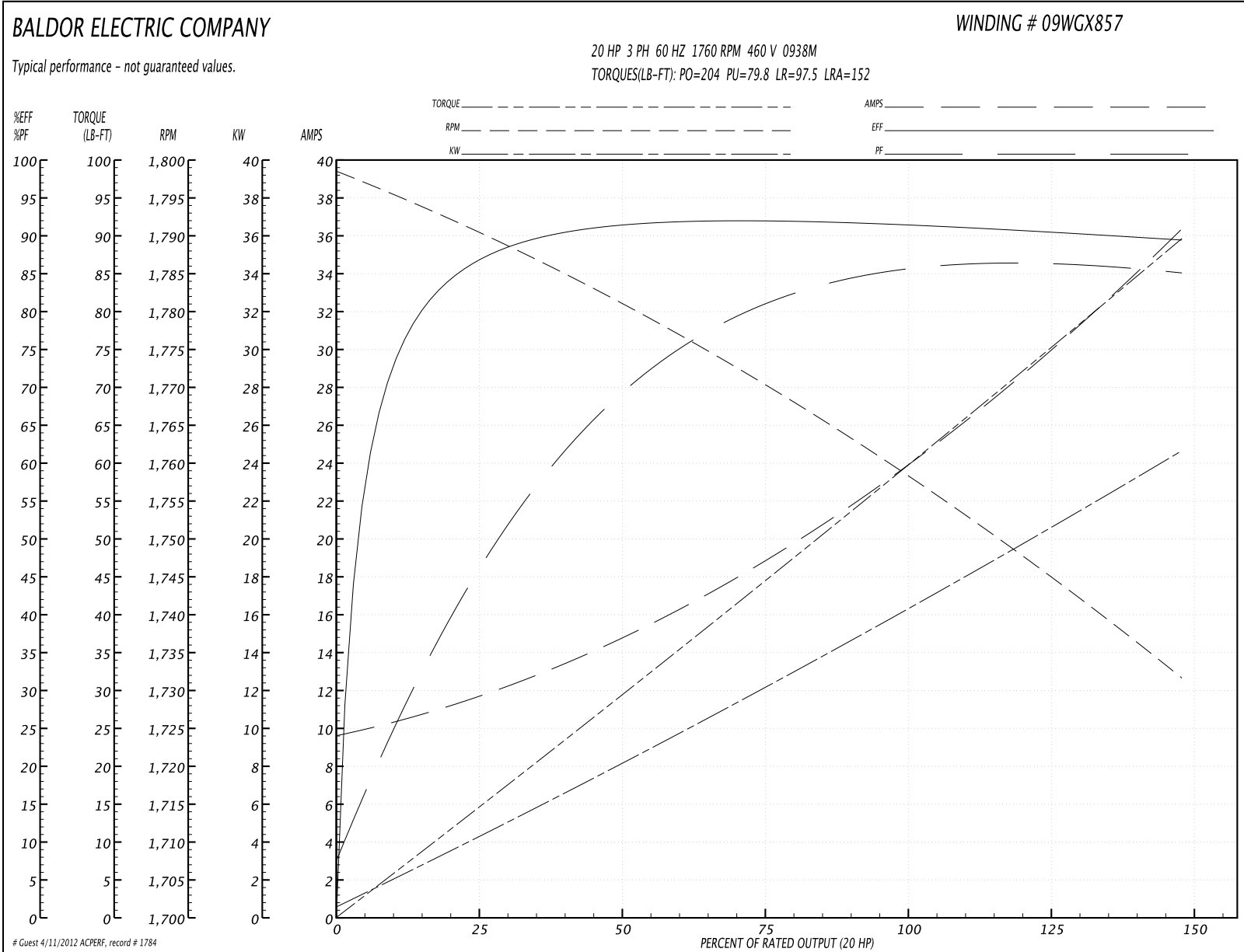
Performance Data at 460V, 60Hz, 20.0HP (Typical performance - Not guaranteed values)
General Characteristics

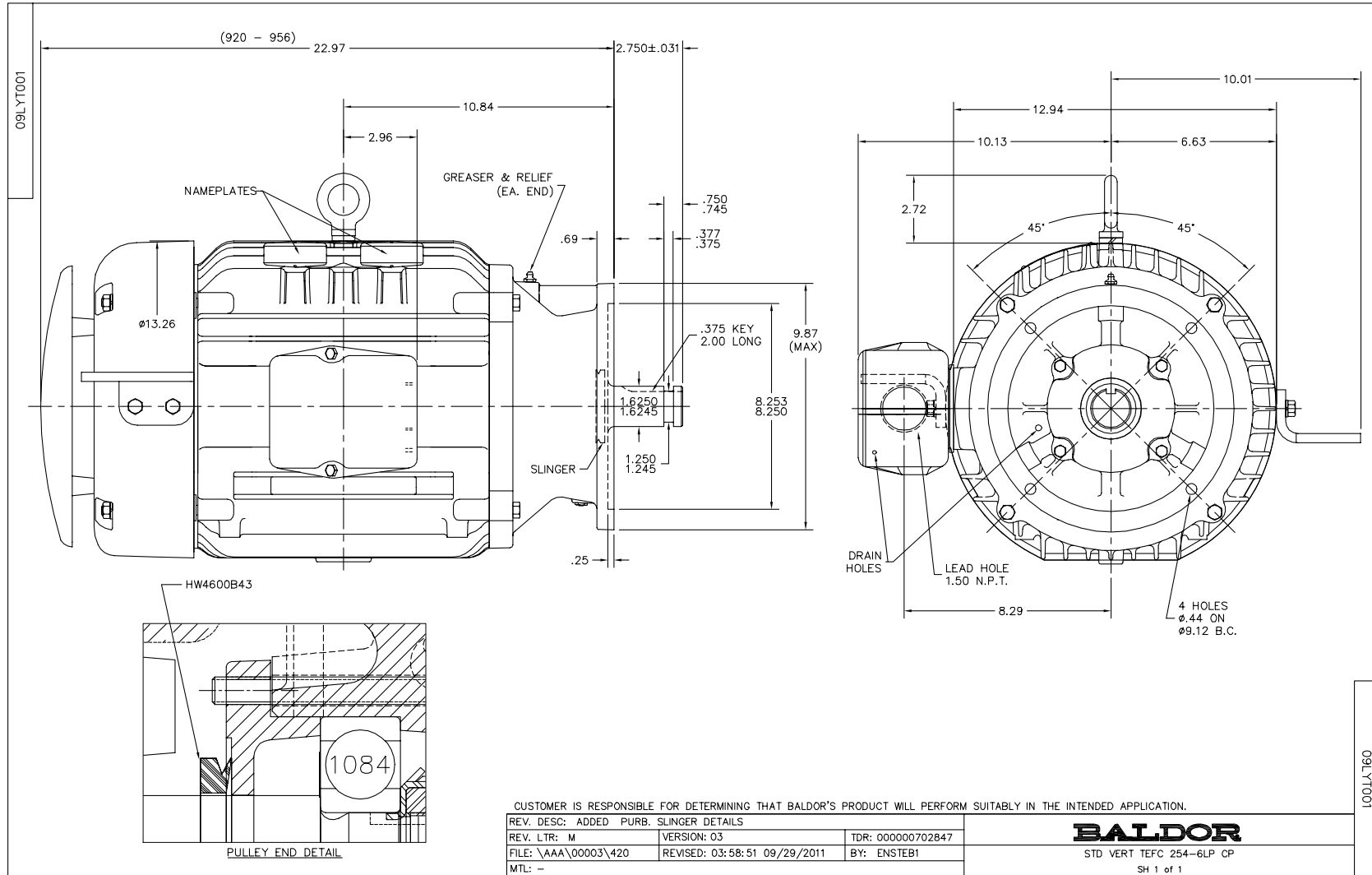
Full Load Torque:	59.8 LB-FT	Start Configuration:	DOL
No-Load Current:	9.87 Amps	Break-Down Torque:	204.0 LB-FT
Line-line Res. @ 25°C.:	0.49 Ohms A Ph / 0.0 Ohms B Ph	Pull-Up Torque:	79.8 LB-FT
Temp. Rise @ Rated Load:	78 C	Locked-Rotor Torque:	97.5 LB-FT
Temp. Rise @ S.F. Load:	96 C	Starting Current:	152.0 Amps

Load Characteristics

% of Rated Load	25	50	75	100	125	150	S.F.
Power Factor:	48.0	70.0	80.0	85.0	86.0	87.0	86.0
Efficiency:	86.6	91.1	91.9	91.6	90.7	89.3	91.1
Speed:	1790.0	1780.0	1770.0	1759.0	1746.0	1731.0	1751.0
Line Amperes:	11.4	14.7	19.1	24.1	29.9	36.2	27.58

Performance Graph at 460V, 60Hz, 20.0HP Typical performance - Not guaranteed values





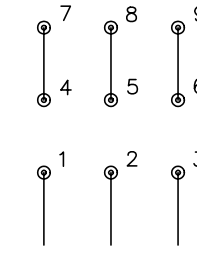
CD0180



LOW VOLTAGE
(2D)



HIGH VOLTAGE
(1D)



NOTES:

1. INTERCHANGE ANY TWO LINE LEADS TO REVERSE ROTATION.
2. OPTIONAL THERMOSTATS ARE PROVIDED WHEN SPECIFIED.
3. ACTUAL NUMBER OF INTERNAL PARALLEL CIRCUITS MAY BE A MULTIPLE OF THOSE SHOWN ABOVE.
4. LEAD COLORS ARE OPTIONAL. LEADS MUST ALWAYS BE NUMBERED AS SHOWN.

REV. DESC: REVISE TO SHOW OPTIONAL COLORS			
REV. LTR: C	BY: JLP	REVISED: 01/21/99 2:28	TDR: 0171435
0810D0		FILE: AAA00005148	MDL: -
		MTL: -	

BALDOR ELECTRIC Co.

3PH, DV, 9 LEADS, DELTA CONNECTION

CD0180