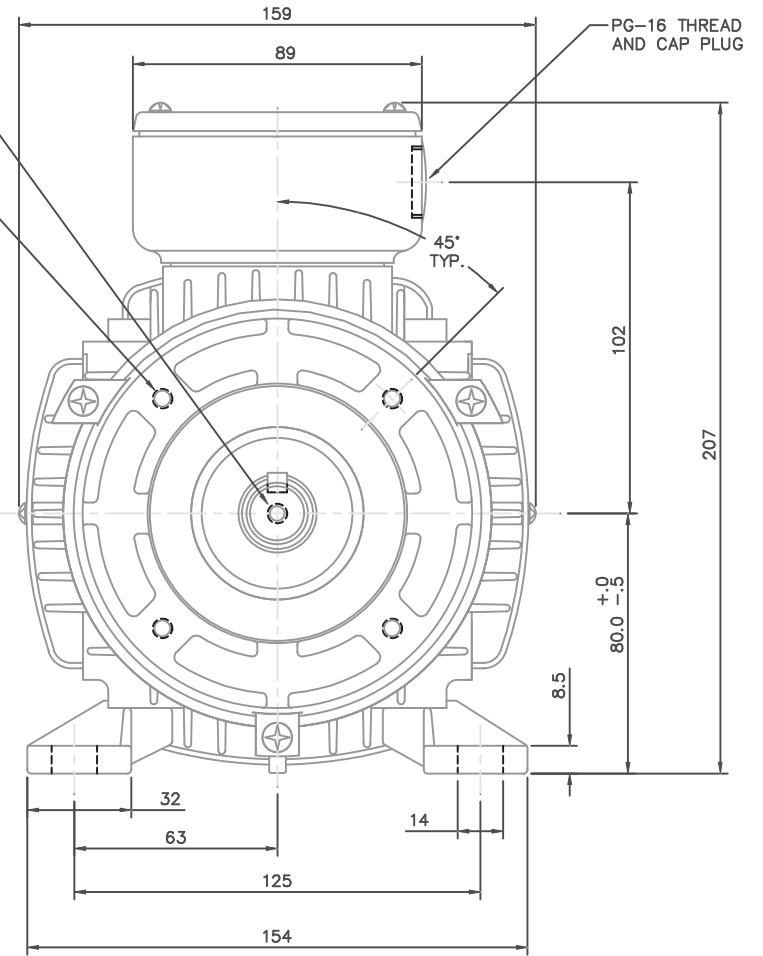


M6-1.00 x 16 DEEP R.H. THREADED SHAFT
 (4) M6-1.00 THRU-THREAD R.H. ON A Ø100.00 ±.17 B.C.



| NO. | | REVISION | BY & DATE | CHK | ANG | ±1/2' | FINISH | LEESON ELECTRIC MOTORS GEARMOTORS AND DRIVES | | DRAWN | ADS 01/30/02 |
|-----|--|----------|-----------|-----|-----|-------|--------------------------------|--|----------|-------|--------------|
| | | | | | | | TO TOLERANCES UNLESS SPECIFIED | TITLE | | SCALE | 1=1.5 |
| | | | | | | | DEC. INCHES | METRIC OUTLINE, IMB34 IEC-80 FRAME TEFC RIGID W/B14 FLANGE | | REF | OSVC-300-560 |
| | | | | | | | .X ±.1 | MAT'L | | FMF | LEESON STOCK |
| | | | | | | | .XX ±.03 | ALUMINUM | | PREV | |
| | | | | | | | .XXX ±.005 | | | | |
| | | | | | | | .XXXX ±.0005 | | | | |
| | | | | | | | RFP | CAD FILE | 16986500 | SIZE | DRAWING NO. |
| | | | | | | | DIST | | | B | 169865-00 |
| | | | | | | | | | | | REV. |

THIS DRAWING IN DESIGN AND DETAIL IS OUR PROPERTY AND MUST NOT BE USED EXCEPT IN CONNECTION WITH OUR WORK. ALL RIGHTS OF DESIGN AND INVENTION ARE RESERVED. THIS IS AN ELECTRONICALLY GENERATED DOCUMENT - DO NOT SCALE THIS PRINT