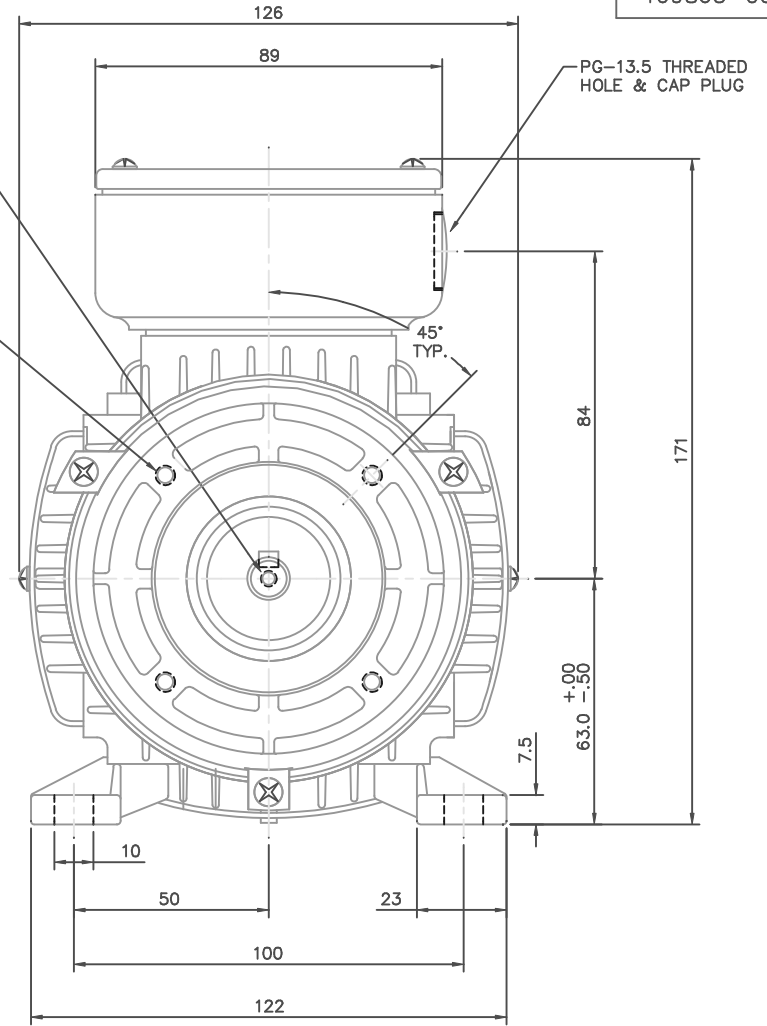


(4) M5-.80 THRU-THREAD R.H. ON A Ø75.00±.15 B.C.

M4-.70 x 10MM DEEP R.H. THREADED SHAFT



		TOLERANCES UNLESS SPECIFIED		LEESON		ELECTRIC MOTORS GEARMOTORS AND DRIVES		DRAWN ADS 01/30/02	
		DEC.	METRIC					CHK	
		.X	±2.5					APPD	
		.XX	±.76	TITLE		METRIC MOTOR OUTLINE, IMB34 IEC-63 FRAME RIGID MOUNT W/B14 FLANGE		SCALE	1=1.25
		.XXX	±.127	MAT'L		ALUMINUM		REF	OSVC-300-562
01	CHANGED PART NUMBER IN TITLE BLOCK	RDW 8/17/05	KJH .XXXX ±.0127	FINISH				FMF	LEESON STOCK
NO.	REVISION	BY & DATE	CHK ANG ±1/2'	PREV					
THIS DRAWING IN DESIGN AND DETAIL IS OUR PROPERTY AND MUST NOT BE USED EXCEPT IN CONNECTION WITH OUR WORK ALL RIGHTS OF DESIGN AND INVENTION ARE RESERVED THIS IS AN ELECTRONICALLY GENERATED DOCUMENT - DO NOT SCALE THIS PRINT				RFP	CAD FILE	16986300	SIZE	DRAWING NO.	REV.
				DIST			B	169863-00	01