

BALDOR® • RELIANCE

Product Information Packet

ELECTRIC MOTOR WHOLESAL.COM

MVM3461C

.37KW,1725RPM,3PH,60HZ,D71C,3320M,TEFC

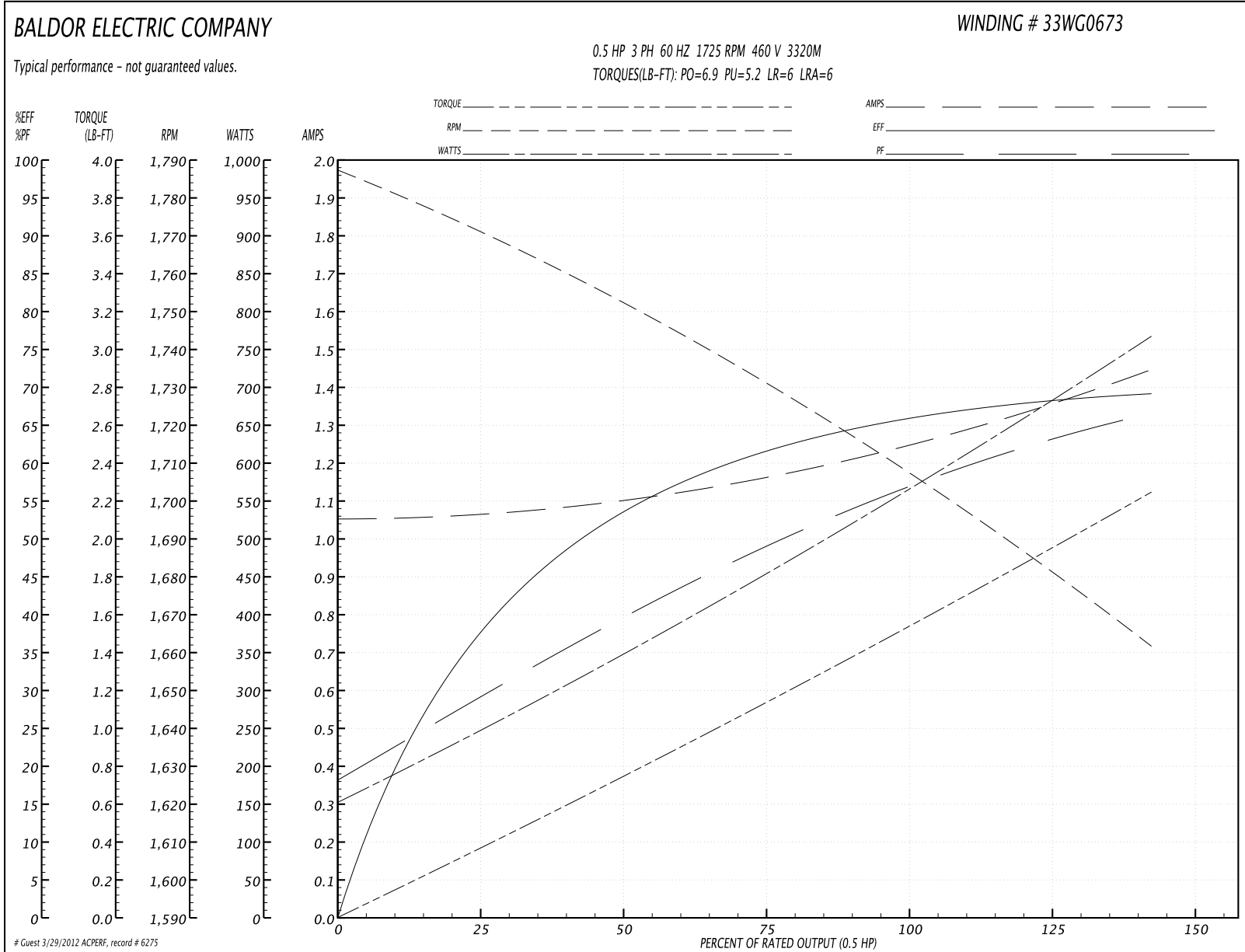
| Part Detail | | | | | | | |
|-------------------|--------------|-------------|-------|----------------|----------|---------------|------------|
| Revision: | Z | Status: | PRD/A | Change #: | | Proprietary: | No |
| Type: | AC | Prod. Type: | 3320M | Elec. Spec: | 33WG0673 | CD Diagram: | |
| Enclosure: | TEFC | Mfg Plant: | | Mech. Spec: | 33-1922 | Layout: | |
| Frame: | D71C | Mounting: | F2 | Poles: | 04 | Created Date: | 06-25-2007 |
| Base: | N | Rotation: | R | Insulation: | B | Eff. Date: | 11-12-2010 |
| Leads: | 9#18 | Literature: | | Elec. Diagram: | | Replaced By: | |
| Nameplate NP1379L | | | | | | | |
| CAT.NO. | MVM3461C | | | | | | |
| SPEC. | 33-1922-673 | | | | | | |
| IEC FRAME | D71C | K.W. | | | .37 T | | |
| VOLTS | 208-230/460 | | | | | | |
| AMP | 2.6-2.4/1.2 | | | | | | |
| RPM | 1725 | I.P. | | | 54 | | |
| HZ | 60 | PH | | | 3 | CL | B |
| SER.F. | 1.00 | DES | | | B | CODE | - |
| NEMA-NOM-EFF | 71 | PF | | | 54 | | |
| RATING | 40C AMB-CONT | | | | | | |
| CC | | | | USABLE AT 208V | | 2.6 | |
| DE | 6203 | ODE | | | 6203 | | |
| SER. # | | | | | | | |
| | | | | | | | |

| Parts List | | |
|---------------|--|----------|
| Part Number | Description | Quantity |
| SA007276 | SA 33-1922-673 | 1.000 EA |
| RA003723 | RA 33-1922-673 | 1.000 EA |
| LC0005 | CONN.DIA.,TY M,9-LD,DUAL VOLT,REVERSING | 1.000 EA |
| 34CB3002C | CB CAST W/.69 DIA HOLE | 1.000 EA |
| 34GS1029A01 | GASKET, CONDUIT BOX | 1.000 EA |
| 51XB1016A07 | 10-16 X 7/16 HXWSSLD SERTYB | 2.000 EA |
| 11XW1032G06 | 10-32 X .38, TAPTITE II, HEX WSHR SLTD U | 1.000 EA |
| 33EP3100A01SP | EP,33AC ODE GP 6203 TEFC W/DRAIN | 1.000 EA |
| HW5109A05 | WASHER, WAVE SPRING FOR 40MM BORE SMALLE | 1.000 EA |
| 33EP1300A35 | PU EP, ENCL FACE MTD IEC D71C FOR SEAL | 1.000 EA |
| 51XN1032A20 | 10-32 X 1 1/4 HX WS SL SR | 2.000 EA |
| 33FN3000SP | EXTERNAL FAN, PLASTIC | 1.000 EA |
| 12XN0832A16 | 8-32 X 1.00" SLT HEX HD ZINC PLATED | 1.000 EA |
| HW1003A08 | WASHER, #8 EX TH LK, ZN (F/S) | 1.000 EA |
| XY0832A02 | 8-32 HEX NUT | 1.000 EA |
| 33FH4001A01 | FAN COVER, STAMPED | 1.000 EA |
| 11XT1032A06 | 10-32 X 3/8 HX WSHR HD SLTD TYPE 23 | 3.000 EA |
| 34CB4517 | CB LID 4 MTG HOLES .22 DIA STAMPED, FOR | 1.000 EA |
| 34GS1031A01 | GASKET, FLAT CONDUIT BOX LID (LEXIDE) | 1.000 EA |
| 51XW0832A07 | 8-32 X .44, TAPTITE II, HEX WSHR SLTD SE | 4.000 EA |
| HW2504D08 | KEY, 5 MM X .875 | 1.000 EA |
| HA7000A10 | KEY RETAINER 0.563 DIA SHAFTS | 1.000 EA |
| HW4600A50 | SEAL,#6806 C-R .669X1.25 X.25 SNG LIP NO | 1.000 EA |
| MJ5001A01 | 46-665 RED SEALER | 0.001 QT |

| Parts List (continued) | | |
|------------------------|--|----------|
| Part Number | Description | Quantity |
| MG1000G27 | PAINT- S9282E CHARCOAL GREY | 0.013 GA |
| 85XU0407S04 | 4X1/4 U DRIVE PIN STAINLESS | 2.000 EA |
| HA3100A44 | THRUBOLT 10-32 X 8.000 | 2.000 EA |
| LB5040 | INSTRUCTION TAG, AC & DC | 1.000 EA |
| LB1171 | LABEL CARTON 6X6 ON LINE BLANK ROLLS | 1.000 EA |
| NP1379L | ALUM, IEC, UL CSA CC, W/O THERMAL, LASER | 1.000 EA |
| PA1501 | PACKING GROUP (VERTICAL), BALDOR | 1.000 EA |

| Performance Data at 460V, 60Hz, 0.5HP (Typical performance - Not guaranteed values) | | | | | | | |
|---|--------------------------------|--------|--------|----------------------|-----------|--------|------|
| General Characteristics | | | | | | | |
| Full Load Torque: | 1.5 LB-FT | | | Start Configuration: | DOL | | |
| No-Load Current: | 1.05 Amps | | | Break-Down Torque: | 6.9 LB-FT | | |
| Line-line Res. @ 25°C.: | 28.9 Ohms A Ph / 0.0 Ohms B Ph | | | Pull-Up Torque: | 5.2 LB-FT | | |
| Temp. Rise @ Rated Load: | 67 C | | | Locked-Rotor Torque: | 6.0 LB-FT | | |
| Temp. Rise @ S.F. Load: | | | | Starting Current: | 6.0 Amps | | |
| Load Characteristics | | | | | | | |
| % of Rated Load | 25 | 50 | 75 | 100 | 125 | 150 | S.F. |
| Power Factor: | 29.0 | 40.0 | 49.0 | 58.0 | 65.0 | 70.0 | 0.0 |
| Efficiency: | 37.7 | 53.4 | 61.5 | 65.8 | 68.1 | 69.0 | 0.0 |
| Speed: | 1770.0 | 1752.0 | 1732.0 | 1710.0 | 1687.0 | 1661.0 | 0.0 |
| Line Amperes: | 1.07 | 1.1 | 1.16 | 1.24 | 1.33 | 1.45 | 0.0 |

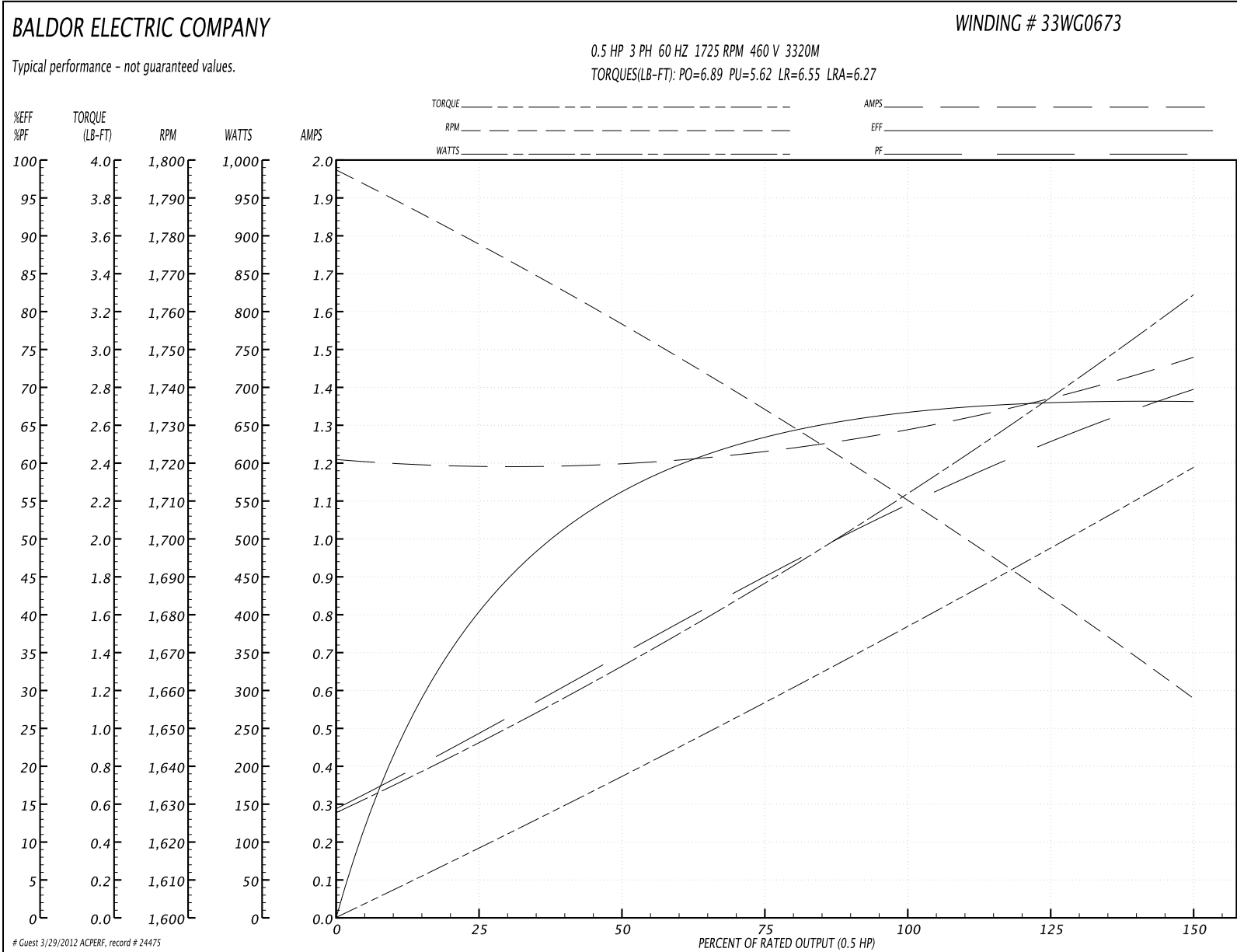
Performance Graph at 460V, 60Hz, 0.5HP Typical performance - Not guaranteed values

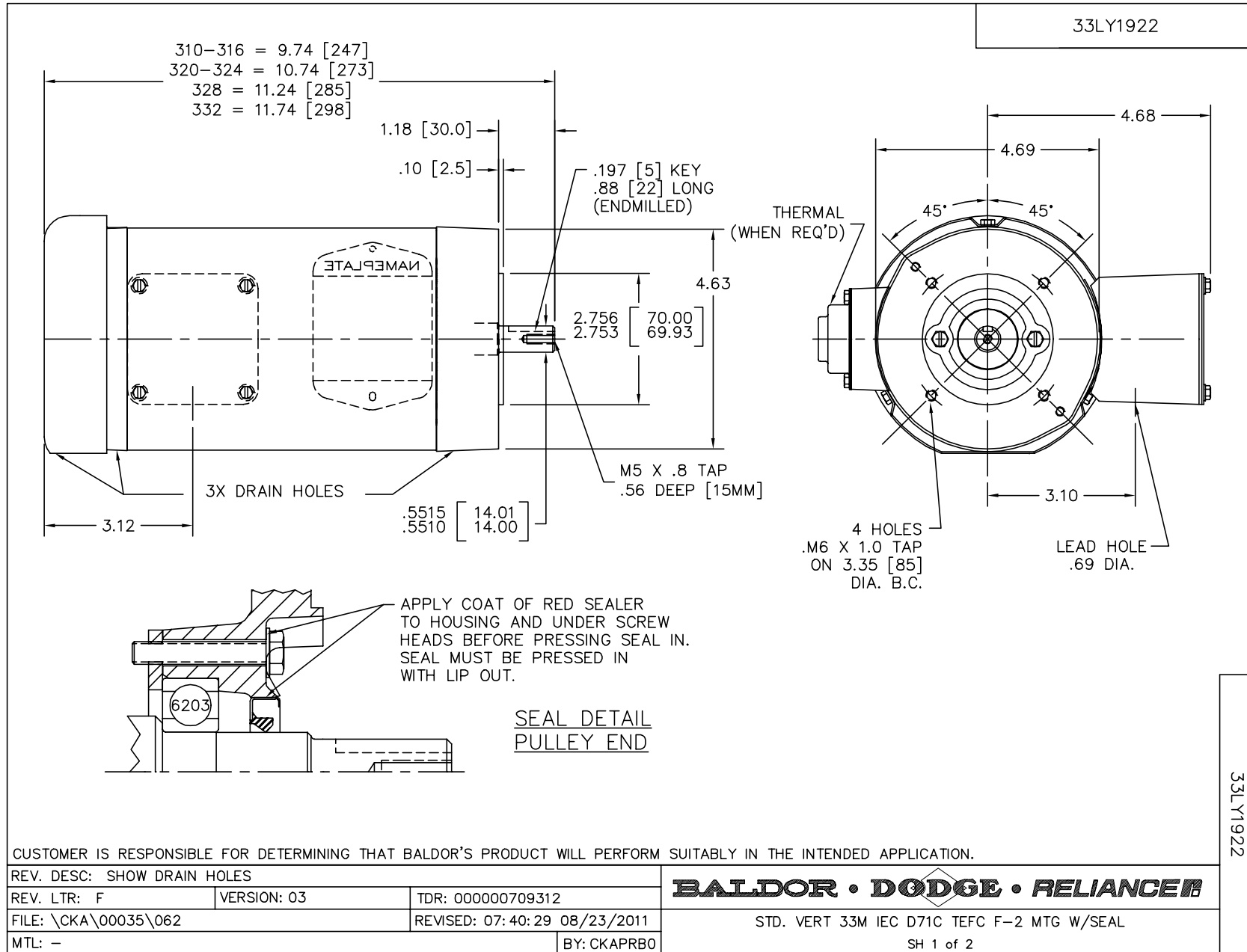


Performance Data at 460V, 60Hz, 0.5HP (Typical performance - Not guaranteed values)

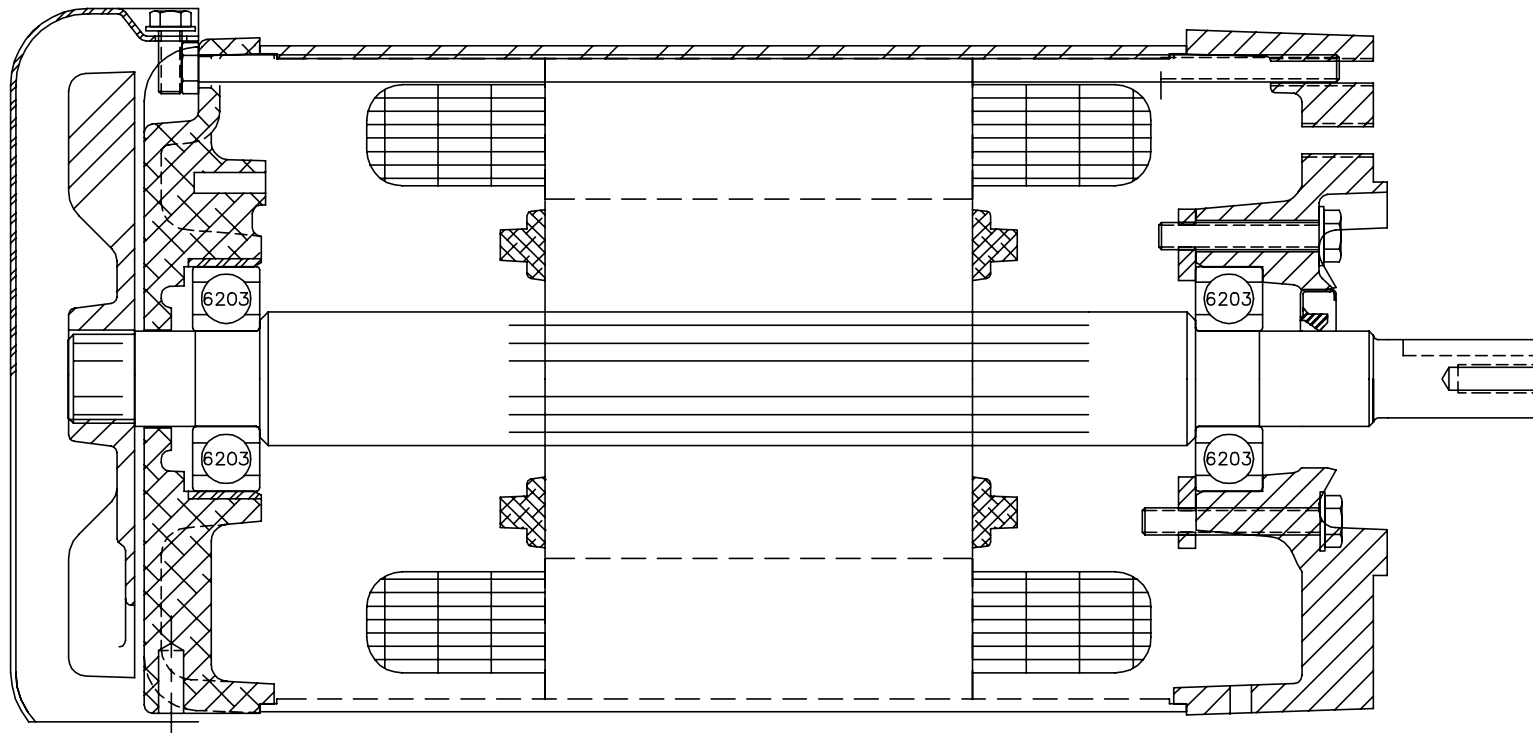
| General Characteristics | | | | | | | |
|--------------------------|--------------------------------|--------|--------|----------------------|------------|--------|------|
| Full Load Torque: | 1.54 LB-FT | | | Start Configuration: | DOL | | |
| No-Load Current: | 1.21 Amps | | | Break-Down Torque: | 6.89 LB-FT | | |
| Line-line Res. @ 25°C.: | 29.2 Ohms A Ph / 0.0 Ohms B Ph | | | Pull-Up Torque: | 5.62 LB-FT | | |
| Temp. Rise @ Rated Load: | 83 C | | | Locked-Rotor Torque: | 6.55 LB-FT | | |
| Temp. Rise @ S.F. Load: | | | | Starting Current: | 6.27 Amps | | |
| Load Characteristics | | | | | | | |
| % of Rated Load | 25 | 50 | 75 | 100 | 125 | 150 | S.F. |
| Power Factor: | 24.0 | 35.0 | 45.0 | 55.0 | 63.0 | 70.0 | 0.0 |
| Efficiency: | 40.6 | 57.0 | 64.2 | 67.5 | 68.4 | 68.4 | 0.0 |
| Speed: | 1776.0 | 1756.0 | 1734.0 | 1712.0 | 1685.0 | 1657.0 | 0.0 |
| Line Amperes: | 1.19 | 1.2 | 1.23 | 1.29 | 1.37 | 1.48 | 0.0 |

Performance Graph at 460V, 60Hz, 0.5HP Typical performance - Not guaranteed values





33LY1922



33LY1922

CUSTOMER IS RESPONSIBLE FOR DETERMINING THAT BALDOR'S PRODUCT WILL PERFORM SUITABLY IN THE INTENDED APPLICATION.

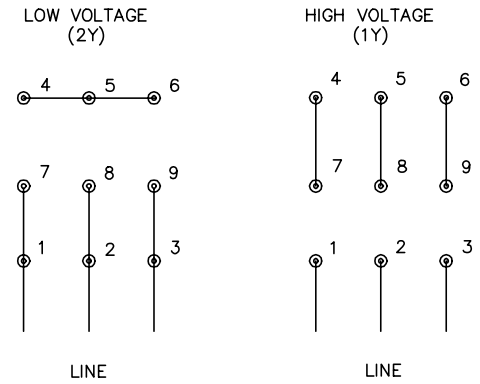
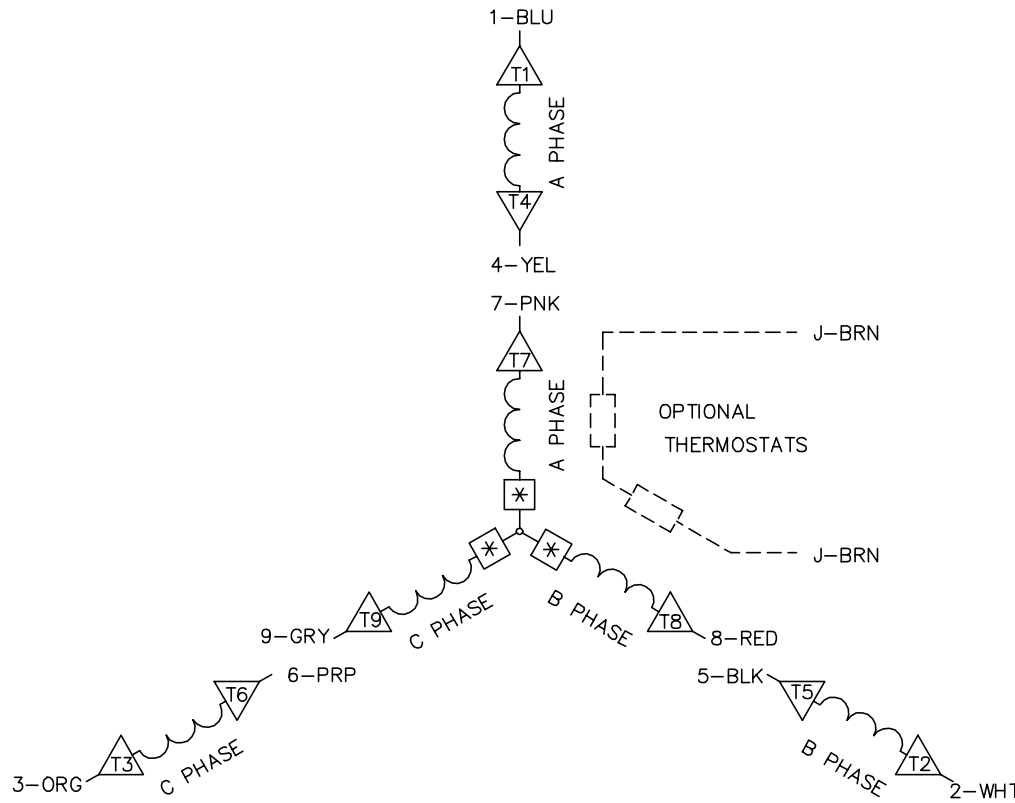
| | | | |
|-----------------------------|-------------|------------------------------|--|
| REV. DESC: SHOW DRAIN HOLES | | | |
| REV. LTR: F | VERSION: 03 | TDR: 000000709312 | |
| FILE: \CKA\00035\062 | | REVISED: 07:40:30 08/23/2011 | |
| MTL: - | | BY: CKAPRBO | |

BALDOR • DODGE • RELIANCE

STD. VERT 33M IEC D71C TEFC F-2 MTG W/SEAL

SH 2 of 2

CD0005A05



- NOTES:
1. INTERCHANGE ANY TWO LINE LEADS TO REVERSE ROTATION.
 2. OPTIONAL THERMOSTATS ARE PROVIDED WHEN SPECIFIED.
 3. ACTUAL NUMBER OF INTERNAL PARALLEL CIRCUITS MAY BE A MULTIPLE OF THOSE SHOWN ABOVE.
 4. LEAD COLORS ARE OPTIONAL. LEADS MUST ALWAYS BE NUMBERED AS SHOWN.
 5. =MAGNET WIRE COIL END WITH I.D. NUMBER.
 6. =MAGNET WIRE COIL END WITH I.D. SYMBOL.
 7. SEE CW PRINT FOR NEST TO NEST CROSSOVER CONNECTIONS.

| | | | |
|--------------------------|----------------------|------------------------------|--|
| REV. DESC: ADD NEST NOTE | | | |
| REV. LTR: C | VERSION: 03 | TDR: 000000445597 | |
| CD0005A05 | FILE: \CKA\00024\847 | REVISED: 12:51:06 11/15/2007 | |
| | MTL: - | BY: CKMICRO | |

BALDOR • DODGE • RELIANCE

3PH, DV, 9 LEADS, CK

CD0005A05