

BALDOR® • RELIANCE

Product Information Packet

ELECTRIC MOTOR WHOLESAL.COM

M13064-58

5.5KW,1460RPM,3PH,50HZ,D132S,0732M,TEFC

Part Detail							
Revision:	J	Status:	INA/A	Change #:		Proprietary:	No
Type:	AC	Prod. Type:	0732M	Elec. Spec:	07WGY188	CD Diagram:	
Enclosure:	TEFC	Mfg Plant:		Mech. Spec:	07J431	Layout:	
Frame:	D132S	Mounting:	B3	Poles:	04	Created Date:	08-24-2009
Base:	RG	Rotation:	R	Insulation:	F	Eff. Date:	02-03-2012
Leads:	6#14	Literature:		Elec. Diagram:		Replaced By:	

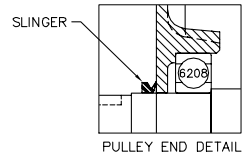
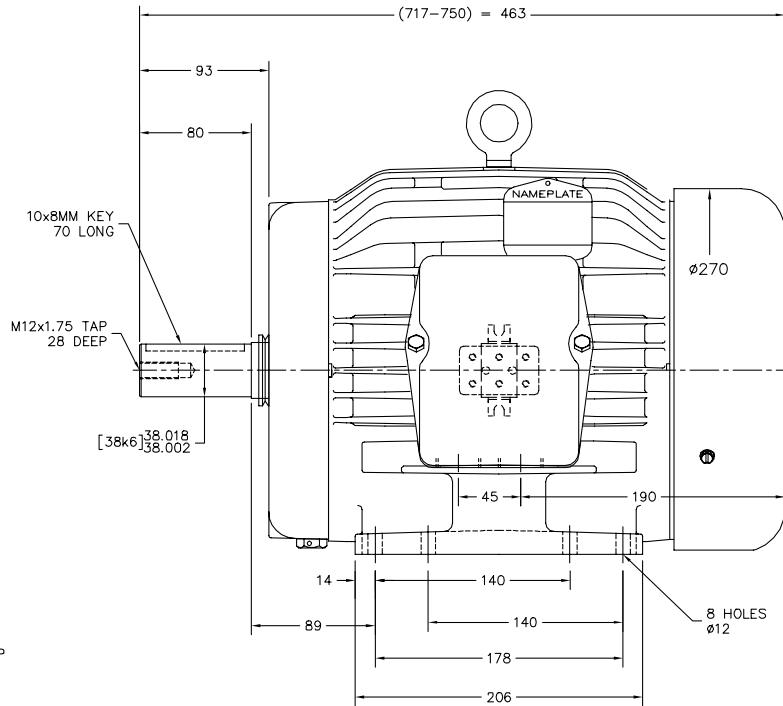
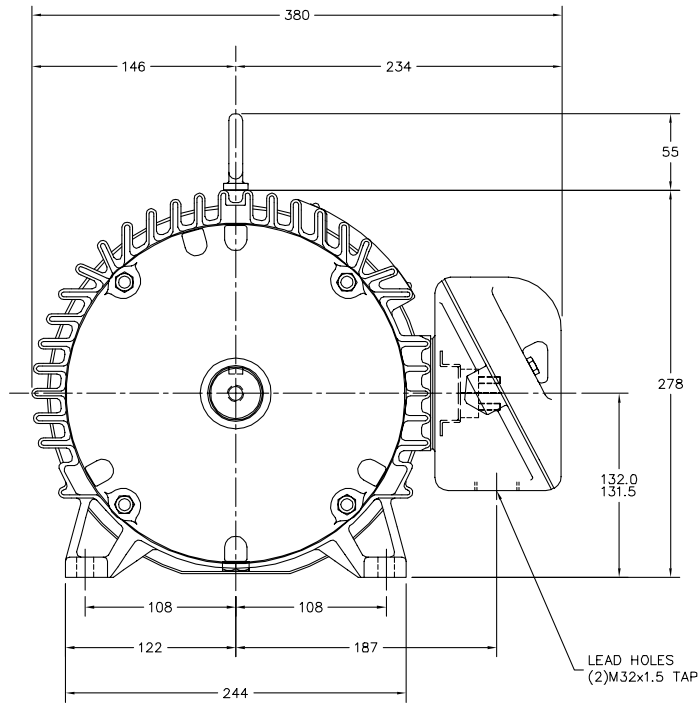
Nameplate NP2158L

CAT NO							
SPEC.	07J431Y188G1						
KW	5.5KW	PH					3
VOLTS DELTA	380-415						
AMP	12-12.3						
R/MIN	1470	WEIGHT					80 KG
FRAME	D132S	HZ	50	I.P.	55		
SER.F.	1.00	CODE	K	DES	N	CL	F
IEC EFF	87.9	% (100%) IEC60034-2-1					
COS	75						
RATING	40C AMB-S1	MTG					B3
DE BRG	6208	ODE					6206
ENCL	TEFC	SN					
BLANK	IE2-87.8(75%)85.6(50%)						

Parts List		
Part Number	Description	Quantity
SA184991	SA 07J431Y188G1	1.000 EA
RA172807	RA 07J431Y188G1	1.000 EA
37FN3002C01	EXFN, PLASTIC, 6.00 OD, 1.155 ID	1.000 EA
HW3233A02	M10 X 1.5 EYEBOLT W/20MM SHANK	1.000 EA
09CB1002A50	CB 309 W/(2)M32X1.5 TAPS FOR METRIC	1.000 EA
09GS1000SP	GASKET-CONDUIT BOX, 1/16 THICK LEXIDE	1.000 EA
10YN0060A016	M6-1 X 16MM LONG HEX HD	4.000 EA
10YN0060A012	M6-1 X 12MM LONG HEX HD	1.000 EA
WD1320A01	TERM. BLK. 600V, 25A, 6 POLES, #8-24AWG	1.000 EA
HA6374A04	IEC TERM.BLK BRACKET FOR METRIC SCREWS	1.000 EA
12YW0050A016	M5X.08X16MM TAPTITE HEX HEAD PHILLIPS	2.000 EA
12CB1500A19	CONDUIT BOX LID, MACH	1.000 EA
37EP1100C55	FREP TEFC 206 BRG, NO GRSSR, #14 DRILLS,	1.000 EA
HA4001A01SP	DRAIN PLUG, PLASTIC (MICRO PLAS)	1.000 EA
HW5100A06	W2420-025 WVY WSHR (WB)	1.000 EA
37EP1101B80	PUEP ENCL 208 BRG,LESS GRSSR,.125 NPT DRN	1.000 EA
HA4001A01SP	DRAIN PLUG, PLASTIC (MICRO PLAS)	1.000 EA
HA3125A02	THRUBOLT M8 X 1.25 X 320MM	4.000 EA
YZ0080A02	METRIC HEX NUTS, DIA= M8	4.000 EA
07FH4007A07	IEC FH NO GRSSR, NOTCH @ 6:00 & 3 F/C HOL	1.000 EA
12YW0050A016	M5X.08X16MM TAPTITE HEX HEAD PHILLIPS	3.000 EA
09GS1013SP	09 GS FOR 09CB3501 LID - LEXIDE	1.000 EA
10YN0060A040	M6-1 X 40MM LONG HEX HD MACH SCREW	2.000 EA
HW1001A25	LOCKWASHER 1/4, ZINC PLT .493 OD, .255 I	2.000 EA

Parts List (continued)		
Part Number	Description	Quantity
HW2511B112	10MM X 8MM X 70MM LONG METRIC KEY W/RO	1.000 EA
HA7000A02	KEY RETAINER RING, 1 1/8 DIA, 1 3/8 DIA	1.000 EA
HW4600B44SP	V-RING SLINGER 1.500 X 2.290 X 0.280	1.000 EA
85XU0407S04	4X1/4 U DRIVE PIN STAINLESS	2.000 EA
LB1115	LABEL,LIFTING DEVICE	1.000 EA
MJ5001A01	46-665 RED SEALER	0.010 QT
WD1000D56	TERMINAL, NYLON INS RING 16-14 GA, #10 B	6.000 EA
MJ1000A75	GREASE, POLYREX EM EXXON	0.050 LB
51XB1214A20	12-14X1.25 HXWSSLD SERTYB	1.000 EA
MG1025G29	PAINT 789.205 DARK GRAY METALLIC (USE W/	0.036 GA
MG1025Z20	ACTIVATOR WILKOFAS 060.32	0.010 GA
LB1119	WARNING LABEL	1.000 EA
LB1125C01	STD (STOCK) CARTON LABEL BALDOR WITH FLA	1.000 EA
LC0762	CONN LABEL, AC	1.000 EA
LB5040	INSTRUCTION TAG, AC & DC	1.000 EA
NP2158L	ALUM METRIC-E IEC IE2 UL CSA CE	1.000 EA
07PA1011	PKG GRP, 07 CAST IRON PK1181	1.000 EA
10XL3808A28	3/8 X 1 3/4" LAG SCREW	2.000 EA

07LYJ431



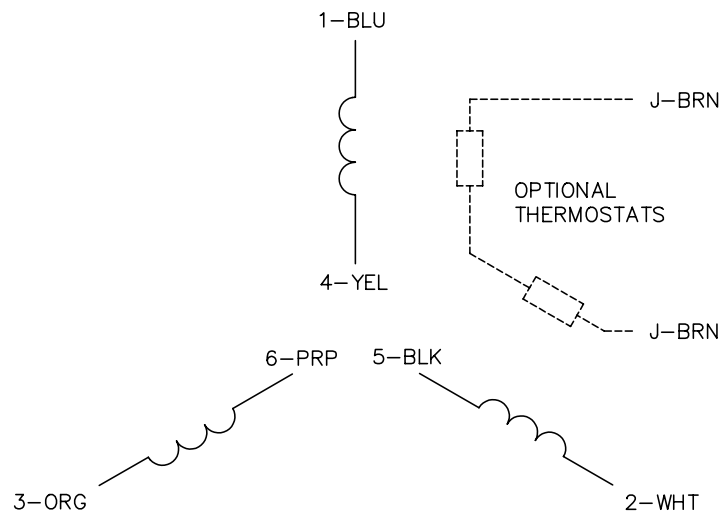
CUSTOMER IS RESPONSIBLE FOR DETERMINING THAT MOTOR PERFORMANCE IS SUITABLE IN THE APPLICATION.

REV. DESC: REMOVE 5MM DIM FROM KEYWAY, CHG TOL. ON SHAFT O.D.	VERSION: 01	TDR: 000000417510
REV. LTR: A	REVISION: 13: 58: 38 12/21/2006	BY: ENODIDO
FILE: \AAA\00134\431		
MTL: -		

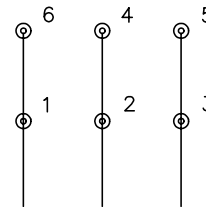
BALDOR ELECTRIC Co.
HORZ D132S-M,B3 TEFC F2 IP55 W/TERM.BLOCK, METRIC HARDWARE

07LYJ431

CD0382

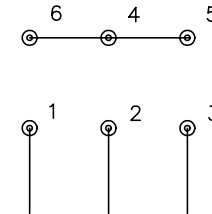


RUN CONNECTION (1D)



LINE

START CONNECTION (1Y)



LINE

NOTES:

1. INTERCHANGE ANY TWO LINE LEADS TO REVERSE ROTATION.
2. OPTIONAL THERMOSTATS ARE PROVIDED WHEN SPECIFIED.
3. ACTUAL NUMBER OF INTERNAL PARALLEL CIRCUITS MAY BE A MULTIPLE OF THOSE SHOWN ABOVE.
4. LEAD COLORS ARE OPTIONAL. LEADS MUST ALWAYS BE NUMBERED AS SHOWN.
5. FOR ACROSS-THE-LINE STARTING, USE 'RUN' CONNECTION.

REV. DESC: ADD NOTE 5 FOR DOL STARTING			
REV. LTR: E	BY: JLP	REVISED: 11/30/00 2:26	TDR: 0226155
CD0382		FILE: AAA00005243	REF: -
		MTL: -	

BALDOR ELECTRIC Co.

3PH, SV, 6 LEADS, Y START/D RUN

CD0382