

BALDOR® • RELIANCE

Product Information Packet

ELECTRIC MOTOR WHOLESAL.COM

SSGHF3021AH

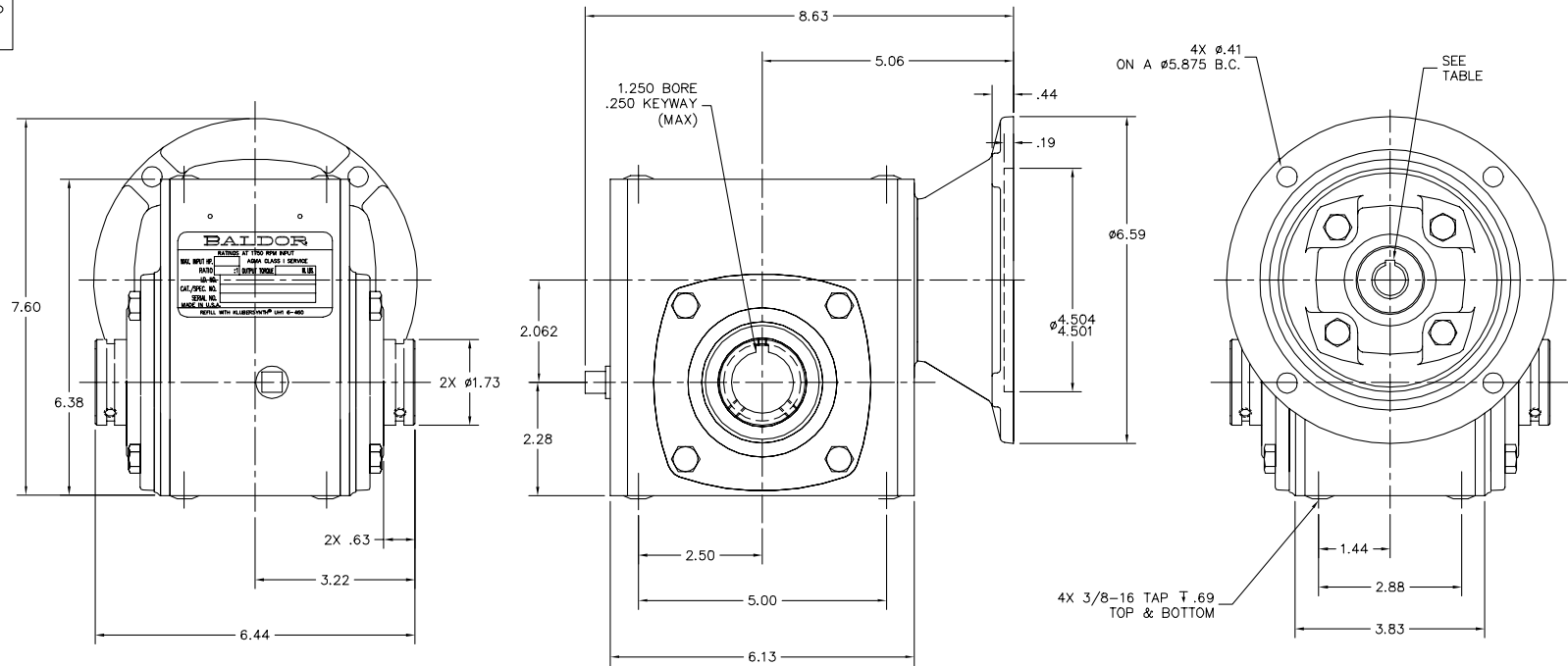
SSHF-921-30-B5-H104

Parts List		
Part Number	Description	Quantity
HG0050A03L01	SS921 HOUSING W/NP1756L LASER NP	1.000 EA
HA4027A02	SQUARE HEAD PIPE PLUG 3/8" NPTF #304 S.S	1.000 EA
921-1SR	N5000-244 RET RING	1.000 EA
WM0070A13	921 MTZ WORM ASSY 30:1 RATIO 5/8 BORE SS	1.000 EA
BG6305A01	6305 OPEN,C3,SLUSH	1.000 EA
HW5060A58	RET RING 5160-98 WALDES FOR .984 OR 1.00	1.000 EA
GF0054A01	921 56C GEAR FLANGE, STAINLESS	1.000 EA
HW4600D52	35MM X 47MM X 7MM SGLLIP, METAL SLEEVE	1.000 EA
RM1070A04	O-RING, (AS-568A-228) .139 X 2.234	1.000 EA
10XN3118S20	5/16-18 X 1 1/4 HEX HEAD CAP, STAINLESS	1.000 EA
HA9828A01	MCMASTERCARR #94709A318 5/16 SEAL WASHER	4.000 EA
BS0165A01G1	921 HOL SHF BG SPT ASSY, STAINLESS	1.000 EA
GS0035A01	WORMGEAR GASKET, .003 (GREEN), 3.53 ID X	1.000 EA
GS0035A02	WORMGEAR GASKET, .005 (BLUE), 3.53 ID X	2.000 EA
GS0035A03	WORMGEAR GASKET, .010 (BROWN), 3.53 ID X	2.000 EA
RM1070A01	O-RING, (AS-568A-236) .139 X 3.234	1.000 EA
HW4600E54A	HW4600E54 OUTPUT SEAL ASSY	1.000 EA
10XN3118S12	5/16-18 X 3/4 HEX HEAD CAP, STAINLESS ST	4.000 EA
SG0019B50	SS921 GR SHF ASSY 30:1, HOL O/P, 1.250 B	1.000 EA
BS0165A01G1	921 HOL SHF BG SPT ASSY, STAINLESS	1.000 EA
GS0035A01	WORMGEAR GASKET, .003 (GREEN), 3.53 ID X	1.000 EA
GS0035A02	WORMGEAR GASKET, .005 (BLUE), 3.53 ID X	2.000 EA
GS0035A03	WORMGEAR GASKET, .010 (BROWN), 3.53 ID X	2.000 EA
RM1070A01	O-RING, (AS-568A-236) .139 X 3.234	1.000 EA

Parts List (continued)		
Part Number	Description	Quantity
HW4600E54A	HW4600E54 OUTPUT SEAL ASSY	1.000 EA
10XN3118S12	5/16-18 X 3/4 HEX HEAD CAP, STAINLESS ST	4.000 EA
MJ5004A35	ADHESIVE LOCTITE #243-31 50 ML	0.039 EA
HA3557A02	ALLIANCE #PP3/8 PLUG	4.000 EA
MJ1000A90	KLUBERSYNTH UH1-6-460 WORMGEAR OIL	0.138 GA
LB5042	TOE TAG, OIL PREFILL KLUBERSYN (250/pk)	1.000 EA
LT0066A08	REDUCER INSTALL/MAINT - KLUBE 11/05	1.000 EA
85XU0208S03	2 X 3/16 DRIVE PIN S.S. (BMH5033)	2.000 EA
MJ1000B01	ANTISEIZE - ALTEMP Q NB 50, 750 GRAM CAN	0.001 EA
HA3556A01	WORM BORE PLUG 5/8 BORE, CAPPLUGS 7TX	1.000 EA
35PA1000	PACKING GROUP	1.000 EA
HW2502E15	KEY, SS 1/4 X 1.625 AUTO	1.000 EA
80XN0832S02	SCREW, 8-32 X 1/8", SHS, SS	2.000 EA
80XN2520S04	1/4-20 X 1/4 SET SCREW, S.S.	4.000 EA
10XN3816S16	3/8-16 X 1 HEX HD CAP SCREW, STAINLE	4.000 EA
HW1001S38	WASHER, 3/8 SPLT LK, STAINLESS STEEL	4.000 EA
RM1070A05	O-RING, (AS-568A-249) .139 X 4.859	1.000 EA
MP1009A01	4 X 4 ZIP POLYBAG, 4 MIL	1.000 EA

Accessories		
Part Number	Description	Multiplier
SSB21H71	SS921 SERIES WORMGEAR BASE ASSY, HORZ	A8

GY0318A01



	BORE	KEYWAY
B5	.625	.188
B7	.875	.188

GY0318A01

REV. DESC: DELETED CROSSED LINES		
REV. LTR: C	VERSION: 03	TDR: 000000407269
FILE: \CKA\00017\865	REVISED: 14:35:13 09/06/2006	BY: CKBRISO
MTL: -		

BALDOR ELECTRIC Co.

SSHF-921 STANDARD MOUNTING

P. O. BOX 2400 • FORT SMITH, ARKANSAS 72902-2400 U.S.A. • (479) 646-4711 • FAX (479) 648-5792



REDUCER INSTALLATION, MAINTENANCE AND LUBRICATION

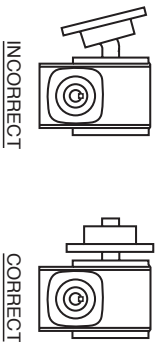
Baldor reducers achieve maximum performance and life when installed properly. Please follow these instructions carefully.

INSTALLATION

Baldor reducers filled with Kluber Klubersynth UH1-6-460 synthetic lubricant are ready for immediate use. These reducers are completely sealed and require no breather vents. The design and synthetic lubrication allow efficient operation to reduce operating temperature and minimize internal pressure build up. The reducer has been filled with the correct amount of oil for all approved mounting positions. Do not add or remove any oil during installation or after the break-in period.

Mount the reducer on a flat surface, to assure proper bolt tension and prevent damage to the mounting base. When direct coupling the reducer to the driven machine, carefully align the reducer output shaft to the input shaft of the driven machine. These shafts must be connected with a flexible coupling.

Power transmission components, such as sprockets, gears, or sheaves, mounted on the reducer shafts produce overhung loads. Mount these components as close as possible to the reducer with the hub facing outward. This mounting minimizes the load on the reducer shaft and bearings for increased life. Carefully align these components with their counterparts on the driven machine.



MAINTENANCE

Baldor reducers require no periodic maintenance. Visual inspection (for oil leakage and general operating condition) and a simple cleaning to remove dirt build up is recommended.

Accumulation of material on the reducer can lead to overheating and reduced life.

LUBRICATION

Klubersynth UH1-6-460 is suitable for USDA Class H1 environments. This synthetic lubrication does not require periodic changing. The lubrication should only be replaced when maintenance is performed that requires disassembly. Use only Klubersynth UH1-6-460. This lubrication is suitable for a wide temperature range (-13° to 320° F). However, refer to “Operating Environment” section for the ambient operating temperature for Baldor speed reducers.

MOUNTING POSITIONS

Because Baldor speed reducers do not require a breather vent, they are suitable for mounting in a wide variety of mounting positions without modification.

Avoiding those positions where the high-speed (input) oil seal is immersed in oil, will provide greater security against high-speed (input) seal wear. For maximum seal life, the reducer should be mounted with the high-speed (input) shaft as high as possible above the low-speed (output) shaft. Since the high-speed (input) oil seal experiences more revolutions than the output, it will also experience more heat and more wear. When the speed reducer is mounted in a manner where the high-speed (input) seal is below the oil level, and the seal is nearing the end of its useful life, the steady head of oil on the seal will result in a leak. If the reducer is mounted with the high-speed (input) seal above the oil level it may not leak even when the seal has reached the end of its useful life.

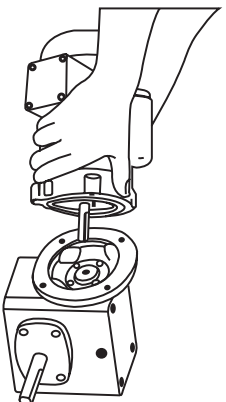
OPERATING ENVIRONMENT

Baldor Reducers are designed to operate in ambient temperatures of -10°F to 100°F. The oil sump temperature of the reducer must not exceed 200°F. Consult the factory for applications requiring ambient operating temperature outside this range.

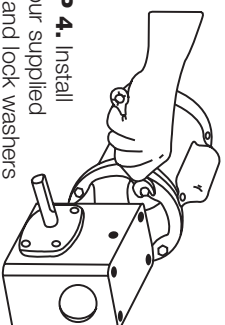
The input horsepower rating shown on the nameplate of each Baldor speed reducer is the continuous mechanical rating of 1.0 service factor at 1750 RPM. Before placing the reducer into service, confirm that its horsepower rating is consistent with the motor horsepower and desired service factor. Service factor and speed reducer ratings can be found in your Baldor Gear Product brochure, BR1600.

“C” FLANGE – HOLLOW BORE WORM STYLE:

STEP 1. Position key in reducer worm bore.
STEP 2. Apply anti-seize compound to the motor shaft.
STEP 3. Line up the key with the key slot and slip the motor shaft in the reducer worm bore.



STEP 4. Install the four supplied bolts and lock washers and tighten bolts evenly for a solid fit between motor and “C” flange.



EXTENDED “C” FLANGE WITH FLEXIBLE COUPLING STYLE:

- STEP 1.** Mount one coupling half on motor shaft so that the coupling half and end of key are flush with end of motor shaft. (See Drawing A).
- STEP 2.** Tighten coupling setscrews. (Thread locking compound is recommended on all coupling setscrews.)
- STEP 3.** Measure the distance from inner face of coupling to motor mounting surface. (See Drawing A “L”).
- STEP 4.** Mount other coupling half on the reducer input shaft so the coupling end measures the same distance “L” to the mounting surface of the “C” flange. (See Drawing B “L”)
- STEP 5.** Tighten setscrews.

Follow the lubrication directions.

