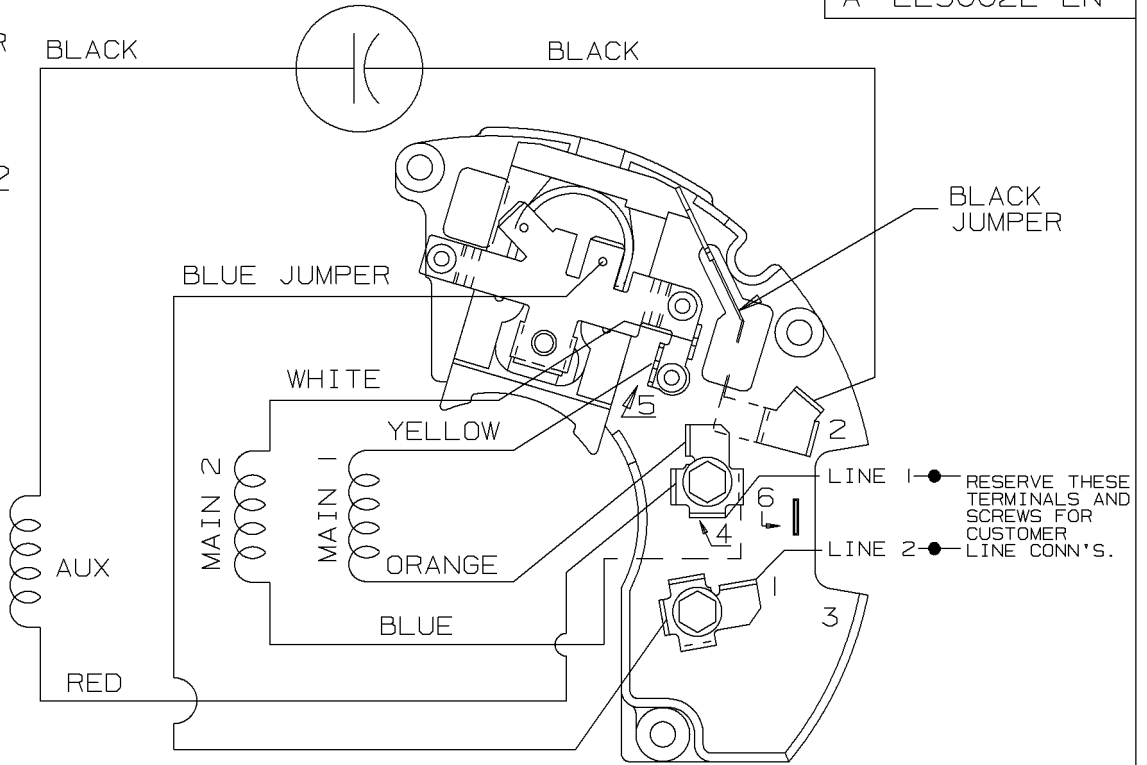


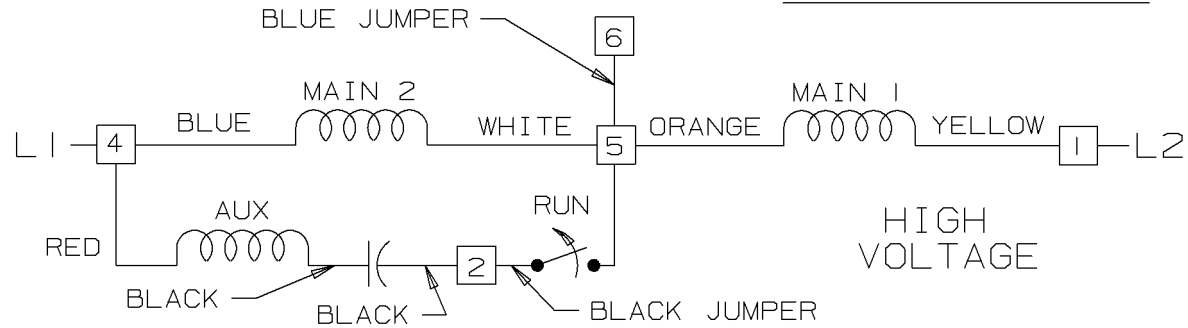
LOW VOLTAGE

DUAL VOLTAGE CAPACITOR START REVERSIBLE ON TERM BOARD NO OVERLOAD PROTECTION



VIEWING TERM END

LOW VOLTAGE CCW ROTATION SHOWN



HIGH VOLTAGE

FOR HIGH VOLTAGE:  
CONNECT BLUE TERM 1 TO TERM 6,  
CONNECT YELLOW TERM 5 TO TERM 1,  
CONNECT ORANGE TERM 4 TO TERM 5.

TO REVERSE ROTATION EITHER VOLTAGE INTERCHANGE RED LEAD WITH BLACK LEAD

					✓ UNLESS OTHERWISE SPECIFIED DIMENSIONS ARE IN INCHES TOL. ON XX±    XXX±.005    XXXX±.0005    ANGLES±			
					MAX. SURFACE ROUGHNESS UNLESS OTHERWISE NOTED		DRAWN BY BLR	10-04-1999
					FINISH		CHKD BY DRS	10-04-1999
1	10-04-1999	NEW DRAWING	BLR			APPD BY GK	10-04-1999	
REV	DATE	CHANGE	NAME	PART NAME CONNECTION DIAGRAM 48 FR. DUAL VOLTAGE REVERSIBLE				DRWG NO A- EE9002E-LN
					PURCHASED	CADD FILE NO.	EE9002E-LN	