

# **BALDOR® • RELIANCE**

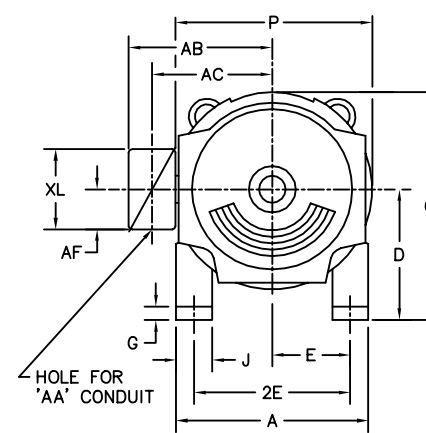
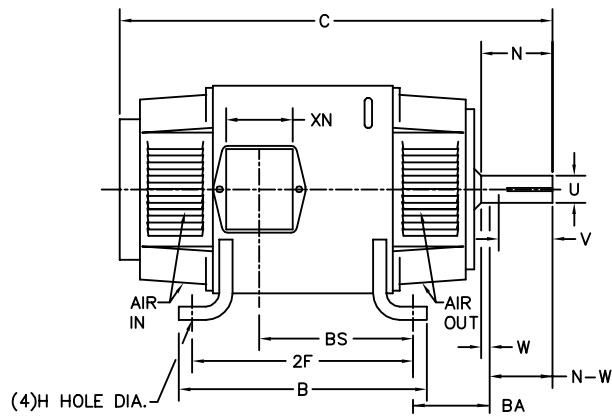
**Product Information Packet**

**ELECTRIC MOTOR WHOLESAL.COM**

**DMG2310**

**10KW,2500RPM,DC,219AT,DPFG,F2**

Part Detail			
Type:	DC	Prod. Type:	T
Power Code:	A	Weight:	250
Frame Group:	0219AT	Mounting Pos.:	F2
HP:	10	Enclosure:	DPFG
RPM:	2500	Wound:	COMPOUND
Service Factor:	1.0	Arm V:	230
Arm A:	43.50	Field V:	230
Field A:	1.22	Field A Hot:	.88-.38/.48-.19
Insulation Class:	F	Ambient:	40
Duty:	CONT	DE Bearing:	6207
ODE Bearing:	6207	Brushes:	150986-21-1
Brush Qty.:			



1486

FRAME	FOOT MOUNTING						D.E. SHAFT EXTENSION					DRIVE KEY		FRAME					
	BA	E	2F	G	H	J	N	N-W	U	V	W	KEY-SQ.	KEY-LONG	A	B	C	D	O	P
1810AT	2.75	3.75	11.00	.38	.406	1.50	2.90	2.77	1.125 <sup>1</sup>	2.50 <sup>3</sup>	.13	.250	1.38	8.81	12.25	21.46	4.50 <sup>2</sup>	9.00	9.00
219AT	3.50	4.25	11.00	.50	.406	2.00	3.00	2.75	1.375 <sup>1</sup>	2.50 <sup>3</sup>	.25	.312	1.75	10.38	12.00	24.50	5.25 <sup>2</sup>	10.47	10.44
258AT	4.25	5.00	12.50	.69	.531	2.25	3.44	3.25	1.625 <sup>1</sup>	3.00 <sup>3</sup>	.19	.375	2.31	12.38	14.00	26.50	6.25 <sup>2</sup>	12.47	12.44
259AT	4.25	5.00	14.00	.69	.531	2.25	3.44	3.25	1.625 <sup>1</sup>	3.00 <sup>3</sup>	.19	.375	2.31	12.38	15.50	28.00	6.25 <sup>2</sup>	12.47	12.44
288AT	4.75	5.50	14.00	.69	.531	2.50	3.91	3.75	1.875 <sup>1</sup>	3.50 <sup>3</sup>	.16	.500	2.50	13.81	15.62	32.00	7.00 <sup>2</sup>	13.88	13.75
328AT	5.25	6.25	16.00	.81	.656	3.00	4.40	4.25	2.125 <sup>1</sup>	4.00 <sup>3</sup>	.15	.500	3.12	15.88	17.75	34.63	8.00 <sup>2</sup>	15.94	15.88
329AT	5.25	6.25	18.00	.81	.656	3.00	4.40	4.25	2.125 <sup>1</sup>	4.00 <sup>3</sup>	.15	.500	3.12	15.88	19.75	36.63	8.00 <sup>2</sup>	15.94	15.88

FRAME	CONDUIT BOX							APPROXIMATE WEIGHT
	AA	AB	AC	AF	BS	XL	XN	
1810AT	3/4NPT	INTEGRAL WITH ENDPLATE						195
219AT	3/4-1	7.91	6.44	2.44	9.38	3.81	3.12	260
258AT	1 1/4	9.35	7.72	2.94	9.75	4.94	4.00	366
259AT	1 1/4	9.35	7.72	2.94	11.25	4.94	4.00	411
288AT	1 1/4	11.88	9.25	5.00	12.64	7.88	5.25	566
328AT	2	12.94	10.32	5.00	13.68	7.88	5.25	775
329AT	2	12.94	10.32	5.00	15.68	7.88	5.25	884

- 1) SHAFT DIAMETERS TO 1.500 TOLERANCE +.0000 - .0005  
SHAFT DIAMETERS ABOVE 1.500 TOLERANCE +.0000 - .0010  
SHAFT DIAMETERS TO 1.625 RUNOUT .002 T.I.R. MAX.  
SHAFT DIAMETERS ABOVE 1.625 RUNOUT .003 T.I.R. MAX.
- 2) 'D' DIMENSION TOLERANCE +.000 - .030
- 3) 'V' DIMENSION IS MAX. HUB LENGTH ON SHAFT
- 4) CONDUIT BOX CAN BE ROTATED IN 90° STEPS ON ITS OWN AXIS.
- 5) ALL DIMENSIONS NOT NOTED ARE NOMINAL DIMENSIONS CONSULT FACTORY FOR TOLERANCES.

FOR F1 OR F2 CONDUIT BOX  
LOCATION SEE SALES ORDER

CUSTOMER IS RESPONSIBLE FOR DETERMINING THAT MOTOR PERFORMANCE IS SUITABLE IN THE APPLICATION.

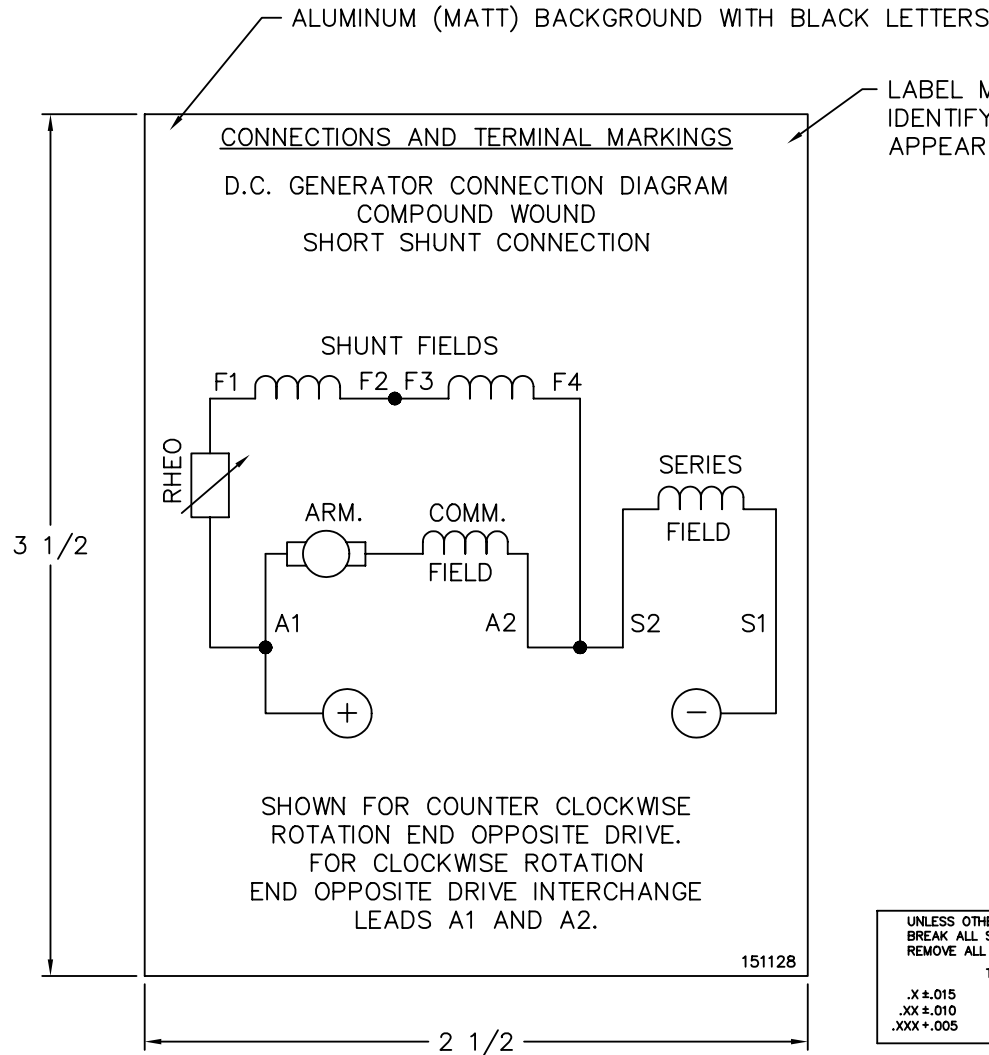
REV. DESC: UPDATE DWG			
REV. LTR: D	BY: RRL	REVISED: 12:44:56 01/27/2004	TDR: 323188
1486		FILE: CHB00003091	REF: 1486
		MTL: -	

**BALDOR ELECTRIC Co.**

DIM SHEET, 1810AT THRU 329AT GENERATORS

1486

151128



LABEL MANUFACTURER IDENTIFYING MARK TO APPEAR HERE

**NOTE:**  
MATERIAL .005 MINIMUM FULL HARD ALUMINUM DULL FINISH.  
TEMP. RANGE -20°C TO +125°C MAXIMUM.  
FOR INDOOR AND OUTDOOR MOUNTING BACK.  
METAL, PRESSURE SENSITIVE BACK. MUST MEET CSA STANDARD.  
THE CSA IDENTIFYING MARK OF THE LABEL MANUFACTURER MUST APPEAR IN THE UPPER RIGHT HAND CORNER AS INDICATED.

UNLESS OTHERWISE SPECIFIED,  
BREAK ALL SHARP EDGES .010/.020.  
REMOVE ALL BURRS.

TOLERANCES

.X ±.015	FRACTIONS ±1/32
.XX ±.010	RADII ±1/16
.XXX ±.005	ANGLES ±1°

151128

MATL: NOTED			
REV:	A	CHANGE ALL "NAMEPLATE" TEXT TO "LABEL"	
8Z1191	SCALE: -	BY: BKW	REVISED: 02/19/97
	FILE: CHB00003088	TDR: 0115147	

**BALDOR ELECTRIC Co.**

LABEL, CONNECTIONS AND TERMINAL MARKINGS DC GENERATORS


REL S.O.	FRAME	RATING	RPM	ARM. VOLTS	ARM. AMPS
	219AT	10.0HP	2500	230	43.5
WINDING TYPE		S.F.	ENCL.	AMB °C/INSUL	DUTY
STAB. SHUNT		1.0	DPG	40/F	CONT
					230
POWER CODE	TYPE	WK <sup>2</sup> (LB-FT <sup>2</sup> )	HOT ARM.CIR.RES.	FLD. AMPS@25 °C	HOT FIELD RES
A	T	1.201	1.02	1.21	261

ARM. CIR. IND. (mh)	FIELD IND. (H)	COOLING AIR(CFM/IN H 20)	TURNS PER COIL SHUNT/SERIES	TEST DATE
4.23	10.2	-/-	2300/11.5	-

LOAD PERFORMANCE					
LOAD	AMPERES	TORQUE IN OZ.-FT.	OUTPUT IN HP	RPM	% EFFICIENCY
NO LOAD	4971	0	0	4220	0
1/4	11	0	0	3978	0
2/4	22	0	0	3717	0
3/4	33	0	0	3466	0
4/4	44	0	0	3222	0
O.L.	65	0	0	2751	0

RPM VS. FIELD AMPS			Eg VS. FIELD AMPS		
FIELD AMPS	RPM N.L.	RPM F.L.	Eg N.L. @ BASE SPEED	Eg F.L. @ BASE SPEED	
.878	4219	3222	134	134	
6.22	-184	2929	333	234	
11.5	-34	2604	333	260	
16.9	-15	2831	333	266	
22.2	4219	3222	134	134	

REMARKS: TYPICAL DATA

	DR. BY E. GILLIOT	<b>D-C MOTOR PERFORMANCE DATA</b> DK0002A ISSUE DATE 11-19-07
	CK. BY B. GRANT APP. BY R.ERLACHER DATE 11-19-07	