

BALDOR® • RELIANCE

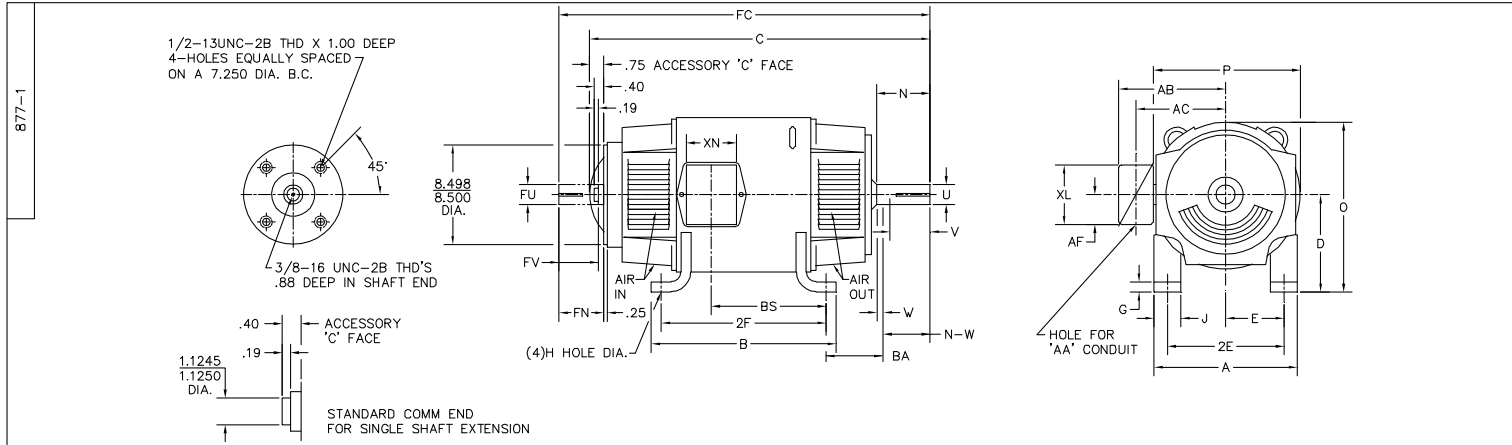
Product Information Packet

ELECTRIC MOTOR WHOLESAL.COM

D5060P

60HP/1750-2100RPM/DC/366AT

Part Detail			
Type:	DC	Prod. Type:	T
Power Code:	C	Weight:	790
Frame Group:		Mounting Pos.:	F1
HP:	60	Enclosure:	DPFG
RPM:	1750/2100	Wound:	STAB SHUNT
Service Factor:	1.0	Arm V:	500
Arm A:	98.60	Field V:	150/ 300
Field A:	5.86/2.93	Field A Hot:	3.50-2.60/1.75-
Insulation Class:	F	Ambient:	40
Duty:	CONT	DE Bearing:	6213
ODE Bearing:	6211	Brushes:	36024-3
Brush Qty.:			



FRAME	FOOT MOUNTING							D.E. SHAFT EXTENSION					DRIVE KEY		ACC SHAFT EXTENSION			ACC KEY		FRAME					
	BA	E	2F	G	H	J	N	N-W	U	V	W	KEY-SQ.	KEY-LONG	FN	FU	FV	KEY-SQ.	KEY-LONG	A	B	C	FC	D	O	P
327AT	5.25	6.25	14.00	.81	.656	3.00	4.40	4.25	2.125	4.00 ³	.15	.500	3.12	3.94	1.875	3.69	.500	2.81	15.88	15.75	33.50	36.71	8.00 ²	15.94	15.88
328AT	5.25	6.25	16.00	.81	.656	3.00	4.40	4.25	2.125	4.00 ³	.15	.500	3.12	3.94	1.875	3.69	.500	2.81	15.88	17.75	35.38	38.58	8.00 ²	15.94	15.88
329AT	5.25	6.25	18.00	.81	.656	3.00	4.40	4.25	2.125	4.00 ³	.15	.500	3.12	3.94	1.875	3.69	.500	2.81	15.88	19.75	37.38	40.58	8.00 ²	15.94	15.88
365AT	5.88	7.00	12.25	.81	.813	3.25	4.94	4.75	2.375	4.50 ³	.19	.625	3.50	4.62	2.125	4.37	.500	3.13	17.75	13.75	33.69	37.56	9.00 ²	17.94	17.88
366AT	5.88	7.00	14.00	.81	.813	3.25	4.94	4.75	2.375	4.50 ³	.19	.625	3.50	4.62	2.125	4.37	.500	3.13	17.75	15.50	35.88	39.75	9.00 ²	17.94	17.88
368AT	5.88	7.00	16.00	.81	.813	3.25	4.94	4.75	2.375	4.50 ³	.19	.625	3.50	4.62	2.125	4.37	.500	3.13	17.75	19.50	38.88	42.75	9.00 ²	17.94	17.88
3610AT	5.88	7.00	22.00	.81	.813	3.25	4.94	4.75	2.375	4.50 ³	.19	.625	3.50	4.62	2.125	4.37	.500	3.13	17.75	23.50	42.20	46.10	9.00 ²	17.94	17.88
3612AT	5.88	7.00	28.00	.81	.813	3.25	4.94	4.75	2.375	4.50 ³	.19	.625	3.50	4.62	2.125	4.37	.500	3.13	17.75	29.50	46.31	49.10	9.00 ²	17.94	17.88

FRAME	CONDUIT BOX							ARM APPROX. WK ² LBS.FT. ²	APPROXIMATE WEIGHT
	AA	AB	AC	AF	BS	XL	XN		
327AT	2	12.94	10.32	5.00	11.81	7.88	5.25	8.45	700 ⁵
328AT	2	12.94	10.32	5.00	13.68	7.88	5.25	9.67	775 ⁵
329AT	2	12.94	10.32	5.00	15.68	7.88	5.25	10.97	884 ⁵
365AT	2 1/2	14.06	11.38	5.00	9.06	7.88	5.25	15.61	765 ⁵
366AT	2 1/2	14.06	11.38	5.00	11.25	7.88	5.25	18.27	875 ⁵
368AT	2 1/2	14.06	11.38	5.00	14.25	7.88	5.25	22.21	1035 ⁵
3610AT	3	16.86	13.09	6.53	18.25	11.63	7.76	28.00	1070 ⁵
3612AT	3	16.86	13.09	6.53	24.25	11.63	7.76	31.60	1136 ⁵

- 1) SHAFT DIAMETERS TO 1.500 TOLERANCE +.0000 - .0005
- SHAFT DIAMETERS ABOVE 1.500 TOLERANCE +.0000 - .0010
- SHAFT DIAMETERS TO 1.625 RUNOUT .002 T.I.R. MAX.
- SHAFT DIAMETERS ABOVE 1.625 RUNOUT .003 T.I.R. MAX.
- 2) D' DIMENSION TOLERANCE +.000 - .060
- 3) V' DIMENSION IS MAX. IUB LENGTH ON SHAFT
- 4) CONDUIT BOX CAN BE ROTATED IN 90° STEPS ON ITS OWN AXIS.
- 5) TOTAL WEIGHT OF MOTOR.
- 6) ALL DIMENSIONS NOT NOTED ARE NOMINAL DIMENSIONS CONSULT FACTORY FOR TOLERANCES.

FOR F1 OR F2 CONDUIT BOX LOCATION SEE SALES ORDER

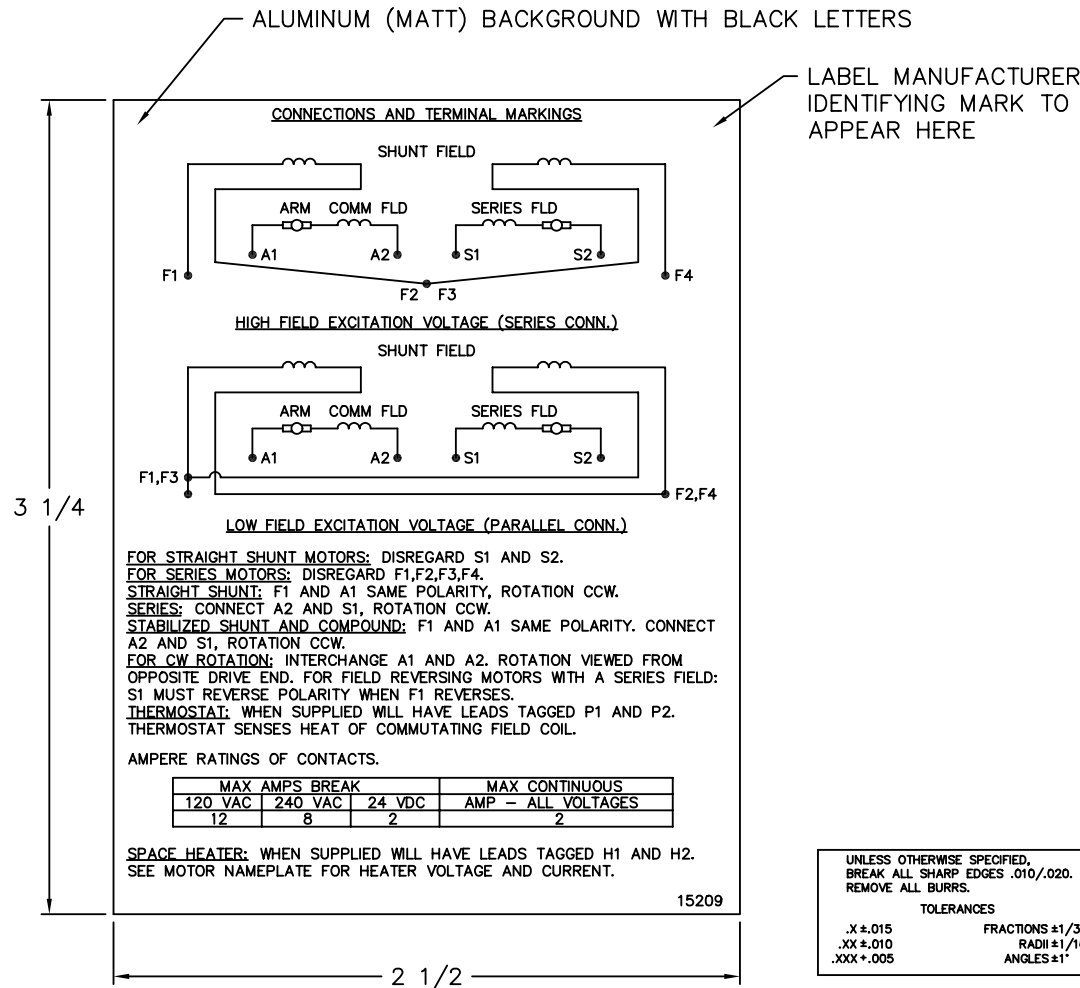
CUSTOMER IS RESPONSIBLE FOR DETERMINING THAT BALDOR'S PRODUCT WILL PERFORM SUITABLY IN THE INTENDED APPLICATION.

REV. DESC: RELOAD TO BUS	VERSION: 02	TDR: 000000773327
REV. LTR: C	REVISED: 10:43:23 11/09/2012	BY: RGGWT
MTL: -		

BALDOR

DIM SHEET
SH 1 of 1

15209



NOTE:
 MATERIAL .005 MINIMUM FULL HARD ALUMINUM DULL FINISH.
 TEMP. RANGE -20°C TO +125°C MAXIMUM.
 FOR INDOOR AND OUTDOOR MOUNTING BACK.
 METAL, PRESSURE SENSITIVE BACK. MUST MEET CSA STANDARD.
 THE CSA IDENTIFYING MARK OF THE LABEL MANUFACTURER MUST APPEAR IN THE UPPER RIGHT HAND CORNER AS INDICATED.

MATL: NOTED

REV: G CHANGE ALL "NAMEPLATE" TEXT TO "LABEL"

60Z91

SCALE: - BY: BKW REVISED: 02/19/97
 FILE: CHB00002485 TDR: 0115147

BALDOR ELECTRIC Co.

LABEL, CONNECTIONS AND TERMINAL MARKINGS DC

15209