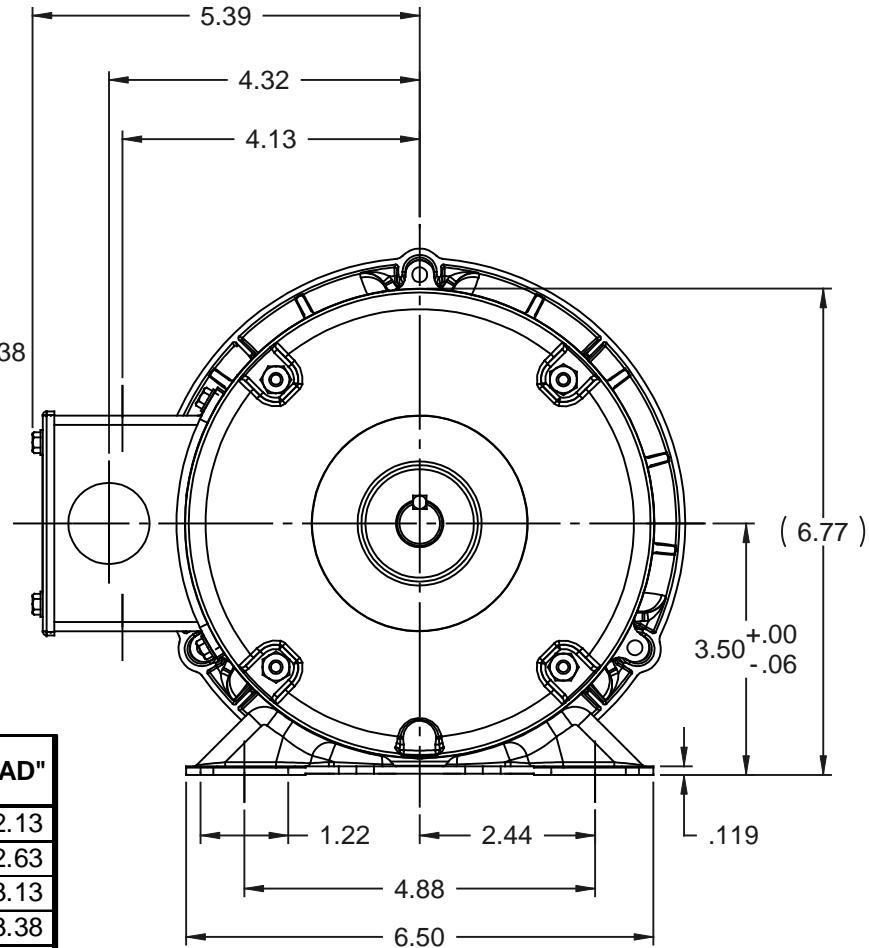
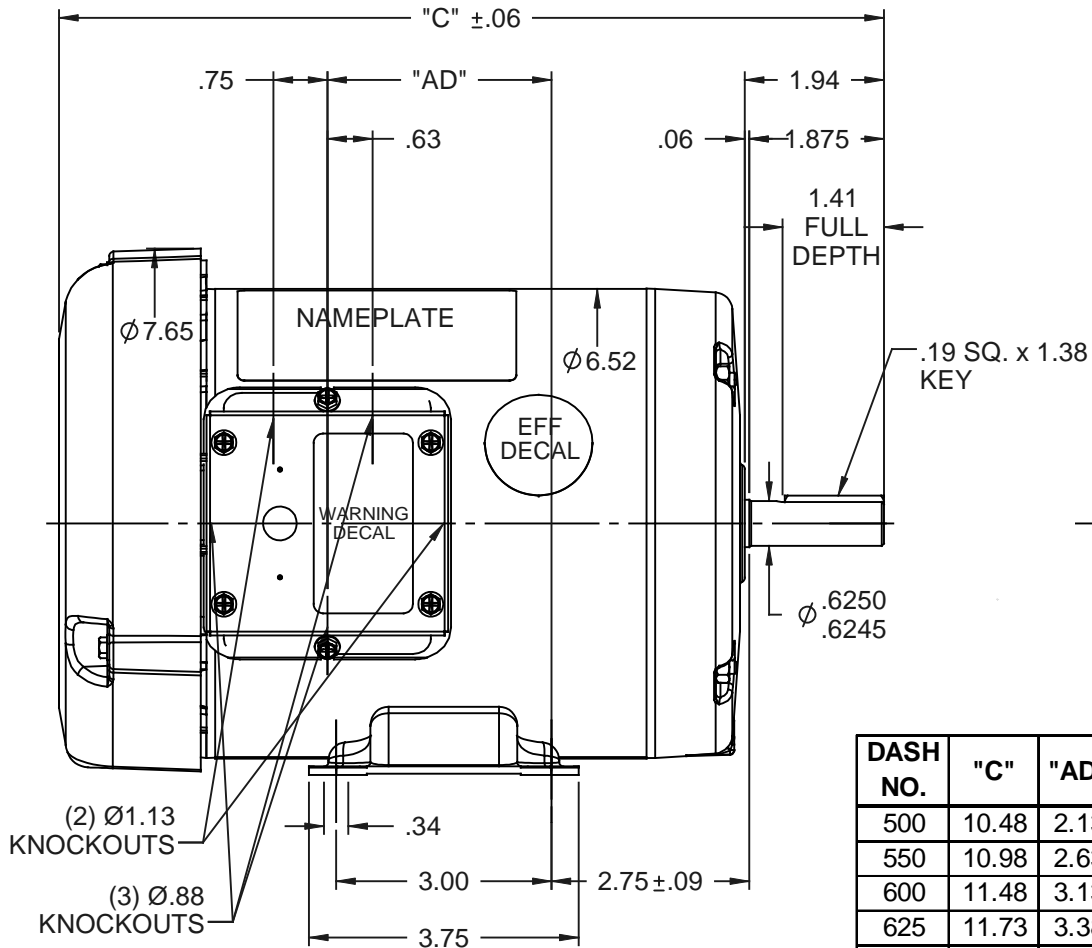


This document is the property of REGAL BELOIT CORPORATION ("RBC") including its subsidiaries and divisions and contains proprietary information of RBC. This document is loaned on the express condition that neither it nor the information contained therein shall be disclosed to others without the express written consent of RBC, and that the information shall be used by the recipient only as approved expressly by RBC. This document shall be returned to RBC upon its request. This document may be subject to certain restrictions under U.S. export control laws and regulations.



DASH NO.	"C"	"AD"
500	10.48	2.13
550	10.98	2.63
600	11.48	3.13
625	11.73	3.38
650	11.98	3.63
700	12.48	4.13
750	12.98	4.63

NOTES:
1) GASKETS THROUGHOUT

				TOLERANCES UNLESS SPECIFIED		DRAWN KMM 08/10/07	
				DEC INCHES		CHK	
				.X ±.1		APPR	
				.XX ±.03		SCALE 3:8	
02	ADDED ITEM #625 (110444.00)	GRB 11/17/2008	DJ	.XXX	±.005	TITLE OUTLINE - 56 FRAME TEFC - RIGID	
01	ADDED ITEM #S 700 & 750	RVD 09/05/2008	VS	.XXXX	±.0005	REF 034977	
NO	REVISION	BY & DATE	CHK	ANG	±1/2°	FMF 110444.00	
				FINISH GENERAL PURPOSE		PAGE OF	
THIRD ANGLE PROJECTION				RFP		SIZE DRAWING NO	
				PREV		A 028781	
				NETWORK FILE NAME 028781		REV 02	



REGAL-BELOIT CORPORATION