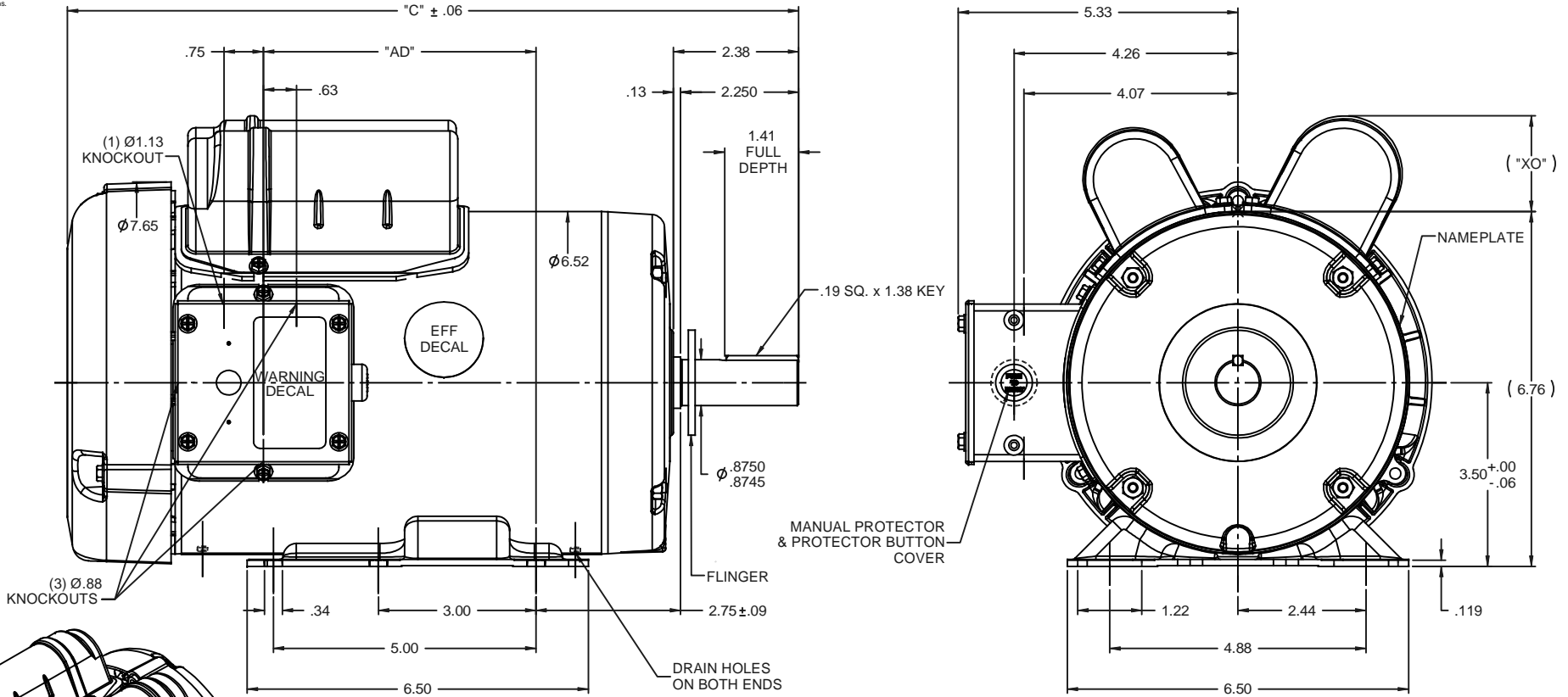
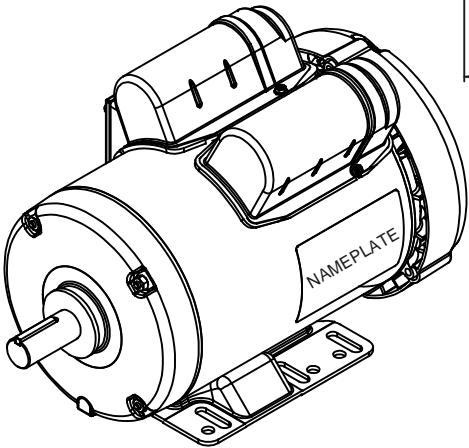


RBC PROPRIETARY AND CONFIDENTIAL INFORMATION  
 This document is the property of REGAL BELOIT CORPORATION ("RBC") including its subsidiaries and divisions and contains proprietary information of RBC. This document is loaned on the express condition that neither it nor the information contained therein shall be disclosed to others without the express written consent of RBC, and that the information shall be used by the recipient only as approved expressly by RBC. This document shall be returned to RBC upon its request. This document may be subject to certain restrictions under U.S. export control laws and regulations.



DASH NO.	"C"	"AD"	CAP DASH	"XO"
700	12.93	4.19	A	1.15
750	13.43	4.69	B	1.60
800	13.93	5.19	C	1.82
850	14.43	5.69		

FARM DUTY MOTOR  
 NOTES:  
 1) FLINGER ON SHAFT  
 2) GASKETS THROUGHOUT



REVISION		BY & DATE	CHK	ANG	±1/2"	FINISH	PAGE 1 OF 1	
			RFP			PREV	SIZE	DRAWING NO
							B	028769
								REV

TOLERANCES UNLESS SPECIFIED	DEC	INCHES
x	±.1	
.xx	±.03	
.xxx	±.005	
.xxxx	±.0005	

LEESON ELECTRIC MOTORS GEARMOTORS AND DRIVES		DRAWN	KMM 07/10/07
		CHK	
		APPR	
TITLE OUTLINE - 56HZ FRAME		SCALE	1:2
TEFC - RIGID		REF	OL110090
		FMF	110090.00