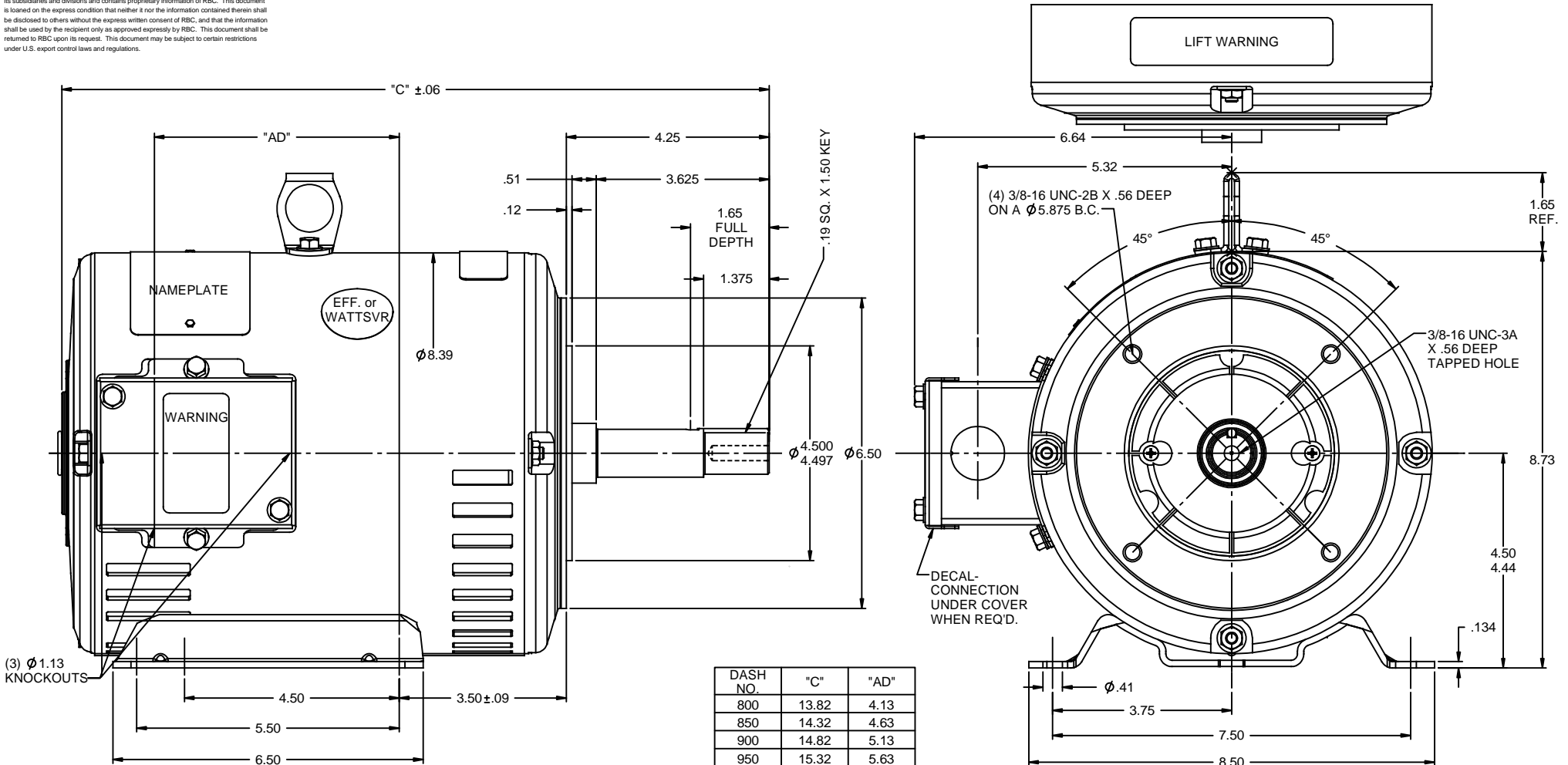
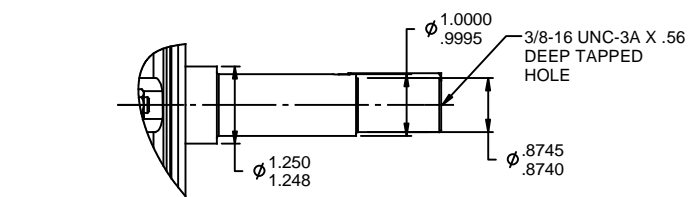


RBC PROPRIETARY AND CONFIDENTIAL INFORMATION  
 This document is the property of REGAL BELOIT CORPORATION ("RBC") including its subsidiaries and divisions and contains proprietary information of RBC. This document is loaned on the express condition that neither it nor the information contained therein shall be disclosed to others without the express written consent of RBC, and that the information shall be used by the recipient only as approved expressly by RBC. This document shall be returned to RBC upon its request. This document may be subject to certain restrictions under U.S. export control laws and regulations.



DASH NO.	"C"	"AD"
800	13.82	4.13
850	14.32	4.63
900	14.82	5.13
950	15.32	5.63
1000	15.82	6.13
1050	16.32	6.63
1100	16.82	7.13

MAXIMUM FACE RUNOUT TO BE .004 T.I.R.  
 MAXIMUM PILOT ECCENTRICITY TO BE .004 T.I.R.  
 PERMISSIBLE SHAFT RUNOUT TO BE .002 T.I.R.



SHAFT DETAIL

REVISION		BY & DATE	CHK	ANG	FINISH	PREV	SIZE	DRAWING NO	REV
- UPDATED & REDRAWN IN SOLIDWORKS		LST 12/18/2009	XX	XXX	±.0005	MATL			
NO			RFP	±1/2°			B	035361	-

TOLERANCES UNLESS SPECIFIED:  
 DEC INCHES  
 X ±.1  
 .XX ±.03  
 .XXX ±.005  
 .XXX ±.0005

REGAL BELOIT CORPORATION  
 TITLE: OUTLINE - 180JM FRAME  
 DRIP PROOF - JM PUMP MOUNT - 3PH

DRAWN: RSK 9/22/97  
 CHK: RK 9/23/97  
 APPR: RSK 9/23/97  
 SCALE: 1:2  
 REF: 035326  
 FMF: 131562  
 PAGE: OF