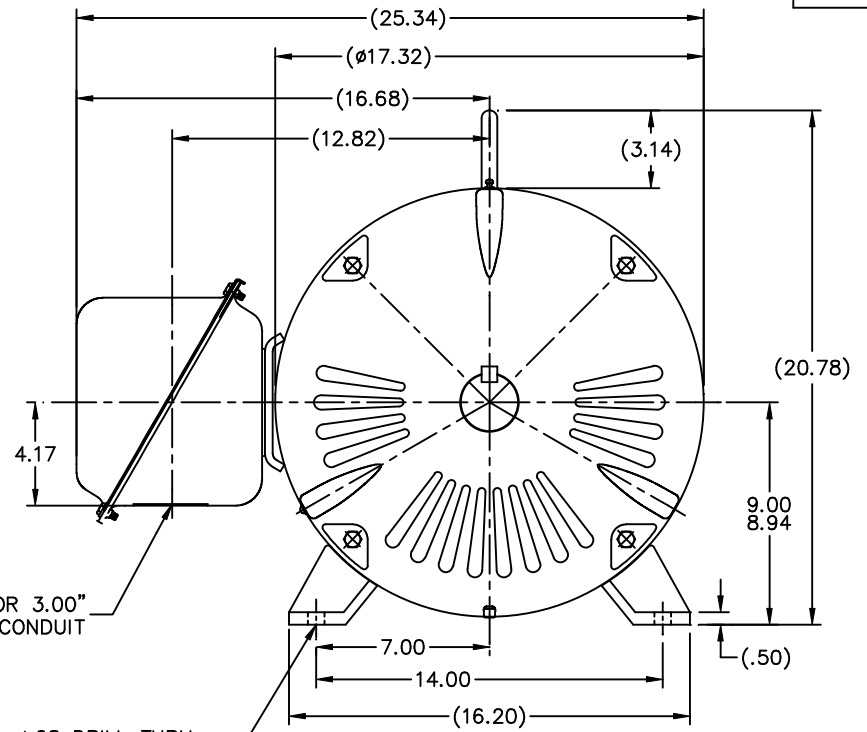


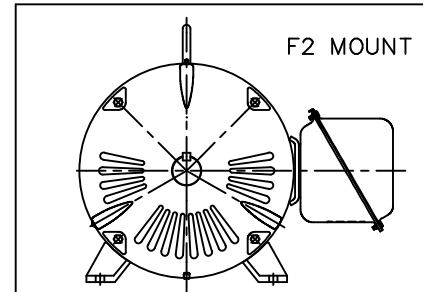
.62x.62x4.25  
KEY

2.375  
2.374



HOLE FOR 3.00"  
CONDUIT

Ø.68 DRILL THRU  
364 - 2 HOLES EACH SIDE  
365 - 4 HOLES EACH SIDE



NOTES:  
1. NAMEPLATES TO BE READ FROM CONDUIT BOX  
SIDE OF MOTOR.

DASH	FRAME	C	B	2F	2FF	2FFF	BS
1548	364T	28.40	14.61	11.25	<del>11.25</del>	<del>11.25</del>	11.02
1648	365T	29.40	15.61	12.25	11.25	11.25	12.02

		TOLERANCES UNLESS SPECIFIED		Lincoln MOTOR		DRAWN TJB 08-07-2001	
		DEC.	INCHES			CHK	DRS 09-04-2001
		.X	±.1			APPD	HNH 09-04-2001
2	ADDED DASH 1548, REVISED PART NAME; U.E.I. WAS U.E. CN34267	.XX	±.03	TITLE OUTLINE NEMA MOTORS 360T FRAME OPD UEI		SCALE	1=5
1	NEW DRAWING MU37565	.XXX	±.005			REF	
NO.	REVISION	BY & DATE	CHK	ANG	FINISH	FMF	PREV
THIS DRAWING IN DESIGN AND DETAIL IS OUR PROPERTY AND MUST NOT BE USED EXCEPT IN CONNECTION WITH OUR WORK ALL RIGHTS OF DESIGN AND INVENTION ARE RESERVED THIS IS AN ELECTRONICALLY GENERATED DOCUMENT - DO NOT SCALE THIS PRINT		RFP 09-04-2001	±7'30"	CAD FILE xh2d1ss1		SIZE	DRAWING NO. PAGE 1 OF 1 REV.
		DIST BY				B	XH2D1SS1 2