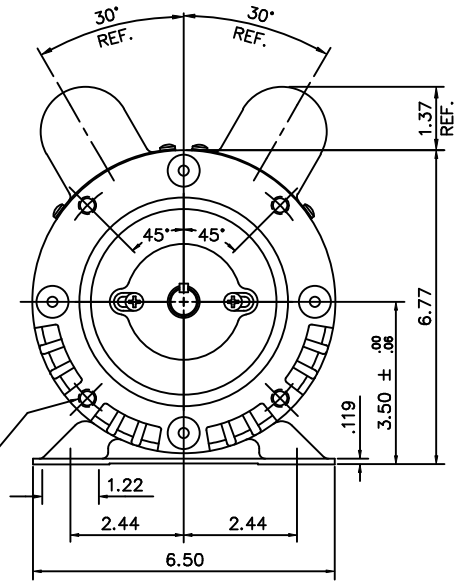


3/8-16 TAP - .56 DEEP  
4 REQ'D. ON A 5.875 DIA. B.C.



MAXIMUM FACE RUNOUT TO BE .004 T.I.R.  
MAXIMUM PILOT ECCENTRICITY .004 T.I.R.  
PERMISSIBLE SHAFT RUNOUT .002 T.I.R.

				TOLERANCES UNLESS OTHERWISE SPECIFIED			LEESON ELECTRIC CORPORATION		
				DEC.	INCHES	METRIC			
				.X	±.1	±2.5	DRAWN BPW 01/06/00	TITLE	
02	UPDATED C-FACE ENDBELL	ARV 10/18/05		.XX	±.03	±.75	APPR.	OUTLINE - G56HC FRAME OPEN DRIP PROOF	
01	ADDED DECLALS	RLW 8/31/01		.XXX	±.005	±.127	R.F.P.	MAT'L.	
NO.	REVISION	BY & DATE	CH'K'D.	.XXXX	±.0005	±.0127	SCALE	3=8	
THIS DRAWING IN DESIGN AND DETAIL IS OUR PROPERTY AND MUST NOT BE USED EXCEPT IN CONNECTION WITH OUR WORK ALL RIGHTS OF DESIGN AND INVENTION ARE RESERVED THIS IS AN ELECTRONICALLY GENERATED DOCUMENT - DO NOT SCALE THIS PRINT				FRACTIONS	±1/64	REF.	033936	FINISH	STANDARD
				ANGLES	± -	FMF		REV.	02
								DRAWING NO.	OL113700

ERROR: undefined  
OFFENDING COMMAND: initcli

STACK:

-savelevel-