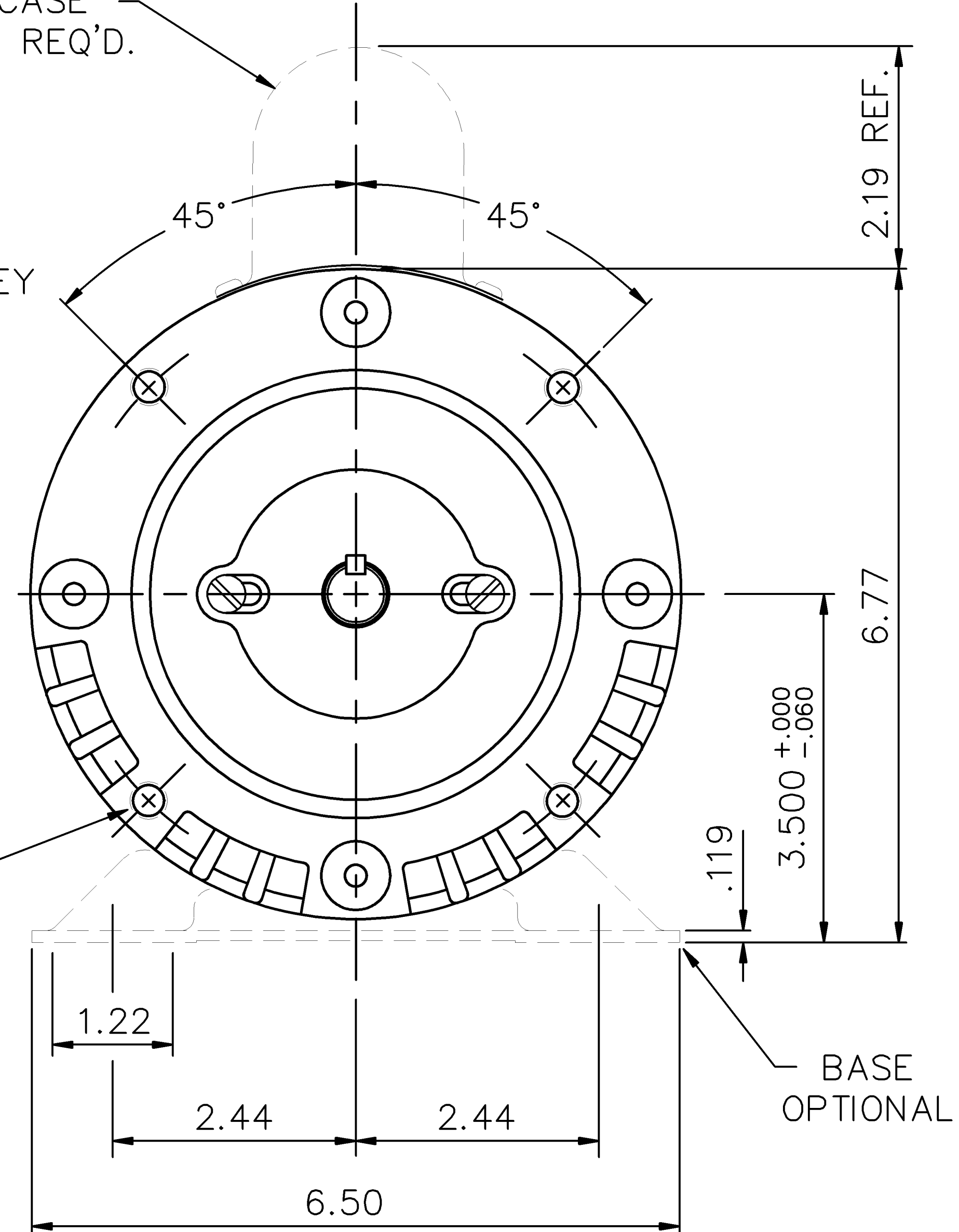


CAP CASE WHEN REQ'D.



3/8-16 TAP .56 DEEP  
4 REQ'D ON A  
5.875 DIA BC

FRAME	"C"	"L"	"AD"
C56	9.88	3.75	2.88
D56	10.38	4.25	3.38
E56	10.88	4.75	3.88
F56	11.38	5.25	4.38
G56	11.88	5.75	4.88
H56	12.38	6.25	5.38
J56	12.88	6.75	5.88

MAXIMUM FACE RUNOUT .004 TIR  
MAXIMUM PILOT ECCENTRICITY .004 TIR  
PERMISSIBLE SHAFT RUNOUT .002 TIR

**LEESON** ELECTRIC CORPORATION

NO.	REVISION	BY	DATE
05	BASE HEIGHT TOL. WAS -.030	TMZ	05/19/98
04	REDRAWN ON CAD	CHB ARV	4/2/96

TOLERANCES UNLESS OTHERWISE SPECIFIED	
DECIMALS	
.00	± .01
.000	± .005
.0000	± .0005
FRACTIONS	± 1/64
ANGLES	± 1/2°
INCH/MM	

DRAWN	ADH 11/14/73	TITLE	OUTLINE - 56 FRAME C FACE - OPEN	
CH'K'D.		MAT'L.	NLV	BRF
APPR.		FINISH		SIZE
SCALE	3=8			A
REF.		DRAWING NO.	032505	
FMF				

THIS DRAWING IN DESIGN AND DETAIL IS OUR PROPERTY AND MUST NOT BE USED EXCEPT IN CONNECTION WITH OUR WORK ALL RIGHTS OF DESIGN AND INVENTION ARE RESERVED