



A Regal Brand

Catalog # : 199775.00
Product Type: AC MOTOR
Description:

Model: 199775.00
Stock: Y

Quote: Price:

Date: 04/25/2019

Hazardous Loc
Explosion Proof
Class
Class

NONE

Temp Op Code
GROUP
GROUP

Brake Motors
FORCE
VDC
ADC

Brake Coil OHMs @25 C

Performance
Torque UOM
Torque
CURRENT (amps)
Efficiency (%)
PowerFactor

Inertia (WK²)

Load Curve Data @60/50 HzVolts,7 1/2Horsepower

Load	Amps	KW	RPM	Torque	Eff	PF	Rise By Resis	Frame Rise
0.0	4.4	0.4	1800	0.0	0.0	5.5	0.0	-
0.25	4.9	1.6	1792	5.5	87.5	47.0	0.0	-
0.5	6.1	3.1	1785	11.0	90.2	68.0	0.0	-
0.75	7.7	4.6	1775	16.7	91.7	77.0	0.0	-
1.0	9.3	6.1	1768	22.3	91.0	83.0	35.0	-
1.15	11.0	7.1	1762	25.8	91.0	81.5	50.0	-
1.25	12.0	7.8	1755	28.0	91.0	82.0	60.0	-

SOURCE: CALCULATED GROUP: 1

Load Curve Data @60/50HzVolts,7 1/2Horsepower

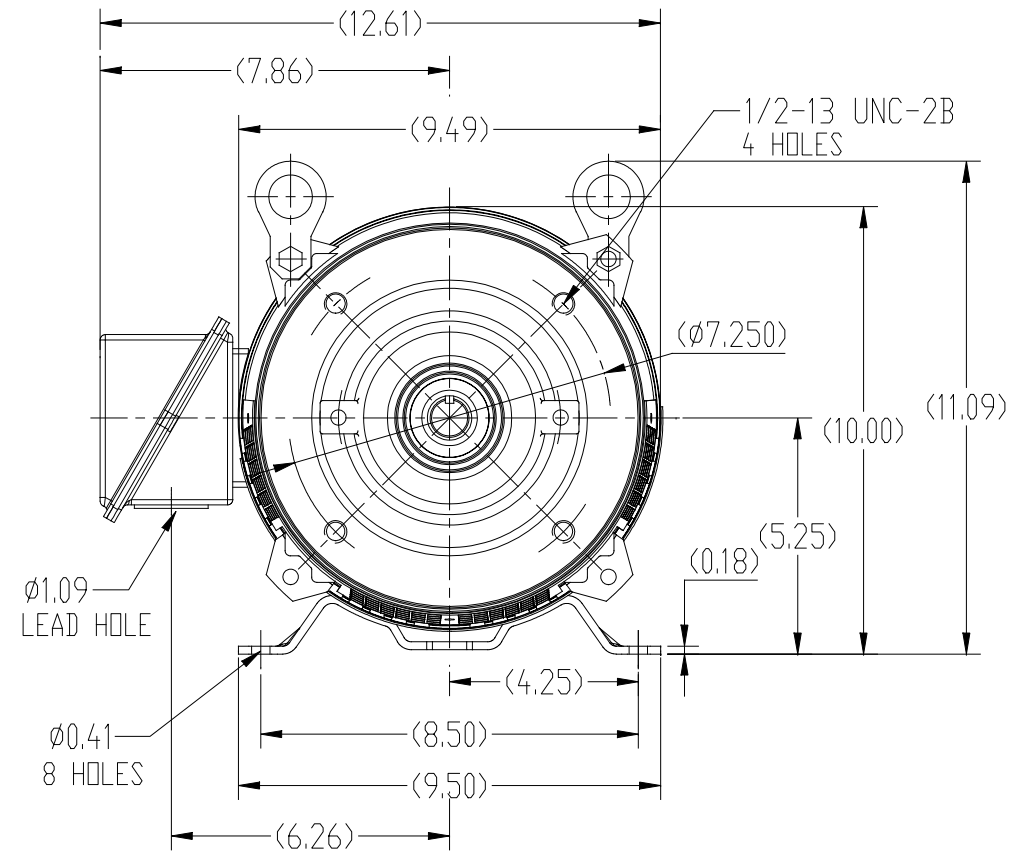
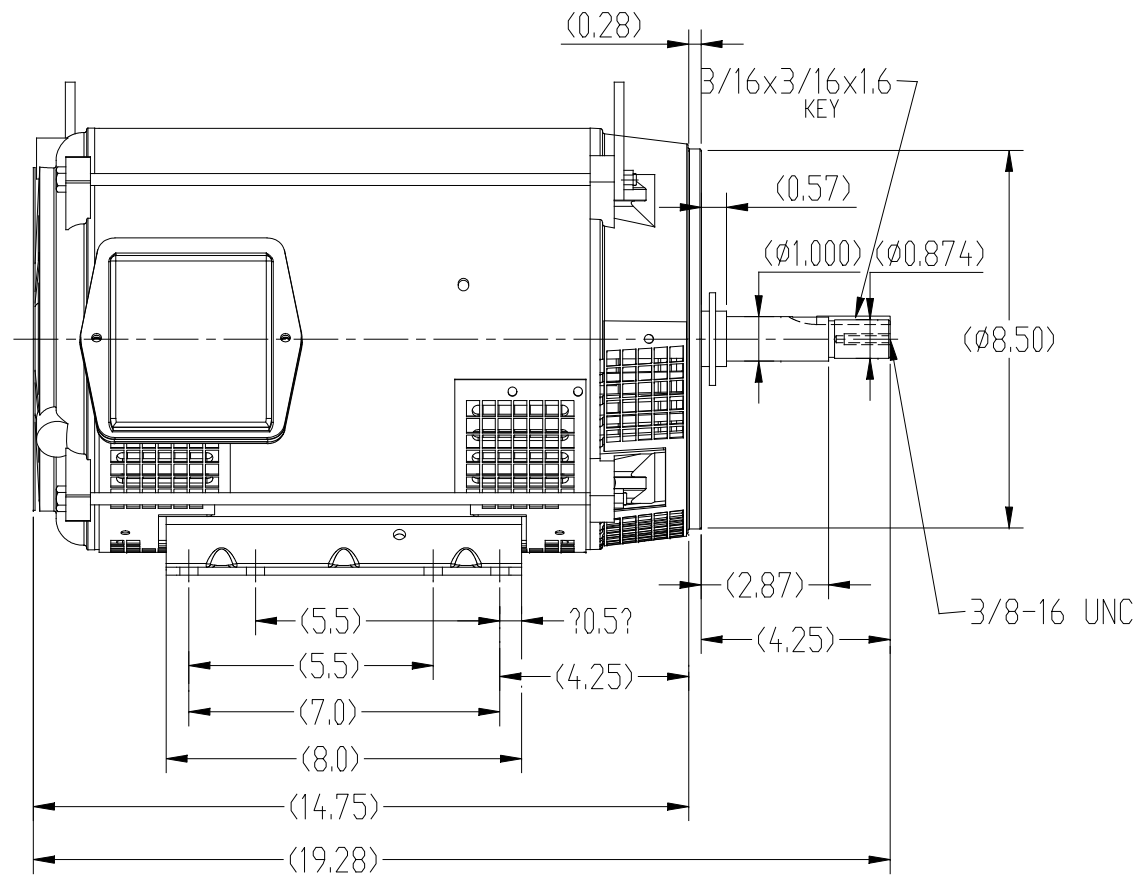
Load	Amps	KW	RPM	Torque	Eff	PF	Rise By Resis	Frame Rise
------	------	----	-----	--------	-----	----	---------------	------------

Load Curve Data Not Available

Quote: Price:

Date: 04/25/2019

SS620860



		TOLERANCES UNLESS SPECIFIED		REGAL-BELOIT CORPORATION		DRAWN ZYH 6-8-2010	
		DEC.	INCHES			CHK HZJ 6-8-2010	
		.X	±.1			APPD CL 6-8-2010	
		.XX	±.03	TITLE		SCALE 1=5	
		.XXX	±.005	213/215T FR-JM-ROLLED STEEL		REF	
A	RELEASED FOR PRODUCTION ECO-0093138	WGJ	09-06-17	EMH	.XXXX	±.0005	MAT'L.
NO.	REVISION		BY & DATE	CHK	ANG	±1/2	FINISH
THIS DRAWING IN DESIGN AND DETAIL IS OUR PROPERTY AND MUST NOT BE USED EXCEPT IN CONNECTION WITH OUR WORK ALL RIGHTS OF DESIGN AND INVENTION ARE RESERVED THIS IS AN ELECTRONICALLY GENERATED DOCUMENT - DO NOT SCALE THIS PRINT				RFP	CAD FILE SS620860		SIZE DRAWING NO.
				DIST			B SS620860
						REV. A	

