

PRODUCT INFORMATION PACKET



Model No: A6T17XC37A

Catalog No: 119427.00

..1.5HP..1800RPM.56C.EPFC.230/460V.3PH.60HZ.CONT.40C.1.00SF.C FACE.....GENERAL
PURPOSE.AUTO.....

Explosion Proof



Regal and Leeson are trademarks of Regal Beloit Corporation or one of its affiliated companies.

©2018 Regal Beloit Corporation, All Rights Reserved. MC017097E





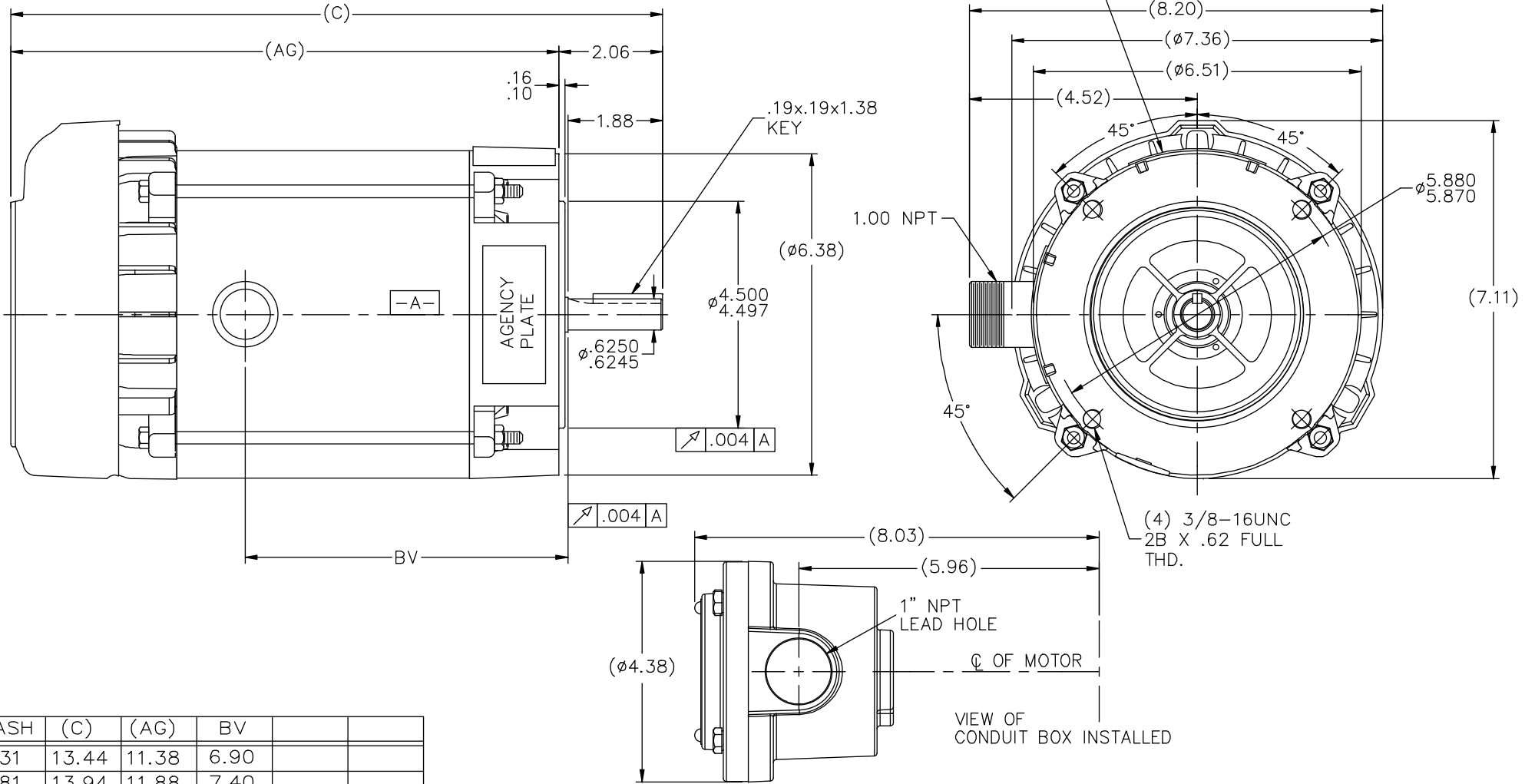
Nameplate Specifications

Output HP	1.50 Hp	Output KW	1.1 kW
Frequency	60 Hz	Voltage	230/460 V
Current	4.6/2.3 A	Speed	1725 rpm
Service Factor	1	Phase	3
Efficiency	86.5 %	Duty	Continuous
Insulation Class	B	Design Code	B
KVA Code	P	Frame	56C
Enclosure	Explosion Proof Fan cooled	Overload Protector	Automatic
Ambient Temperature	40 °C	Drive End Bearing Size	6203
Opp Drive End Bearing Size	6203	UL	Recognized
CSA	Y	CE	N
IP Code	54		

Technical Specifications

Electrical Type	Squirrel Cage Induction Run	Starting Method	Across The Line
Poles	4	Rotation	Reversible
Mounting	Round	Motor Orientation	HORIZONTAL
Drive End Bearing	BALL	Opp Drive End Bearing	BALL
Frame Material	Rolled Steel	Shaft Type	NEMA 56
Overall Length	15.94 in	Frame Length	8.81 in
Shaft Diameter	0.625 in	Shaft Extension	1.88 in
Assembly/Box Mounting	F1 ONLY		
Outline Drawing	B-104188LE-881	Connection Diagram	A-EE7335LE

NAMEPLATES TO BE READ FROM SHAFT EXT. END.



DASH	(C)	(AG)	BV		
631	13.44	11.38	6.90		
681	13.94	11.88	7.40		
731	14.44	12.38	7.90		
781	14.94	12.88	8.40		
831	15.44	13.38	8.90		
881	15.94	13.88	9.40		
931	16.44	14.38	9.90		
981	16.94	14.88	10.40		

		TOLERANCES UNLESS SPECIFIED		LEESON		ELECTRIC MOTORS GEARMOTORS AND DRIVES		DRAWN RJW 06-22-2007	
		DEC.	INCHES					CHK	ML 06-22-2007
		.X	±.1					APPD	GK 06-22-2007
		.XX	±.03	TITLE		OUTLINE - 'C' FACE		SCALE	17=32
		.XXX	±.005			56 FR. - EXP. PR.		REF	
01	COND. BOX INSTALLED VIEW UPDATED PER ECR-0044571	UD	10/10/13	ST	.XXXX	±.0005	MAT'L.	FMF	
NO.	REVISION	BY & DATE	CHK	ANG	FINISH		PREV		
	THIS DRAWING IN DESIGN AND DETAIL IS OUR PROPERTY AND MUST NOT BE USED EXCEPT IN CONNECTION WITH OUR WORK ALL RIGHTS OF DESIGN AND INVENTION ARE RESERVED THIS IS AN ELECTRONICALLY GENERATED DOCUMENT - DO NOT SCALE THIS PRINT			RFP	06-22-2007	CAD FILE	104188LE	SIZE	DRAWING NO. PAGE OF REV.
			DIST	WP			B	104188LE	01



CERTIFICATION DATA SHEET

P.O. BOX 8003
WAUSAU, WI 54401-8003
PH. 715-675-3311

DATA VOLTS: 460

CONN. DIAGRAM: A-EET7335LE
OUTLINE: B-104188LE-381
WINDING: ZT4256

CAT #: 119427.00

FR 3

TYPICAL MOTOR PERFORMANCE DATA

HP	KW	SYNC RPM	FL RPM	FRAME	ENCLOSURE	TYPE	KVA CODE	DESIGN	
1.5	1.1	1800	1755	56C	TEFC	TFR	P	A	
PH	HZ	VOLTS	AMPS	START TYPE	DUTY	INSL	S.F.	AMB	ELEV.
3	60/50	230/460#190/380	4.6/2.3&5.4/2.7	ACROSS THE LINE	CONT	B	1.15	40	3300

F.L. EFF	F.L. PF	3/4 LD EFF	3/4 LD PF	85.5	62.5	1/2 LD EFF	1/2 LD PF	82.5	49.0	GTD EFF	84.0	ELECT. TYPE
86.5	71.0	86.5	71.0	62.5	62.5	82.5	49.0	84.0	49.0	84.0	84.0	SO CAGE IND RUN

F.L. TORQUE	LR AMPS @ 460 V	24.0	21.2	LB-FT	471%	26.0	LB-FT	578%	F.L. RISE (°C)	35
4.5	LB-FT	24.0	21.2	LB-FT	471%	26.0	LB-FT	578%	F.L. RISE (°C)	35

PRESSURE @ 3	POWER	71	DBA	ROTOR WK²	0.14	LB-FT²	10	LB-FT²	SAFE STALL TIME	20	SEC.	STARTS/HOUR	2	MOTOR WGT	50	LB.
62	DBA	71	DBA	ROTOR WK²	0.14	LB-FT²	10	LB-FT²	SAFE STALL TIME	20	SEC.	STARTS/HOUR	2	MOTOR WGT	50	LB.

*** SUPPLEMENTAL INFORMATION ***

DE BRACKET TYPE	ODE BRACKET TYPE	STANDARD	MOUNT TYPE	ROUND	MOTOR ORIENTATION	HORIZONTAL	NO	SEVERE DUTY	HAZARDOUS LOCATION	DRIP COVER	SCREENS	PAINT
C-FACE	STANDARD	STANDARD	ROUND	ROUND	HORIZONTAL	HORIZONTAL	NO	SEVERE DUTY	HAZARDOUS LOCATION	DRIP COVER	SCREENS	PAINT

BEARINGS DE	ODE	GREASE	POLYREX EM	SHAFT TYPE	STANDARD 56	SPECIAL DE	NONE	SPECIAL ODE	SHAFT	MATERIAL	FRAME MATERIAL
BALL	BALL	GREASE	POLYREX EM	SHAFT TYPE	STANDARD 56	SPECIAL DE	NONE	SPECIAL ODE	SHAFT	MATERIAL	FRAME MATERIAL
6203	6203	POLYREX EM	POLYREX EM	STANDARD 56	STANDARD 56	NONE	NONE	SPECIAL ODE	SHAFT	MATERIAL	FRAME MATERIAL

THERMOSTATS	PROTECTORS	AUTOMATIC	WDG RTD's	NONE	BRG RTD's	NONE	THERMISTORS	NONE	CONTROL	FALSE	SPACE HEATERS	NA
NONE	PROTECTORS	AUTOMATIC	WDG RTD's	NONE	BRG RTD's	NONE	THERMISTORS	NONE	CONTROL	FALSE	SPACE HEATERS	NA

R1 (ohms/ph)	R2 (ohms/ph)	3.78	X1 (ohms/ph)	7.125	X2 (ohms/ph)	7.163	Xm (ohms/ph)	189.605	VIBRATION (in/sec)	0.150	FLOAT	ODE
4.838	R2 (ohms/ph)	3.78	X1 (ohms/ph)	7.125	X2 (ohms/ph)	7.163	Xm (ohms/ph)	189.605	VIBRATION (in/sec)	0.150	FLOAT	ODE

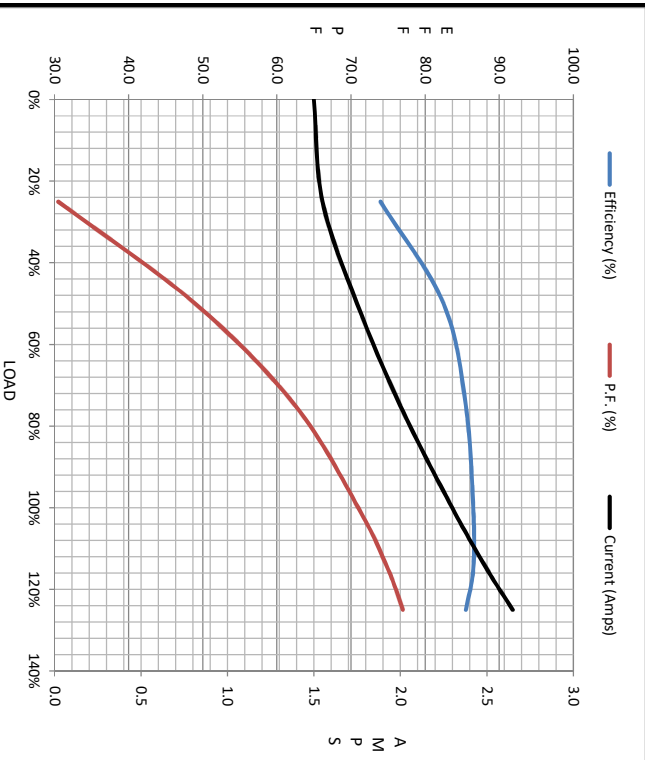
			INVERTER TORQUE: NONE		
			INV. HP SPEED RANGE: NONE		
			ENCODER: NONE		
			BRAKE: NONE		
			FT-LB: NONE		
			VOLTAGE: NONE		
			NONE PPR		

DATE: 1/17/2018			UL: Y-(LEESON UL REC)		
			HZ:		



Motor Load Data									
Load	0%	25%	50%	75%	100%	115%	125%	LR	
Current (Amps)	1.50	1.55	1.75	2.00	2.30	2.50	2.65	24.0	
Torque (ft-lb)	0.00	1.10	2.20	3.5	4.5	5.2	5.7	21.2	
RPM	1800	1790	1780	1755	1735	1750	1745	0	
Efficiency (%)		74.0	82.5	85.5	86.5	85.5	85.5		
P.F. (%)	7.5	30.5	49.0	62.5	71.0	75.0	77.0	69.5	

Motor Speed Data						Information Block																					
Speed (RPM)	LR	Pull-Up	BD	Rated	Idle	HP	Sync. RPM	Frame	Enclosure	Construction	Voltage	Frequency	Design	LR Code letter	Service Factor	Temp Rise @ FL	Duty	Ambient	Elevation	Rotor/Shaft wk ²	Ref Wdg	Sound Pressure @ 1M	VFD Rating	Outline Dwg	Conn. Diag	Additional Specifications:	
0		130	1190	1755	1800	1.5	1800	145	TEFC	TFR	230/460#190/380	60	A	P	1.15	35	CONT	40 °C	1,000 feet	0.14	Z14256 FR	62	NONE	B-104180LE-881	A-EE7335LE		
Current (Amps)	24.0	23.3	16.0	2.30	1.50																						
Torque (ft-lb)	21.2	20.2	26.0	4.5	0.00																						



EQUIV CKT (OHMS / PHASE)			
R1	R2	X1	X2
4.8380	3.7800	7.1250	7.1630
Xm			189.6050

