

PRODUCT INFORMATION PACKET



Model No: 324TTGS16037AN

Catalog No: 825101.00

..40HP..1800RPM.324T.EPFC.230/460V.3PH.60HZ.CONT.40C.1.15SF.RIGID.....

Explosion Proof



Regal and Leeson are trademarks of Regal Beloit Corporation or one of its affiliated companies.

©2018 Regal Beloit Corporation, All Rights Reserved. MC017097E



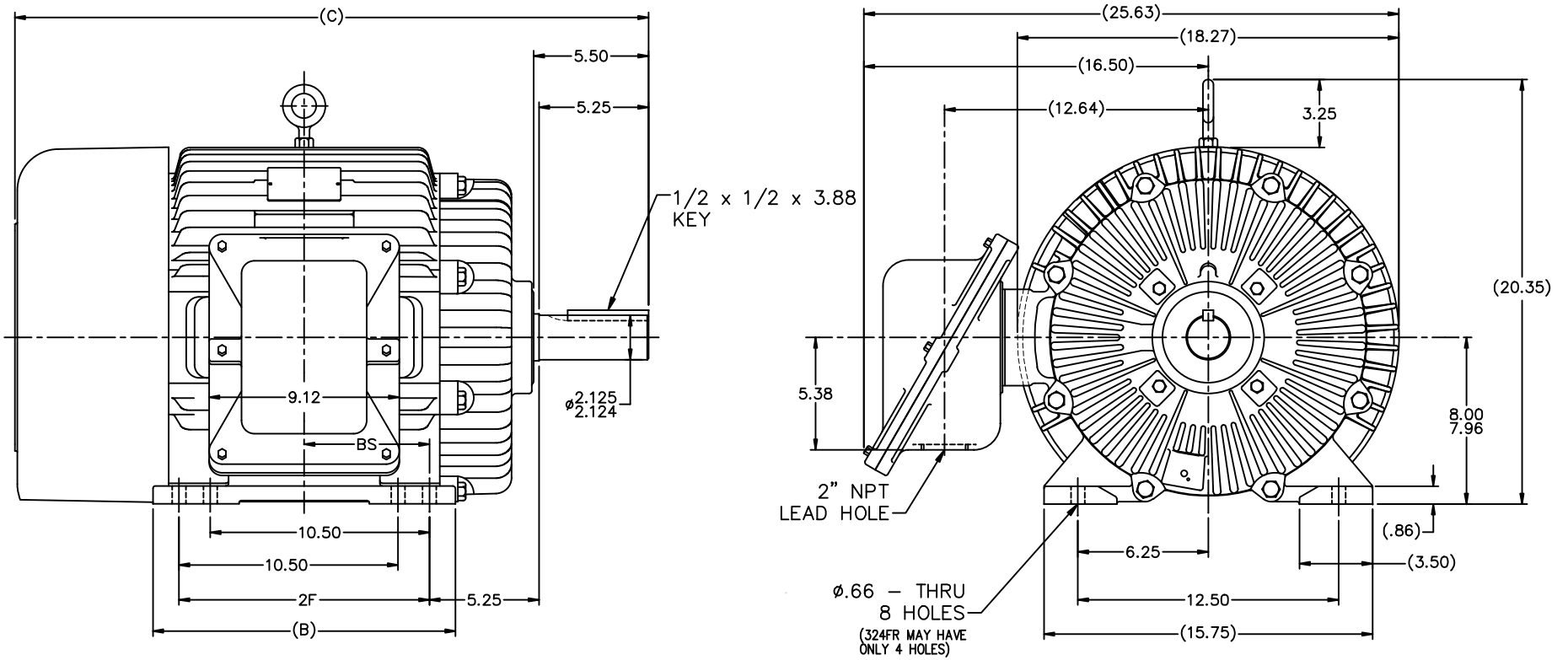


Nameplate Specifications

Output HP	40 Hp	Output KW	30.0 kW
Frequency	60 Hz	Voltage	230/460 V
Current	95.0/47.5 A	Speed	1780 rpm
Service Factor	1.15	Phase	3
Efficiency	94.1 %	Duty	Continuous
Insulation Class	F	Design Code	B
KVA Code	G	Frame	324T
Enclosure	Explosion Proof Fan cooled	Overload Protector	No
Ambient Temperature	40 °C	Drive End Bearing Size	312
Opp Drive End Bearing Size	311	UL	No
CSA	N	CE	N
IP Code	54		

Technical Specifications

Electrical Type	Squirrel Cage Inverter Rated	Starting Method	Line Or Inverter
Poles	4	Rotation	Reversible
Mounting	Rigid base	Motor Orientation	HORIZONTAL
Drive End Bearing	BALL	Opp Drive End Bearing	BALL
Frame Material	Cast Iron	Shaft Type	T
Overall Length	30.37 in	Frame Length	13.00 in
Shaft Diameter	2.125 in	Shaft Extension	5.25 in
Assembly/Box Mounting	F1 ONLY		
Outline Drawing	B-SS28022LE-1300	Connection Diagram	A-EE7308T-LE



NOTES:

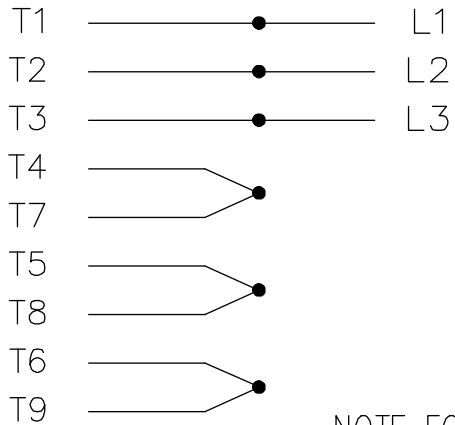
1. BOX CAN BE ROTATED IN 90° STEPS
2. NAMEPLATE TO BE READ FROM CONDUIT BOX PAD SIDE OF MOTOR

DASH	FR.	C	B	BS	2F
1150	324T	28.87	13.00	5.25	10.50
1300	324/326T	30.37	14.50	6.00	12.00

		TOLERANCES UNLESS SPECIFIED			ELECTRIC MOTORS GEARMOTORS AND DRIVES	DRAWN			
		DEC.	INCHES			EDK			
		.X	±.1			01-10-2011			
		.XX	±.03			CHK MH 01-10-2011			
		.XXX	±.005			APPD MJS 01-10-2011			
		.XXXX	±.0005			SCALE 1=5			
						REF			
						FMF MU100145			
						PREV			
NO.	REVISION	BY & DATE	CHK	ANG	FINISH				
			RFP	01-10-2011	CAD FILE SS28022LE				
			DIST	LB					
THIS DRAWING IN DESIGN AND DETAIL IS OUR PROPERTY AND MUST NOT BE USED EXCEPT IN CONNECTION WITH OUR WORK ALL RIGHTS OF DESIGN AND INVENTION ARE RESERVED THIS IS AN ELECTRONICALLY GENERATED DOCUMENT - DO NOT SCALE THIS PRINT					SIZE	DRAWING NO.	PAGE	OF	REV.
					B	SS28022LE			

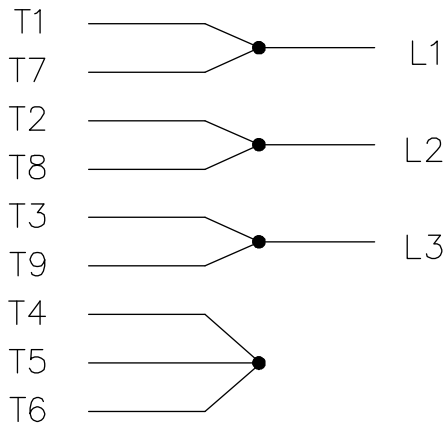
THREE PHASE
DUAL VOLTAGE MOTOR

HIGH VOLTAGE

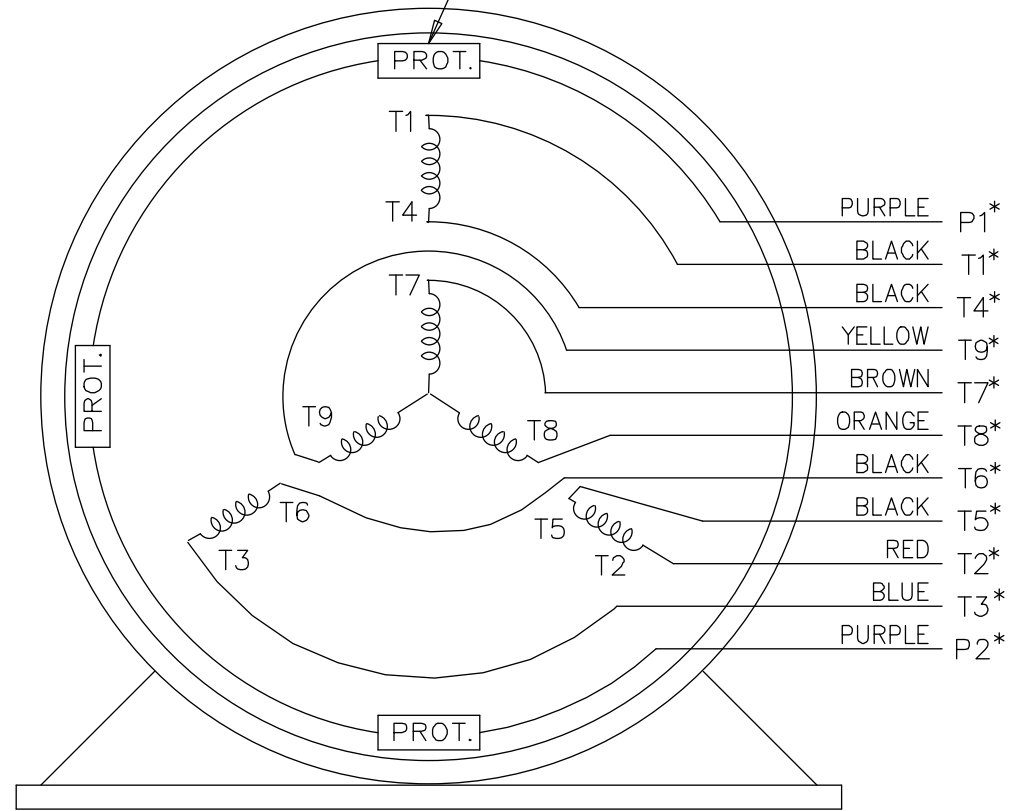


NOTE FOR FACTORY USE ONLY:
 TO SURGE TEST FOR COMMON CONNECT:
 HIGH VOLT: CONNECT P1 TO T1
 THEN P2 TO L1
 LOW VOLT: CONNECT P1 TO T1 & T7,
 THEN P2 TO L1

LOW VOLTAGE



THREMO-PROTECTORS
CONNECTED IN SERIES.



VIEW OF TERMINAL END

* USE LEADS AS PER PLANT STANDARD IRRWSPECTIVE OF THEIR COLOUR.

NO.	REVISION	BY & DATE	CHK	ANG	TOLERANCES UNLESS SPECIFIED		FINISH	DRAWING NO.	PAGE OF	REV.	
					DEC.	INCHES					
05	ADDED * NOTE PER ECN # 26921	UD 01-30-2013	JD	DEC.	INCHES						
04	ADDED COLORS TO "T & P" LEADS CN 40494	MSG 08-08-2006	ML	.X	±.1						
03	RE-ISSUE	NJS 04-21-2004	JET	.XX	±.02						
02	REDRAWN	TAT 04-20-2004	ML	.XXX	±.005						
01	NEW DRAWING CN 34708	TJB 05-08-2002	ML	.XXXX	±.0005						
THIS DRAWING IN DESIGN AND DETAIL IS OUR PROPERTY AND MUST NOT BE USED EXCEPT IN CONNECTION WITH OUR WORK ALL RIGHTS OF DESIGN AND INVENTION ARE RESERVED THIS IS AN ELECTRONICALLY GENERATED DOCUMENT - DO NOT SCALE THIS PRINT							RFP	CAD FILE EE7308T_LE	SIZE A	DRAWING NO. EE7308T-LE	PAGE OF 05
							DIST LB-WP-LE				



ELECTRIC MOTORS
GEARMOTORS
AND DRIVES

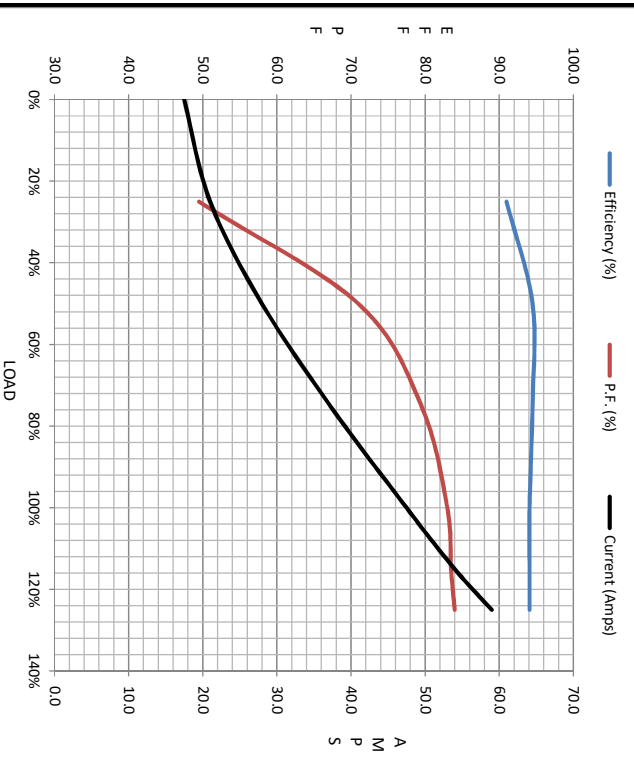
TITLE CONNECTION DIAGRAM
3 PHASE - DUAL VOLTAGE MOTOR

DRAWN TJB 05-07-2002
 CHK ML 05-08-2002
 APPD TB 05-08-2002
 SCALE 1=1
 REF
 FMF
 PREV



Motor Load Data						LR	
Load	0%	25%	50%	75%	100%	115%	125%
Current (Amps)	17.5	21.0	28.0	37.2	47.5	54.0	59.0
Torque (ft-lb)	0.00	29.5	58.5	88.5	118	136	148
RPM	1800	1795	1790	1785	1780	1,775	1772
Efficiency (%)		91.0	94.5	94.5	94.1	94.1	94.1
P.F. (%)	4.5	49.5	71.0	79.5	83.0	83.5	84.0
							34.0

Motor Speed Data						Information Block																					
Speed (RPM)	LR	Pull-Up	BD	Rated	Idle	HP	Sync. RPM	Frame	Enclosure	Construction	Voltagge	Frequency	Design	LR Code letter	Service Factor	Temp Rise @ FL	Duty	Ambient	Elevation	Rotor/Shaft wk ²	Ref Wdg	Sound Pressure @ 1M	VFD Rating	Outline Dwg	Conn. Diag	Additional Specifications:	
						40.0	1800	324	TEFC	TFN	230/460#190/380	60	B	G	1.15	65	CONT	40 °C	1,000	8.8	NONE	65	CONSTANT 10:1	B-SS28022LE-1300	A-EE7308T-1E		
Speed (RPM)	0	900	1685	1780	1800																						
Current (Amps)	290	255	165	47.5	17.5																						
Torque (ft-lb)	218	190	305	118	0.00																						



EQUIV CKT (OHMS / PHASE)			
R1	R2	X1	Xm
0.0820	0.0660	0.3790	13.5140

