

# PRODUCT INFORMATION PACKET



Model No: 286TTGN16033AA

Catalog No: 825099.00

..30HP..1800RPM.286T.EPFC.230/460V.3PH.60HZ.CONT.40C.1.15SF.RIGID.....

Explosion Proof



Regal and Leeson are trademarks of Regal Beloit Corporation or one of its affiliated companies.

©2018 Regal Beloit Corporation, All Rights Reserved. MC017097E



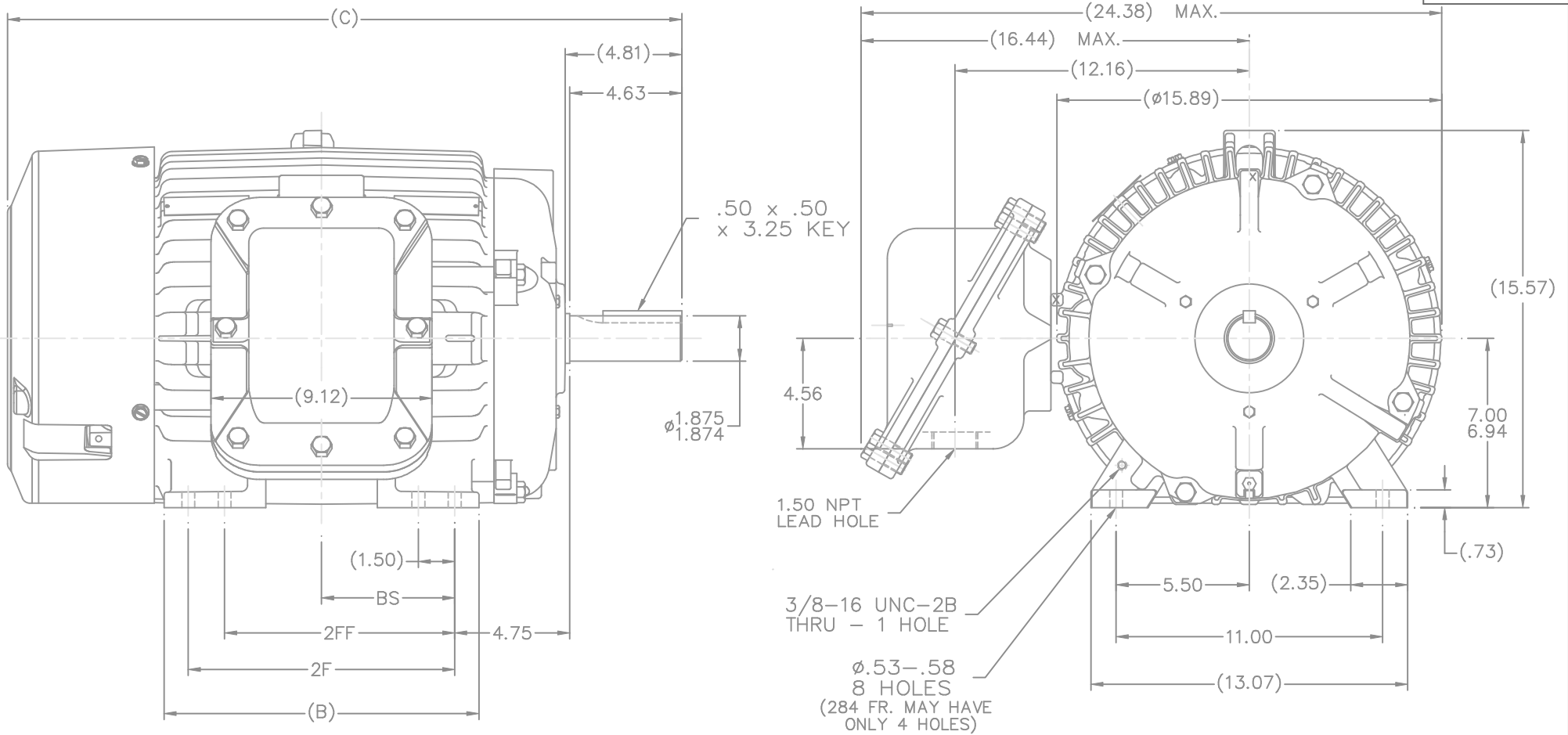


### Nameplate Specifications

Output HP	<b>30 Hp</b>	Output KW	<b>22.4 kW</b>
Frequency	<b>60 Hz</b>	Voltage	<b>230/460 V</b>
Current	<b>73.0/36.5 A</b>	Speed	<b>1773 rpm</b>
Service Factor	<b>1.15</b>	Phase	<b>3</b>
Efficiency	<b>94.1 %</b>	Duty	<b>Continuous</b>
Insulation Class	<b>F</b>	Design Code	<b>B</b>
KVA Code	<b>G</b>	Frame	<b>286T</b>
Enclosure	<b>Explosion Proof Fan cooled</b>	Overload Protector	<b>No</b>
Ambient Temperature	<b>40 °C</b>	Drive End Bearing Size	<b>311</b>
Opp Drive End Bearing Size	<b>210</b>	UL	<b>No</b>
CSA	<b>N</b>	CE	<b>N</b>
IP Code	<b>54</b>		

### Technical Specifications

Electrical Type	<b>Squirrel Cage Inverter Rated</b>	Starting Method	<b>Line Or Inverter</b>
Poles	<b>4</b>	Rotation	<b>Reversible</b>
Mounting	<b>Rigid base</b>	Motor Orientation	<b>HORIZONTAL</b>
Drive End Bearing	<b>BALL</b>	Opp Drive End Bearing	<b>BALL</b>
Frame Material	<b>Cast Iron</b>	Shaft Type	<b>T</b>
Overall Length	<b>27.84 in</b>	Frame Length	<b>14.25 in</b>
Shaft Diameter	<b>1.875 in</b>	Shaft Extension	<b>4.62 in</b>
Assembly/Box Mounting	<b>F1 ONLY</b>		
Outline Drawing	<b>B-SS311106LE-1425</b>	Connection Diagram	<b>A-EE7308T-LE</b>



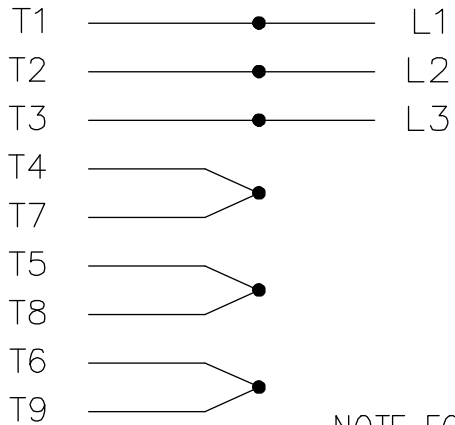
- NOTES:  
 1. BOX CAN ONLY BE ROTATED CLOCKWISE UP TO 270° FROM ITS ORIGINAL POSITION.  
 2. NAMEPLATE TO BE READ FROM CONDUIT BOX SIDE OF MOTOR.

1275	284T	26.34	-	12.50	9.50	-	-	4.75
14.25	284/6T	27.84	-	13.00	11.00	9.5	-	5.50
DASH	FRAME	C	AG	B	2F	2FF	2FFF	BS

			TOLERANCES UNLESS SPECIFIED				DRAWN TJB 10-15-2002	
			DEC.	INCHES			CHK DRS 10-15-2002	
			.X	±.1	TITLE OUTLINE - EXP.RP. - TGN 280T FR. BB - STD - A2.50 LAM		APPD DD 10-15-2002	
			.XX	±.03			SCALE 1=4	
			.XXX	±.005			REF	
1	NEW DRAWING	MU43527	TJB	10-15-2002	DD	.XXXX	±.0005	FMF
NO.	REVISION		BY & DATE		CHK	ANG	±7'30"	PREV
THIS DRAWING IN DESIGN AND DETAIL IS OUR PROPERTY AND MUST NOT BE USED EXCEPT IN CONNECTION WITH OUR WORK ALL RIGHTS OF DESIGN AND INVENTION ARE RESERVED THIS IS AN ELECTRONICALLY GENERATED DOCUMENT - DO NOT SCALE THIS PRINT					RFP	CAD FILE SS311106LE		SIZE B
					DIST	LB	DRAWING NO. SS311106LE	PAGE OF 1

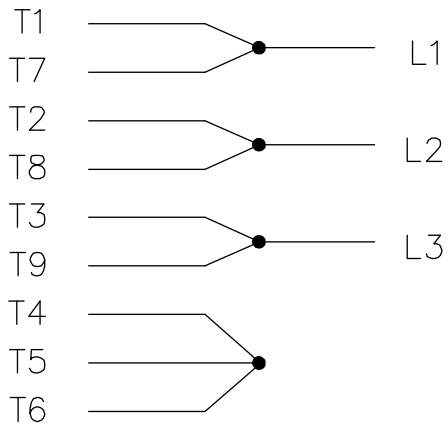
THREE PHASE  
DUAL VOLTAGE MOTOR

HIGH VOLTAGE

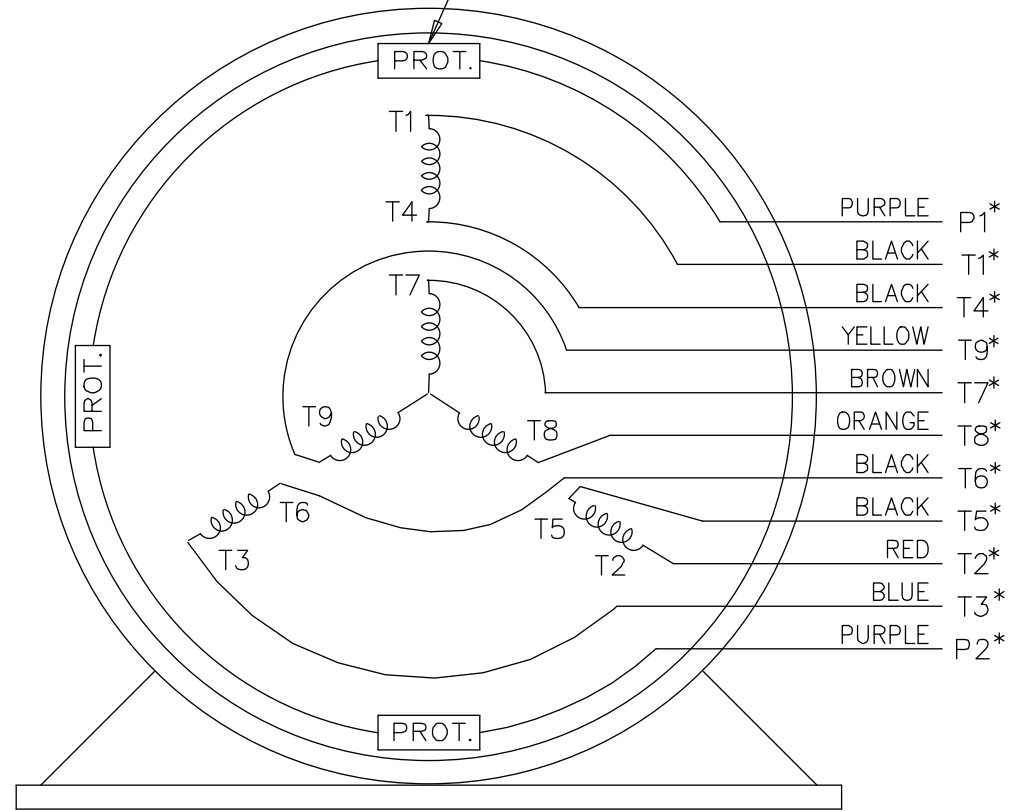


NOTE FOR FACTORY USE ONLY:  
 TO SURGE TEST FOR COMMON CONNECT:  
 HIGH VOLT: CONNECT P1 TO T1  
 THEN P2 TO L1  
 LOW VOLT: CONNECT P1 TO T1 & T7,  
 THEN P2 TO L1

LOW VOLTAGE



THREMO-PROTECTORS  
CONNECTED IN SERIES.



VIEW OF TERMINAL END

\* USE LEADS AS PER PLANT STANDARD IRRWSPECTIVE OF THEIR COLOUR.

NO.	REVISION	BY & DATE	CHK	ANG	TOLERANCES UNLESS SPECIFIED		FINISH	DRAWN TJB 05-07-2002	
					DEC.	INCHES			
05	ADDED * NOTE PER ECN # 26921	UD 01-30-2013	JD	DEC.				CHK ML 05-08-2002	
04	ADDED COLORS TO "T & P" LEADS CN 40494	MSG 08-08-2006	ML	.X	±.1			APPD TB 05-08-2002	
03	RE-ISSUE	NJS 04-21-2004	JET	.XX	±.02			SCALE 1=1	
02	REDRAWN	TAT 04-20-2004	ML	.XXX	±.005			REF	
01	NEW DRAWING CN 34708	TJB 05-08-2002	ML	.XXXX	±.0005			FMF	
					±7'30"			PREV	
THIS DRAWING IN DESIGN AND DETAIL IS OUR PROPERTY AND MUST NOT BE USED EXCEPT IN CONNECTION WITH OUR WORK ALL RIGHTS OF DESIGN AND INVENTION ARE RESERVED THIS IS AN ELECTRONICALLY GENERATED DOCUMENT - DO NOT SCALE THIS PRINT			RFP	CAD FILE EE7308T_LE			SIZE A	DRAWING NO. EE7308T-LE	PAGE OF 05
			DIST LB-WP-LE						



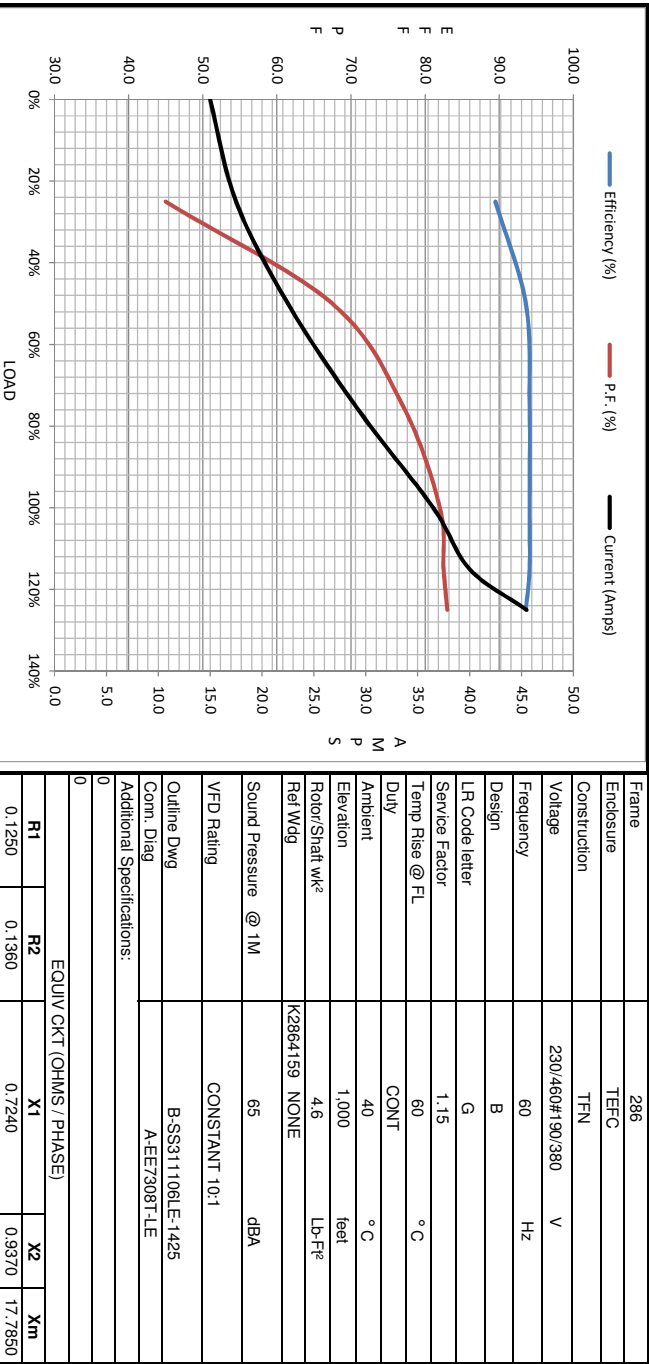
ELECTRIC MOTORS  
GEARMOTORS  
AND DRIVES

TITLE CONNECTION DIAGRAM  
3 PHASE - DUAL VOLTAGE MOTOR



Motor Load Data						
Load	0%	25%	50%	75%	100%	LR
Current (Amps)	15.0	17.5	22.5	29.0	36.5	217
Torque (ft-lb)	0.00	22.0	44.0	66.5	89.0	165
RPM	1800	1795	1785	1780	1773	0
Efficiency (%)		89.5	93.6	94.1	94.1	93.6
P.F. (%)	6.0	45.0	67.5	77.0	82.0	82.5

Motor Speed Data						Information Block																					
LR	Pull-Up	BD	Rated	Idle		HP	Sync. RPM	Frame	Enclosure	Construction	Voltage	Frequency	Design	LR Code letter	Service Factor	Temp Rise @ FL	Duty	Ambient	Elevation	Rotor/Shaft wk <sup>2</sup>	Ref Wdg	Sound Pressure @ 1M	VFD Rating	Outline Dwg	Conn. Diag	Additional Specifications:	
LR	900	1650	1773	1800		30.0	1800	286	TEFC	TFN	230/460#190/380	60	B	G	1.15	60	CONT	40 °C	1,000	4.6	NONE	65	CONSTANT 10:1	B-SS311108LE-1425	A-EE7308T-1E		
Speed (RPM)	0	900	1650	1773	1800																						
Current (Amps)	217	200	130	36.5	15.0																						
Torque (ft-lb)	165	155	245	89.0	0.00																						



EQUIV CKT (OHMS / PHASE)			
R1	R2	X1	Xm
0.1250	0.1360	0.7240	0.9370
0			

