

# PRODUCT INFORMATION PACKET



Model No: C145T34XB26B  
Catalog No: 121918.00  
3HP..3600RPM.145T.EPFC.60HZ..230/460V.3PH.  
Explosion Proof



Regal and Leeson are trademarks of Regal Beloit Corporation or one of its affiliated companies.  
©2018 Regal Beloit Corporation, All Rights Reserved. MC017097E



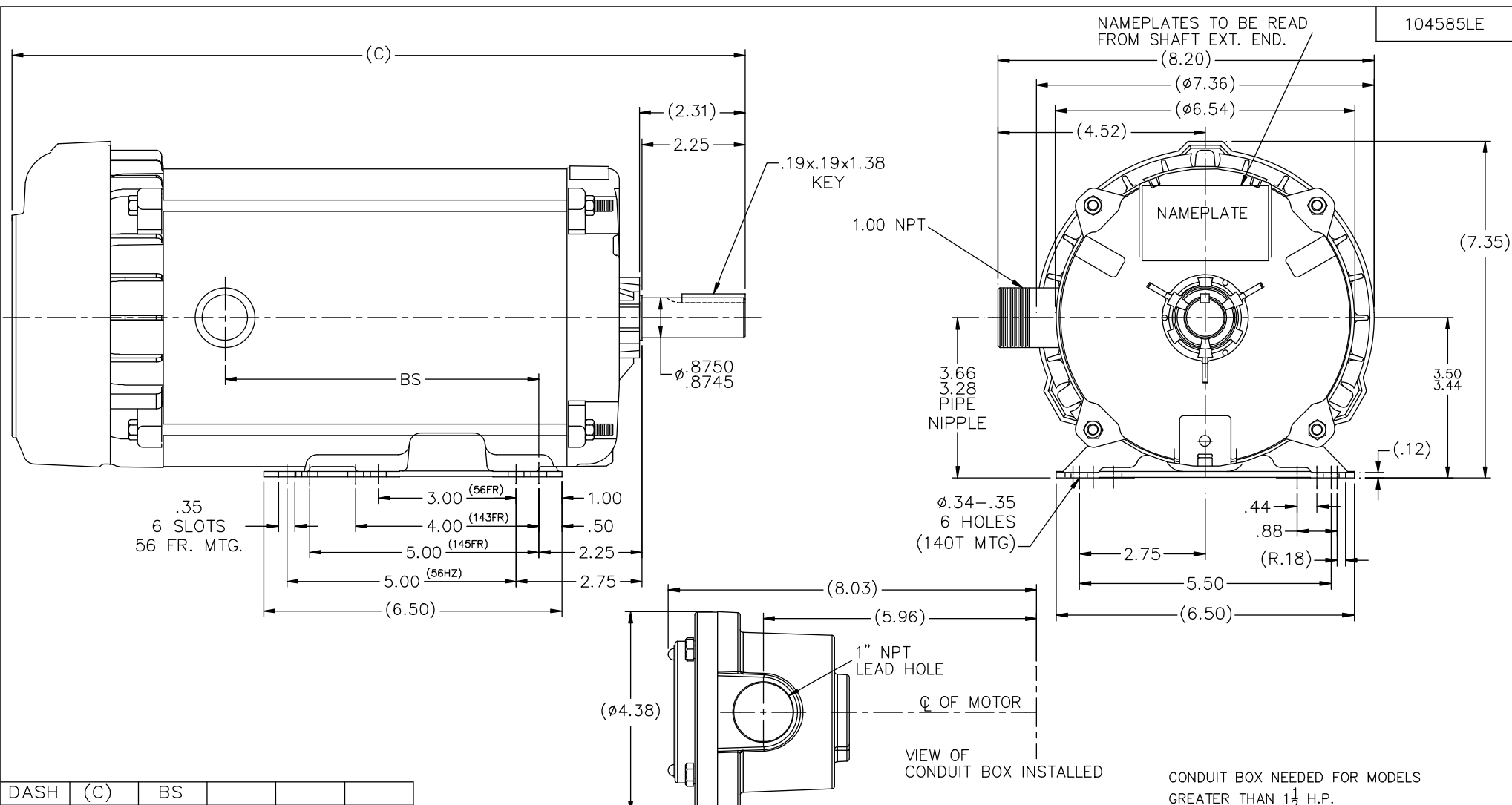


### Nameplate Specifications

Output HP	<b>3 Hp</b>	Output KW	<b>2.2 kW</b>
Frequency	<b>60 Hz</b>	Voltage	<b>230/460 V</b>
Current	<b>7.6/3.8 A</b>	Speed	<b>3505 rpm</b>
Service Factor	<b>1</b>	Phase	<b>3</b>
Efficiency	<b>87.5 %</b>	Duty	<b>Continuous</b>
Insulation Class	<b>B</b>	Design Code	<b>A</b>
KVA Code	<b>M</b>	Frame	<b>145T</b>
Enclosure	<b>Explosion Proof Fan cooled</b>	Overload Protector	<b>No</b>
Ambient Temperature	<b>40 °C</b>	Drive End Bearing Size	<b>6205</b>
Opp Drive End Bearing Size	<b>6203</b>	UL	<b>No</b>
CSA	<b>N</b>	CE	<b>N</b>
IP Code	<b>54</b>		

### Technical Specifications

Electrical Type	<b>Squirrel Cage Induction Run</b>	Starting Method	<b>Across The Line</b>
Poles	<b>2</b>	Rotation	<b>Reversible</b>
Mounting	<b>Rigid base</b>	Motor Orientation	<b>HORIZONTAL</b>
Drive End Bearing	<b>BALL</b>	Opp Drive End Bearing	<b>BALL</b>
Frame Material	<b>Rolled Steel</b>	Shaft Type	<b>T</b>
Overall Length	<b>16.00 in</b>	Frame Length	<b>8.81 in</b>
Shaft Diameter	<b>0.875 in</b>	Shaft Extension	<b>2.25 in</b>
Assembly/Box Mounting	<b>F1 ONLY</b>		
Outline Drawing	<b>B-104585LE-881</b>	Connection Diagram	<b>A-EE7308T-LE</b>



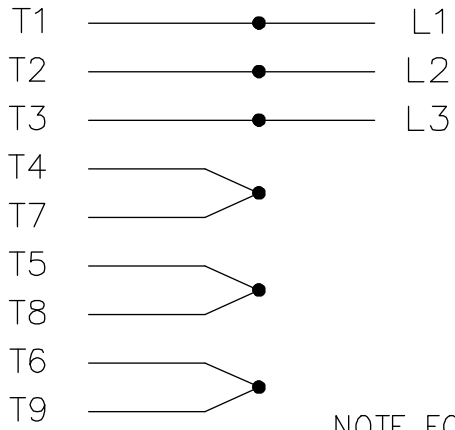
104585LE

DASH	(C)	BS			
681	14.00	4.84			
731	14.50	5.34			
781	15.00	5.84			
831	15.50	6.34			
881	16.00	6.84	SHOWN		
931	16.50	7.34			
981	17.00	7.84			

				TOLERANCES UNLESS SPECIFIED		LEESON	ELECTRIC MOTORS GEARMOTORS AND DRIVES	DRAWN RJW 06-22-2007			
				DEC.	INCHES			CHK	ML	06-22-2007	
				.X	±.1			APPD	GK 06-22-2007		
				.XX	±.03		TITLE	SCALE	1=2		
				.XXX	±.005		OUTLINE	REF			
1	COND. BOX INSTALLED VIEW UPDATED PER ECR-0044571	UD 10/17/13	ST	.XXXX	±.0005		140 FR. - EXP. PR. - TEFC - 1Ø & 3Ø	MAT'L.	FMF		
NO.	REVISION	BY & DATE	CHK	ANG	±7'30"		FINISH	PREV			
THIS DRAWING IN DESIGN AND DETAIL IS OUR PROPERTY AND MUST NOT BE USED EXCEPT IN CONNECTION WITH OUR WORK ALL RIGHTS OF DESIGN AND INVENTION ARE RESERVED THIS IS AN ELECTRONICALLY GENERATED DOCUMENT - DO NOT SCALE THIS PRINT				RFP	06-22-2007	CAD FILE	104585LE	SIZE	DRAWING NO.	PAGE OF	REV.
			DIST	WP				B	104585LE	1	1

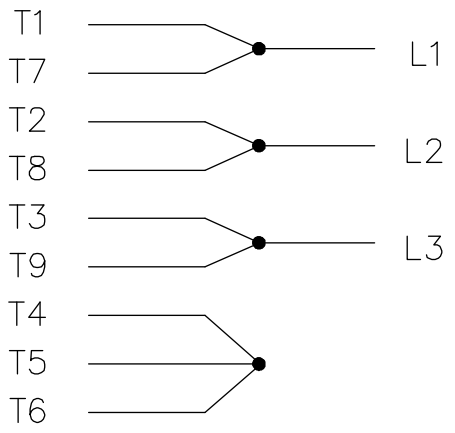
THREE PHASE  
DUAL VOLTAGE MOTOR

HIGH VOLTAGE

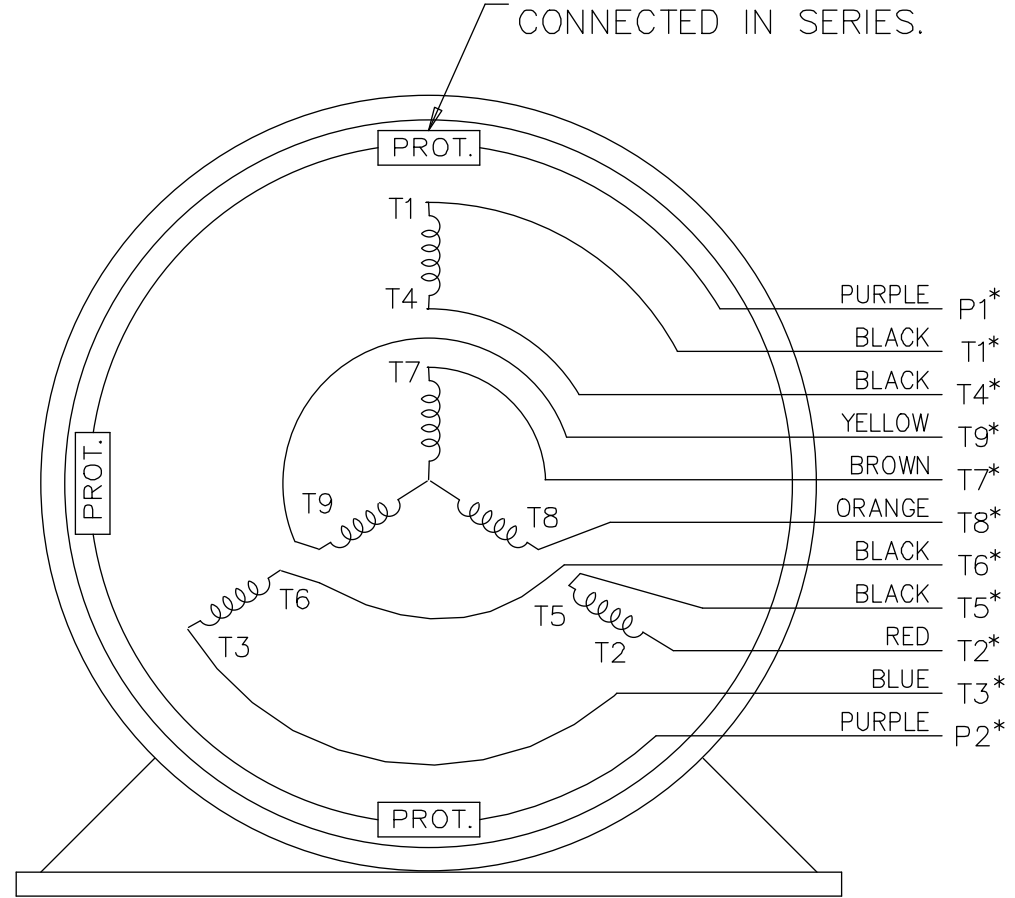


NOTE FOR FACTORY USE ONLY:  
 TO SURGE TEST FOR COMMON CONNECT:  
 HIGH VOLT: CONNECT P1 TO T1  
 THEN P2 TO L1  
 LOW VOLT: CONNECT P1 TO T1 & T7,  
 THEN P2 TO L1

LOW VOLTAGE



THREMO-PROTECTORS  
CONNECTED IN SERIES.



VIEW OF TERMINAL END

\* USE LEADS AS PER PLANT STANDARD IRRWSPECTIVE OF THEIR COLOUR.

NO.	REVISION	BY & DATE	CHK	ANG	TOLERANCES UNLESS SPECIFIED		FINISH	DRAWING NO.	PAGE	OF	REV.
					DEC.	INCHES					
05	ADDED * NOTE PER ECN # 26921	UD 01-30-2013	JD	DEC.	INCHES						
04	ADDED COLORS TO "T & P" LEADS CN 40494	MSG 08-08-2006	ML	.X	±.1						
03	RE-ISSUE	NJS 04-21-2004	JET	.XX	±.02						
02	REDRAWN	TAT 04-20-2004	ML	.XXX	±.005						
01	NEW DRAWING CN 34708	TJB 05-08-2002	ML	.XXXX	±.0005						
THIS DRAWING IN DESIGN AND DETAIL IS OUR PROPERTY AND MUST NOT BE USED EXCEPT IN CONNECTION WITH OUR WORK ALL RIGHTS OF DESIGN AND INVENTION ARE RESERVED THIS IS AN ELECTRONICALLY GENERATED DOCUMENT - DO NOT SCALE THIS PRINT							RFP	CAD FILE EE7308T_LE	SIZE A	DRAWING NO. EE7308T-LE	PAGE 05
							DIST LB-WP-LE				



ELECTRIC MOTORS  
GEARMOTORS  
AND DRIVES

TITLE CONNECTION DIAGRAM  
3 PHASE - DUAL VOLTAGE MOTOR

DRAWN	TJB	05-07-2002
CHK	ML	05-08-2002
APPD	TB	05-08-2002
SCALE	1=1	
REF		
FMF		
PREV		



CERTIFICATION DATA SHEET

P.O. BOX 8003  
WAUSAU, WI 54401-8003  
PH. 715-675-3311

DATA VOLTS: 460

CONN. DIAGRAM: A-EET7308T-LE  
OUTLINE: B-104585LE-381  
WINDING: Z12175

CAT #: 121918.00

FR 1

TYPICAL MOTOR PERFORMANCE DATA

HP	KW	SYNC RPM	FL RPM	FRAME	ENCLOSURE	TYPE	KVA CODE	DESIGN	
3	2.2	3600	3505	145T	TEFC	TFR	M	A	
PH	HZ	VOLTS	AMPS	START TYPE	DUTY	INSL	S.F.	AMB	ELEV.
3	60/50	230/460#190/380	7.6/3.886	ACROSS THE LINE	CONT	B	1.15	40	3300
F.L. EFF	F.L. PF	3/4 LD EFF	87.9	1/2 LD EFF	85.8	GTD EFF	85.5	ELECT. TYPE	
87.5	84.0	3/4 LD PF	78.4	1/2 LD PF	67.3	67.3	85.5	SQ CAGE IND RUN	
F.L. TORQUE	LR AMPS @ 460 V	L.R. TORQUE	384%	B.D. TORQUE	504%	F.L. RISE (°C)			
4.5 LB-FT	36.9	17.3 LB-FT	22.7 LB-FT	57					
PRESSURE @ 3	POWER	ROTOR WK²	MAX. LOAD WK²	SAFE STALL TIME	STARTS/HOUR	MOTOR WGT			
68 DBA	77 DBA	0.05 LB-FT²	5 LB-FT²	10 SEC.	2	43.6 LB.			

\*\*\* SUPPLEMENTAL INFORMATION \*\*\*

DE BRACKET TYPE	ODE BRACKET TYPE	MOUNT TYPE	MOTOR ORIENTATION	SEVERE DUTY	HAZARDOUS LOCATION	DRIP COVER	SCREENS	PAINT
STANDARD	STANDARD	RIGID	HORIZONTAL	NO	DEF CL I GR C&D CL II GF	NO	NONE	IE-LEESON/ENAM
BEARINGS	GREASE	SHAFT TYPE	SPECIAL DE	SPECIAL ODE	SHAFT	MATERIAL	FRAME MATERIAL	
BALL BALL 6205	POLYREX EM 6203	T	NONE	NONE	1144 STRESSPROOF (C-223)	ROLLED STEEL		

THERMOSTATS	PROTECTORS	WDG RTD's	BRG RTD's	THERMISTORS	CONTROL	SPACE HEATERS
TSTATS (N/C)	NOT	NONE	NONE	NONE	FALSE	NA
R1 (ohms/ph)	R2 (ohms/ph)	X1 (ohms/ph)	X2 (ohms/ph)	Xm (ohms/ph)	VIBRATION (in/sec)	FLOAT
0	0	0	0	0	0.150	ODE

* N O T E S *		INVERTER TORQUE: NONE	
		INV. HP SPEED RANGE: NONE	
		ENCODER: NONE	
		NONE	
		NONE	
		BRAKE: NONE	
		NONE	
		FT-LB: NA	
		NONE	
		NONE	
		NONE PPR	

DATE: 1/24/2018	UL: NONE-OVER HEAT PROT DEVICE	HZ:
-----------------	--------------------------------	-----



Motor Load Data

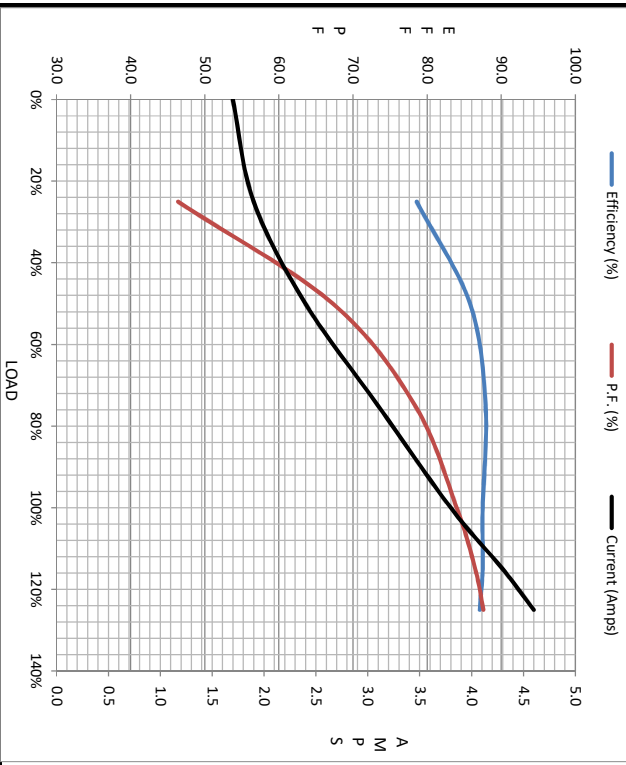
Load	0%	25%	50%	75%	100%	115%	125%	LR
Current (Amps)	1.70	1.90	2.40	3.1	3.8	4.3	4.6	36.9
Torque (ft-lb)	0.00	1.10	2.22	3.4	4.5	5.2	5.7	17.3
RPM	3600	3577	3555	3530	3505	3485	3475	0
Efficiency (%)		78.6	85.8	87.9	87.5	87.5	87.1	
P.F. (%)	11.0	46.4	67.3	78.4	84.0	86.5	87.6	71.5

Motor Speed Data

	LR	Pull-Up	BD	Rated	Idle
Speed (RPM)	0	230	2385	3505	3600
Current (Amps)	36.9	38.3	27.2	3.8	1.70
Torque (ft-lb)	17.3	16.6	22.7	4.5	0.00

Information Block

HP	3.0
Sync. RPM	3600
Frame	145
Enclosure	TEFC
Construction	TFR
Voltage	230/460#190/380 V
Frequency	60 Hz
Design	A
LR Code letter	M
Service Factor	1.15
Temp Rise @ FL	57 °C
Duty	CONT
Ambient	40 °C
Elevation	1,000 feet
Rotor/Shaft wk <sup>2</sup>	0.05 LB-Ft <sup>2</sup>
Ref Wdg	Z12175 FR
Sound Pressure @ 1M	68 dBA
VFD Rating	NONE
Outline Dwg	B-104695LE-981
Conn. Diag	A-EE7308T-1E
Additional Specifications:	
0	
EQUIV CKT (OHMS / PHASE)	
R1	R2
0.0000	0.0000
X1	X2
0.0000	0.0000
Xm	Xm
0.0000	0.0000



Speed - Torque Curve

