

PRODUCT INFORMATION PACKET



Model No: A145T34XB25A

Catalog No: 121916.00

..2HP..3600RPM.145T.EPFC.230/460V.3PH.60HZ.CONT.40C.1.15SF.RIGID.....

Explosion Proof



Regal and Leeson are trademarks of Regal Beloit Corporation or one of its affiliated companies.

©2018 Regal Beloit Corporation, All Rights Reserved. MC017097E



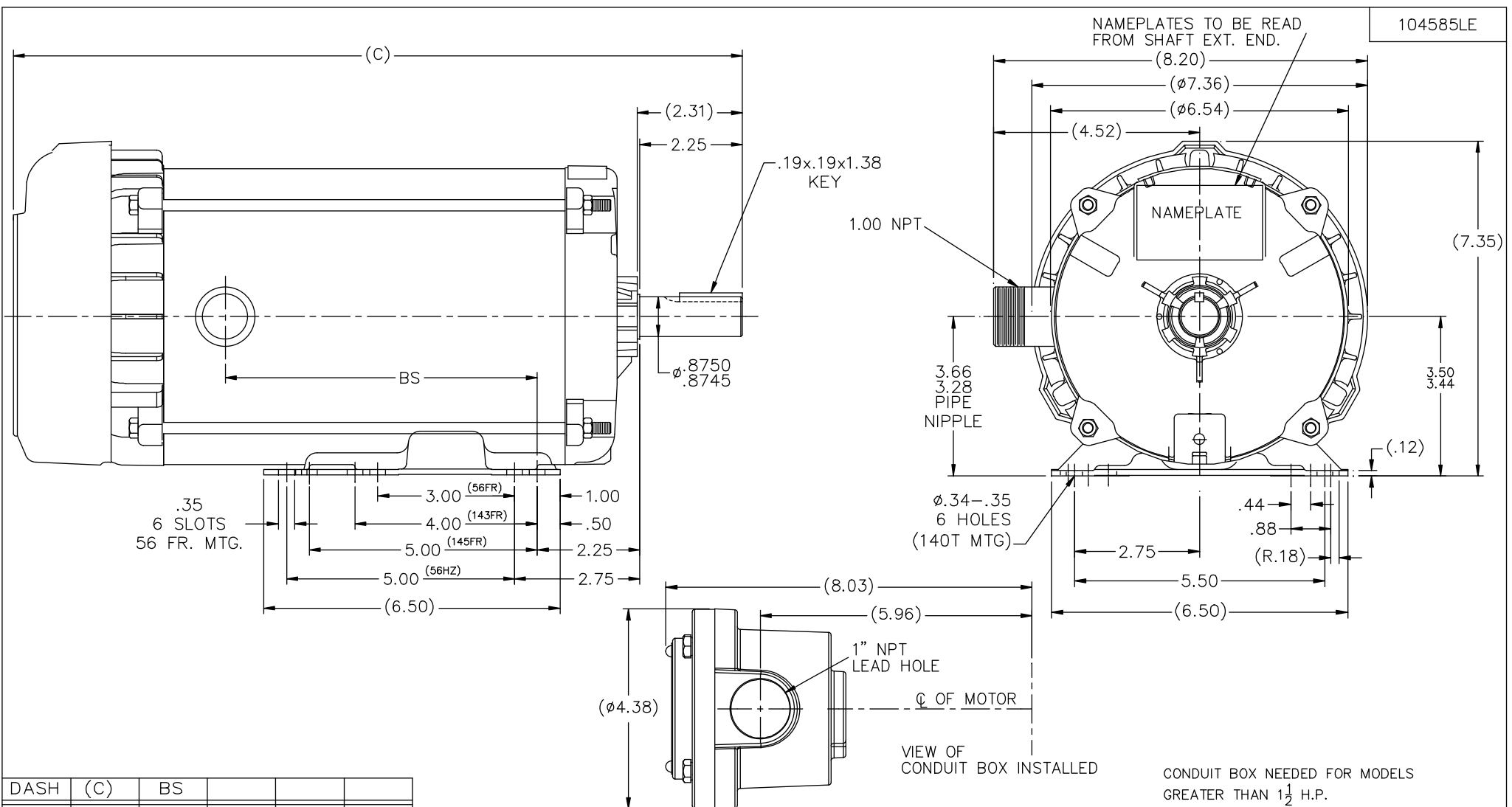


Nameplate Specifications

Output HP	2 Hp	Output KW	1.5 kW
Frequency	60 Hz	Voltage	230/460 V
Current	5.0/2.5 A	Speed	3500 rpm
Service Factor	1	Phase	3
Efficiency	85.5 %	Duty	Continuous
Insulation Class	B	Design Code	B
KVA Code	K	Frame	145T
Enclosure	Explosion Proof Fan cooled	Overload Protector	Automatic
Ambient Temperature	40 °C	Drive End Bearing Size	205
Opp Drive End Bearing Size	203	UL	Recognized
CSA	Y	CE	N
IP Code	54		

Technical Specifications

Electrical Type	Squirrel Cage Induction Run	Starting Method	Across The Line
Poles	2	Rotation	Reversible
Mounting	Rigid base	Motor Orientation	HORIZONTAL
Drive End Bearing	BALL	Opp Drive End Bearing	BALL
Frame Material	Rolled Steel	Shaft Type	T
Overall Length	16.50 in	Frame Length	9.31 in
Shaft Diameter	0.875 in	Shaft Extension	2.25 in
Assembly/Box Mounting	F1 ONLY		
Outline Drawing	104585LE-931	Connection Diagram	EE7335-LE

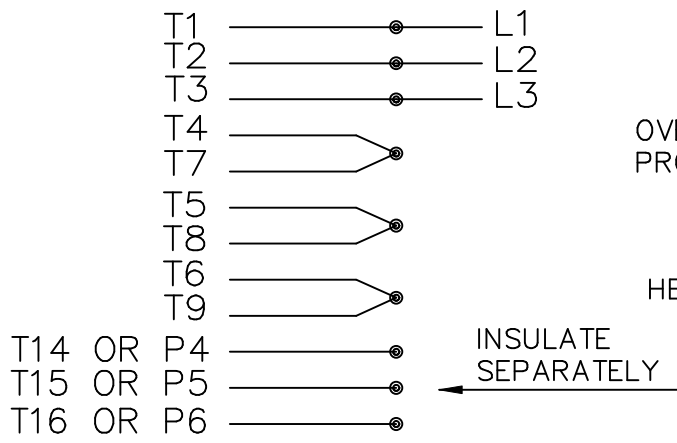


104585LE

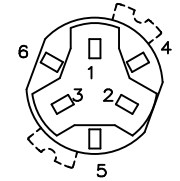
DASH	(C)	BS			
681	14.00	4.84			
731	14.50	5.34			
781	15.00	5.84			
831	15.50	6.34			
881	16.00	6.84	SHOWN		
931	16.50	7.34			
981	17.00	7.84			

		TOLERANCES UNLESS SPECIFIED		ELECTRIC MOTORS GEARMOTORS AND DRIVES		DRAWN RJW 06-22-2007	
		DEC.	INCHES	LEESON		CHK	ML 06-22-2007
		.X	±.1	TITLE OUTLINE		APPD	GK 06-22-2007
		.XX	±.03	140 FR. - EXP. PR. - TEFC - 1φ & 3φ		SCALE	1=2
		.XXX	±.005	MAT'L.		REF	
1	COND. BOX INSTALLED VIEW UPDATED PER ECR-0044571	UD	10/17/13	ST	.XXXX ±.0005	FINISH	PREV
NO.	REVISION	BY & DATE	CHK	ANG	±7'30"		
THIS DRAWING IN DESIGN AND DETAIL IS OUR PROPERTY AND MUST NOT BE USED EXCEPT IN CONNECTION WITH OUR WORK ALL RIGHTS OF DESIGN AND INVENTION ARE RESERVED THIS IS AN ELECTRONICALLY GENERATED DOCUMENT - DO NOT SCALE THIS PRINT				RFP	06-22-2007	CAD FILE	104585LE
				DIST	WP	SIZE	DRAWING NO. PAGE OF REV.
						B	104585LE 1

HIGH VOLTAGE CONNECTIONS

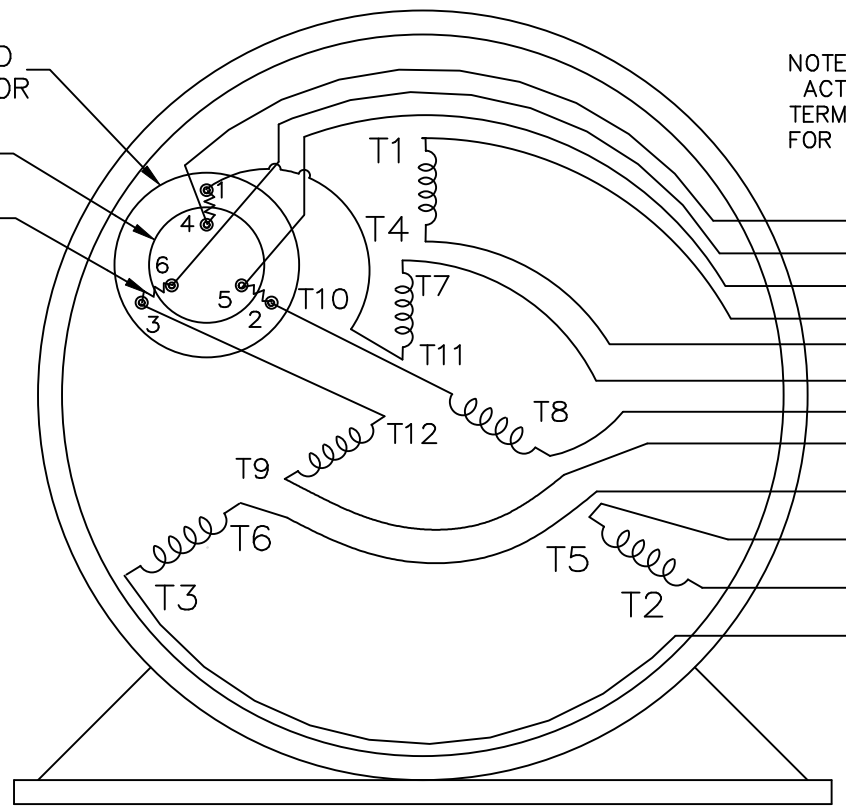


THREE PHASE - DUAL VOLTAGE MOTOR WITH OVERLOAD PROTECTOR



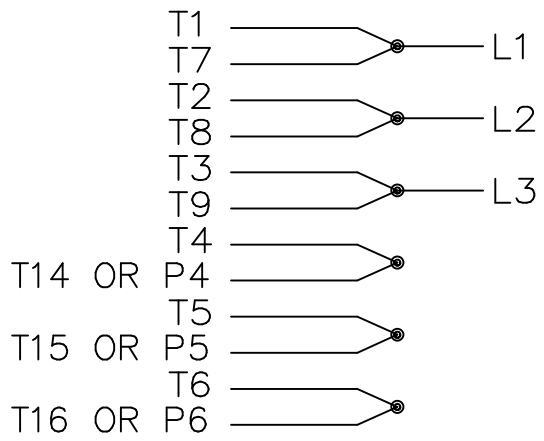
NOTE:
ACTUAL PROTECTORS
TERMINAL LOCATIONS
FOR LEAD CONNECTIONS

OVERLOAD PROTECTOR
DISC
HEATER



T14 OR P4
T16 OR P6
T15 OR P5

LOW VOLTAGE CONNECTIONS



VIEW OF TERMINAL END

T2K
T4D
T6AN

				TOLERANCES UNLESS SPECIFIED		ELECTRIC MOTORS GEARMOTORS AND DRIVES	DRAWN NJS 04-20-2005			
				DEC.	INCHES		CHK ML 04-20-2005			
				.X	± -		APPD MJS 04-20-2005			
				.XX	± -		SCALE			
				.XXX	± -		REF			
				.XXXX	± -	MAT'L.				
NO.	REVISION	BY & DATE	CHK	ANG	± -	FINISH	PREV			
THIS DRAWING IN DESIGN AND DETAIL IS OUR PROPERTY AND MUST NOT BE USED EXCEPT IN CONNECTION WITH OUR WORK ALL RIGHTS OF DESIGN AND INVENTION ARE RESERVED THIS IS AN ELECTRONICALLY GENERATED DOCUMENT - DO NOT SCALE THIS PRINT				RFP	04-20-2005	CAD FILE EE7335_LE	SIZE A	DRAWING NO. EE7335-LE	PAGE OF	REV.
				DIST	WP					



P.O. BOX 8003
WAUSAU, WI 54401-8003
PH. 715-675-3311

DATA VOLTS: 460

CERTIFICATION DATA SHEET

CONN. DIAGRAM: EET7335-LE
OUTLINE: 1045851E-931
WINDING: Z172142

R6 3

CAT #: 121916.00

TYPICAL MOTOR PERFORMANCE DATA

HP	KW	SYNC RPM	FL RPM	FRAME	ENCLOSURE	TYPE	KVA CODE	DESIGN	
2	1.5	3600	3500	145T	EPFC	TFR	K	B	
PH	HZ	VOLTS	AMPS	START TYPE	DUTY	INSL	S.F.	AMB	ELEV.
3	60/50	230/460#190/380	5/2.5&6/3	ACROSS THE LINE	CONT	B	1.15	40	3300
	F.L. EFF	85.5	3/4 LD EFF	85.9	1/2 LD EFF	84.0	GTD EFF	84.0	ELECT. TYPE
	F.L. PF	86.0	3/4 LD PF	82.0	1/2 LD PF	72.5	84.0		SO CAGE IND RUN
	F.L. TORQUE	LR AMPS @ 460 V	L.R. TORQUE		B.D. TORQUE		F.L. RISE (°C)		
	3.0 LB-FT	21.7	9.5 LB-FT	317%	12.2 LB-FT	407%	36		
	PRESSURE @ 3 DBA	POWER	ROTOR WK²	MAX. LOAD WK²	SAFE STALL TIME	STARTS/HOUR	MOTOR WGT		
	69 DBA	78 DBA	0.07 LB-FT²	4 LB-FT²	20 SEC.	2	80 LB.		

*** SUPPLEMENTAL INFORMATION ***

DE BRACKET TYPE	ODE BRACKET TYPE	MOUNT TYPE	MOTOR ORIENTATION	SEVERE DUTY	HAZARDOUS LOCATION	DRIP COVER	SCREENS	PAINT
STANDARD	STANDARD	RIGID	HORIZONTAL	NO	DE CL I GR C&D CL I I GR	NO	NONE	JE - LEESON (ENAM)
BEARINGS DE	GREASE	SHAFT TYPE	SPECIAL DE	SPECIAL ODE	SHAFT MATERIAL	FRAME MATERIAL		
BALL BALL 205	POLYREX EM	T	NONE	NONE	1144 STRESSPROOF (C-223)	ROLLED STEEL		

THERMOSTATS	PROTECTORS	WDG RTD's	BRG RTD's	THERMISTORS	CONTROL	SPACE HEATERS
NONE	AUTOMATIC	NONE	NONE	NONE	FALSE	NA
R1 (ohms/ph)	R2 (ohms/ph)	X1 (ohms/ph)	X2 (ohms/ph)	Xm (ohms/ph)	VIBRATION (in/sec)	FLOAT
4.402	3.124	6.532	5.538	208.74	0.150	ODE

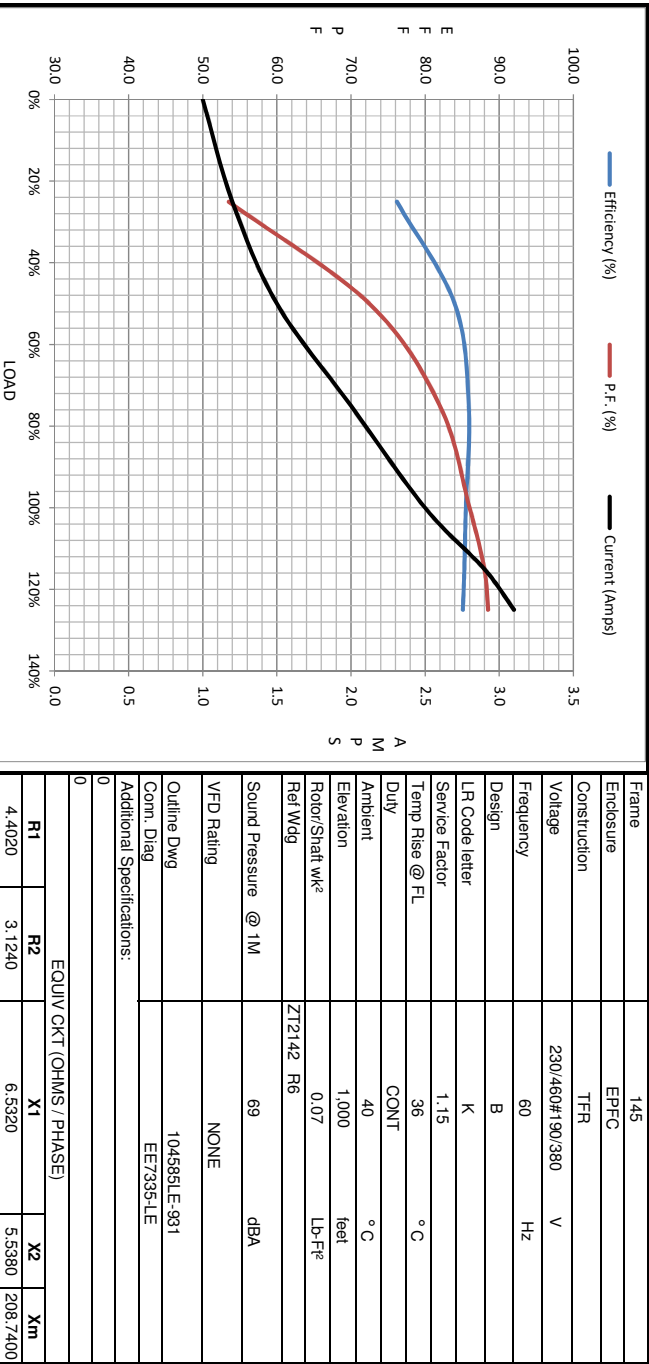
* N O T E S	INVERTER TORQUE: NONE	
	INV. HP SPEED RANGE: NONE	
	ENCODER: NONE	NONE PPR
	NONE	
	NONE	

DATE:	1/17/2018	BRAKE: NONE	NONE
		FT-LB: NA	NONE
		VOLTAGE: NONE	NONE
		UL: Y-(LEESON UL REC)	HZ:



Motor Load Data								
Load	0%	25%	50%	75%	100%	115%	125%	LR
Current (Amps)	1.00	1.20	1.50	2.00	2.50	2.90	3.1	21.7
Torque (ft-lb)	0.00	0.74	1.48	2.23	3.0	3.5	3.8	9.5
RPM	3600	3575	3550	3525	3500	3485	3470	0
Efficiency (%)		76.2	84.0	85.9	85.5	85.3	85.1	
P.F. (%)	20.0	53.5	72.5	82.0	86.0	88.0	88.5	42.0

Motor Speed Data						Information Block																					
LR	Pull-Up	BD	Rated	Idle		HP	Sync. RPM	Frame	Enclosure	Construction	Voltage	Frequency	Design	LR Code letter	Service Factor	Temp Rise @ FL	Duty	Ambient	Elevation	Rotor/Shaft wk ²	Ref Wdg	Sound Pressure @ 1M	VFD Rating	Outline Dwg	Conn. Diag	Additional Specifications:	
	LR	1500	2615	3500	3600	2.0	3600	145	EPFC	TFR	230/460#190/380	60	B	K	1.15	36	CONT	40 °C	1,000	0.07	Z12142 R6	69	NONE	104589LE-931	EE7335-LE		
Speed (RPM)	0	1500	2615	3500	3600																						
Current (Amps)	21.7	20.5	14.5	2.50	1.00																						
Torque (ft-lb)	9.5	9.4	12.2	3.0	0.00																						



EQUIV CKT (OHMS / PHASE)	R1	R2	X1	X2	Xm
	4.4020	3.1240	6.5320	5.5380	208.7400

