

750 Series Right Angle PMDC 90V Standard Shaft/With Footplate

021-756-4520:



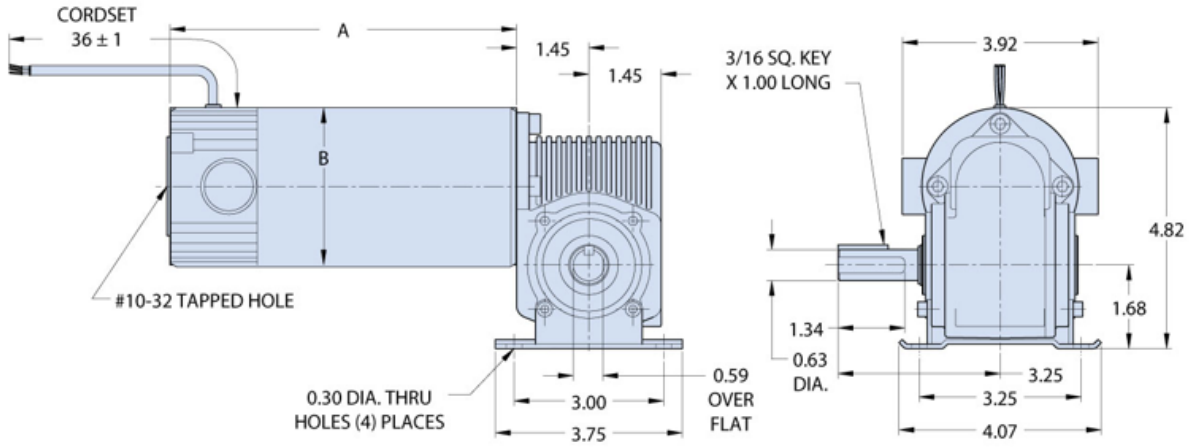
QUICK SPECS

Stock	BQS	Voltage (V)	90
Input HP	1/4	Torque (in-lbs)	100
Amps	2.3	Approx Weight	19.8
OHL	300	Ratio:1	20.5
Stages	1	Speed (RPM)	90
Voltage	90	Speed 90V	90

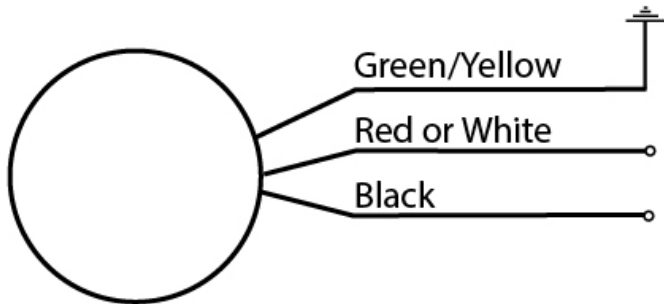
Specifications

Stock	BQS
Voltage (V)	90
Input HP	1/4
Torque (in-lbs)	100
OHL	300
Ratio:1	20.5
Stages	1
Voltage	90
Input Watts	186
CE	No
CSA	No
ROHS	Yes
CuRus	No
IP Rating	IP44
Insulation Class	F3
Duty Cycle	Continuous

Schematics / Wiring Diagrams



HP	A	B	C
1/8	6.95	3.14	4.82
1/4	8.83	3.38	4.94



To Reverse, interchange Red and Black leads.
 Note: Some motors have white and black leads.

PMDC Motors