

PRODUCT INFORMATION PACKET



Model No: A143T34XB25A

Catalog No: 121914.00

.1 1/2HP..3600RPM.143T.EPFC.230/460V.3PH.60HZ.CONT.40C.1.15SF.RIGID.....

Explosion Proof



Regal and Leeson are trademarks of Regal Beloit Corporation or one of its affiliated companies.

©2018 Regal Beloit Corporation, All Rights Reserved. MC017097E



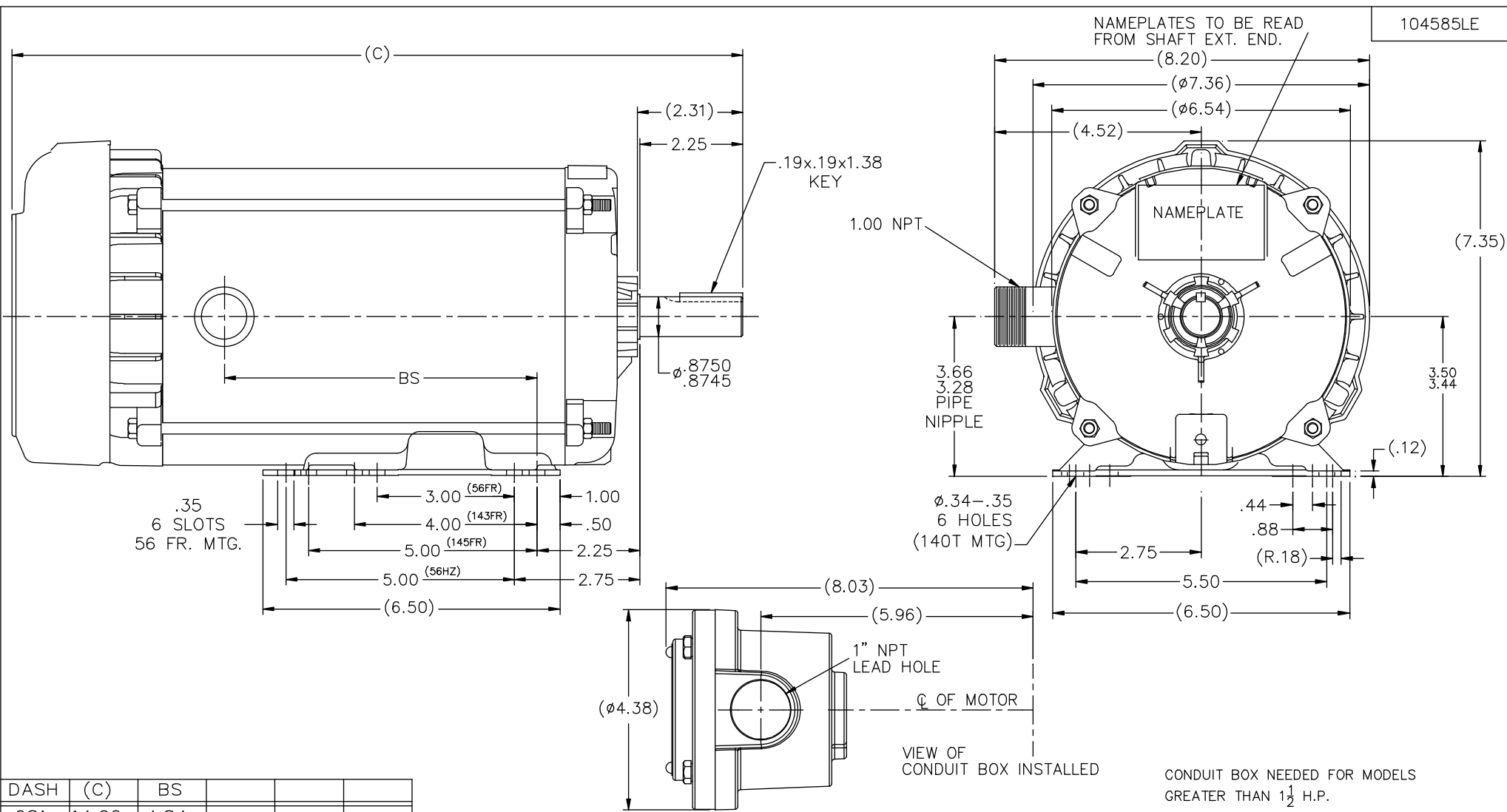


Nameplate Specifications

Output HP	1.50 Hp	Output KW	1.1 kW
Frequency	60 Hz	Voltage	230/460 V
Current	4.0/2.0 A	Speed	3515 rpm
Service Factor	1	Phase	3
Efficiency	84 %	Duty	Continuous
Insulation Class	B	Design Code	B
KVA Code	M	Frame	143T
Enclosure	Explosion Proof Fan cooled	Overload Protector	Automatic
Ambient Temperature	40 °C	Drive End Bearing Size	205
Opp Drive End Bearing Size	203	UL	Recognized
CSA	Y	CE	N
IP Code	54		

Technical Specifications

Electrical Type	Squirrel Cage Induction Run	Starting Method	Across The Line
Poles	2	Rotation	Reversible
Mounting	Rigid base	Motor Orientation	HORIZONTAL
Drive End Bearing	BALL	Opp Drive End Bearing	BALL
Frame Material	Rolled Steel	Shaft Type	T
Overall Length	15.00 in	Frame Length	7.81 in
Shaft Diameter	0.875 in	Shaft Extension	2.25 in
Assembly/Box Mounting	F1 ONLY		
Outline Drawing	104585LE-781	Connection Diagram	EE7335-LE

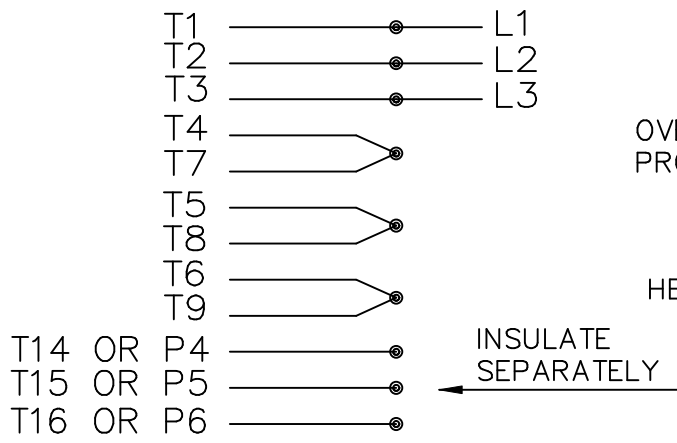


104585LE

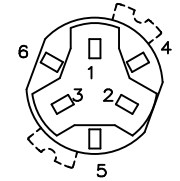
DASH	(C)	BS			
681	14.00	4.84			
731	14.50	5.34			
781	15.00	5.84			
831	15.50	6.34			
881	16.00	6.84	SHOWN		
931	16.50	7.34			
981	17.00	7.84			

TOLERANCES UNLESS SPECIFIED		DEC.	INCHES	TITLE	OUTLINE	DRAWN	
NO.	REVISION					CHK	ML
.X	±.1			LEESON ELECTRIC MOTORS GEARMOTORS AND DRIVES	APPD	GK	06-22-2007
.XX	±.03				SCALE	1=2	
.XXX	±.005				REF		
.XXXX	±.0005				FMF		
1	COND. BOX INSTALLED VIEW UPDATED PER ECR-0044571	UD	10/17/13				
		ST	.XXXX ±.0005	MAT'L.			
		CHK	ANG ±7'30"	FINISH			
THIS DRAWING IN DESIGN AND DETAIL IS OUR PROPERTY AND MUST NOT BE USED EXCEPT IN CONNECTION WITH OUR WORK ALL RIGHTS OF DESIGN AND INVENTION ARE RESERVED THIS IS AN ELECTRONICALLY GENERATED DOCUMENT - DO NOT SCALE THIS PRINT				RFP	06-22-2007	CAD FILE	104585LE
				DIST	WP	SIZE	DRAWING NO. PAGE OF REV.
						B	104585LE 1

HIGH VOLTAGE CONNECTIONS

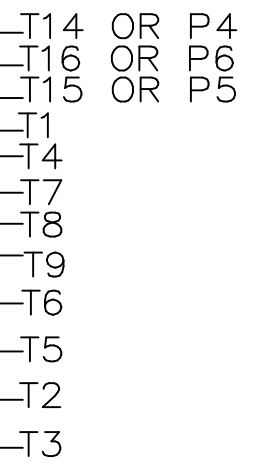
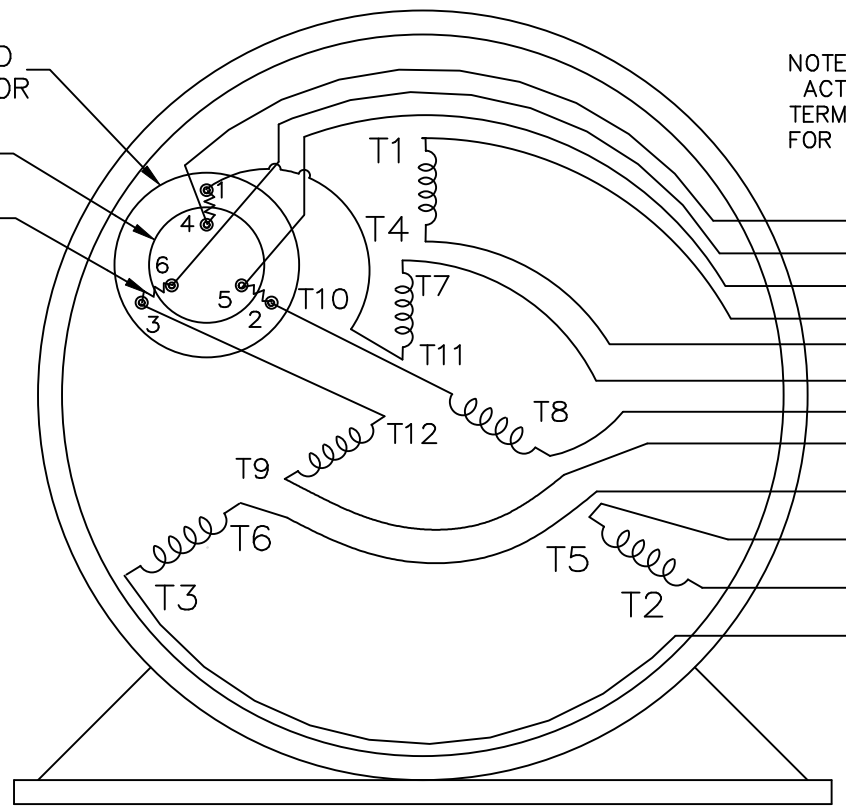


THREE PHASE – DUAL VOLTAGE MOTOR WITH OVERLOAD PROTECTOR

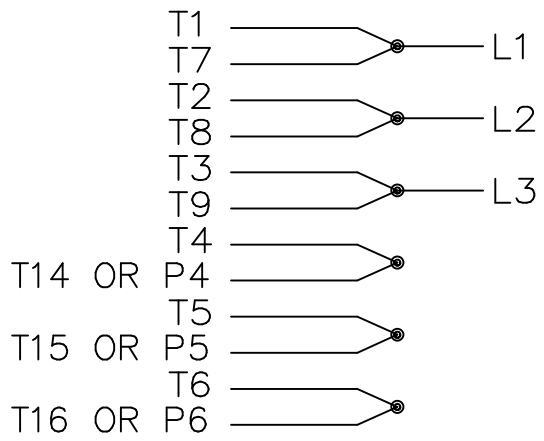


NOTE:
 ACTUAL PROTECTORS
 TERMINAL LOCATIONS
 FOR LEAD CONNECTIONS

OVERLOAD PROTECTOR
 DISC
 HEATER



LOW VOLTAGE CONNECTIONS



VIEW OF TERMINAL END

T2K
 T4D
 T6AN

				TOLERANCES UNLESS SPECIFIED		ELECTRIC MOTORS GEARMOTORS AND DRIVES	DRAWN NJS 04-20-2005					
				DEC.	INCHES		CHK ML 04-20-2005					
				.X	± -		APPD MJS 04-20-2005					
				.XX	± -		SCALE					
				.XXX	± -		REF					
				.XXXX	± -	MAT'L.						
				ANG	± -	FINISH						
NO.	REVISION	BY & DATE	CHK	ANG	± -	FINISH		PREV				
THIS DRAWING IN DESIGN AND DETAIL IS OUR PROPERTY AND MUST NOT BE USED EXCEPT IN CONNECTION WITH OUR WORK ALL RIGHTS OF DESIGN AND INVENTION ARE RESERVED THIS IS AN ELECTRONICALLY GENERATED DOCUMENT - DO NOT SCALE THIS PRINT				RFP	04-20-2005	CAD FILE EE7335_LE		SIZE	DRAWING NO.	PAGE	OF	REV.
				DIST	WP			A	EE7335-LE			



P.O. BOX 8003
WAUSAU, WI 54401-8003
PH. 715-675-3311

DATA VOLTS: 460

CERTIFICATION DATA SHEET

CONN. DIAGRAM: EET7335-LE
OUTLINE: 1045851E-781
WINDING: Z12141

CAT #: 121914.00

R1 1

TYPICAL MOTOR PERFORMANCE DATA

HP	KW	SYNC RPM	FL RPM	FRAME	ENCLOSURE	TYPE	KVA CODE	DESIGN	
1.5	1.1	3600	3515	143T	TEFC	TFR	M	B	
PH	HZ	VOLTS	AMPS	START TYPE	DUTY	INSL	S.F.	AMB	ELEV.
3	60/50	230/460#190/380	4/283.4/1.7	ACROSS THE LINE	CONT	B	1.15	40	3300
	F.L. EFF	84.0	3/4 LD EFF	84.8	1/2 LD EFF	82.3	GTD EFF		ELECT. TYPE
	F.L. PF	83.5	3/4 LD PF	77.8	1/2 LD PF	67.2	82.5		SO CAGE IND RUN
	F.L. TORQUE	LR AMPS @ 460 V	L.R. TORQUE		B.D. TORQUE		F.L. RISE (°C)		
	2.20 LB-FT	19.4	7.3 LB-FT	332%	9.6 LB-FT	436%	38		
	PRESSURE @3	POWER	ROTOR WK²	MAX. LOAD WK²	SAFE STALL TIME	STARTS/HOUR	MOTOR WGT		
	69 DBA	78 DBA	0.05 LB-FT²	3 LB-FT²	20 SEC.	2	55 LB.		

*** SUPPLEMENTAL INFORMATION ***

DE BRACKET TYPE	ODE BRACKET TYPE	MOUNT TYPE	MOTOR ORIENTATION	SEVERE DUTY	HAZARDOUS LOCATION	DRIP COVER	SCREENS	PAINT
STANDARD	STANDARD	RIGID	HORIZONTAL	NO	DEF CL IGR C&D CL IIGF	NO	NONE	BLUE (POWDER)
BEARINGS	GREASE	SHAFT TYPE	SPECIAL DE	SPECIAL ODE	SHAFT	MATERIAL	FRAME MATERIAL	
DE BALL 205	BALL POLYREX EM	T	NONE	NONE	1144 STRESSPROOF (C-223)	ROLLED STEEL		

THERMOSTATS	PROTECTORS	WDG RTD's	BRG RTD's	THERMISTORS	CONTROL	SPACE HEATERS
NONE	AUTOMATIC	NONE	NONE	NONE	FALSE	NA
R1 (ohms/ph)	R2 (ohms/ph)	X1 (ohms/ph)	X2 (ohms/ph)	Xm (ohms/ph)	VIBRATION (in/sec)	FLOAT
1.419	0.946	2.318	2.129	79.937	0.150	ODE

* N O T E S	INVERTER TORQUE: NONE	
	INV. HP SPEED RANGE: NONE	
	ENCODER: NONE	NONE PPR
	BRAKE: NONE	NONE
	FT-LB: NONE	NA

DATE: 1/17/2018	UL: NONE	HZ:
-----------------	----------	-----



Motor Load Data						
Load	0%	25%	50%	75%	100%	LR
Current (Amps)	0.90	1.00	1.30	1.60	2.00	19.4
Torque (ft-lb)	0.00	0.60	1.10	1.70	2.20	7.3
RPM	3600	3575	3555	3535	3515	0
Efficiency (%)		73.4	82.3	84.8	84.0	
P.F. (%)	17.0	47.5	67.2	77.8	83.5	58.0

Motor Speed Data						Information Block																					
	LR	Pull-Up	BD	Rated	Idle	HP	Sync. RPM	Frame	Enclosure	Construction	Voltage	Frequency	Design	LR Code letter	Service Factor	Temp Rise @ FL	Duty	Ambient	Elevation	Rotor/Shaft wk ²	Ref Wdg	Sound Pressure @ 1M	VFD Rating	Outline Dwg	Conn. Diag	Additional Specifications:	
Speed (RPM)	0	650	2815	3515	3600	1.5	3600	143	TEFC	TFR	230/460#190/380	60	A	M	1.15	38	CONT	40 °C	1,000 feet	0.05	Z12141 R1	69	NONE	104589LE-781	EE7335-LE		
Current (Amps)	19.4	18.6	12.1	2.00	0.90																						
Torque (ft-lb)	7.3	6.1	9.6	2.20	0.00																						

EQUIV CKT (OHMS / PHASE)					
R1	R2	X1	X2	Xm	
1.4190	0.9460	2.3180	2.1290	79.9370	

