

PRODUCT INFORMATION PACKET



Model No: A6T17XB21F

Catalog No: 111923.00

..3/4HP..1725RPM.56.EPFC.208-

230/460V.3PH.60HZ.CONT.40C.1.0/1.0SF.RIGID.A6T17XB21F.....EXPLOSION-PROOF.AUTOMATIC.....

Explosion Proof



Regal and Leeson are trademarks of Regal Beloit Corporation or one of its affiliated companies.

©2018 Regal Beloit Corporation, All Rights Reserved. MC017097E



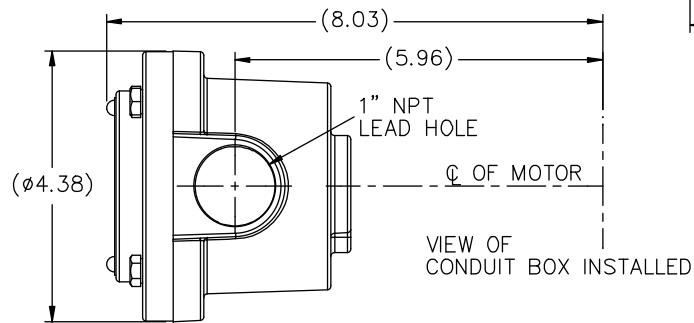
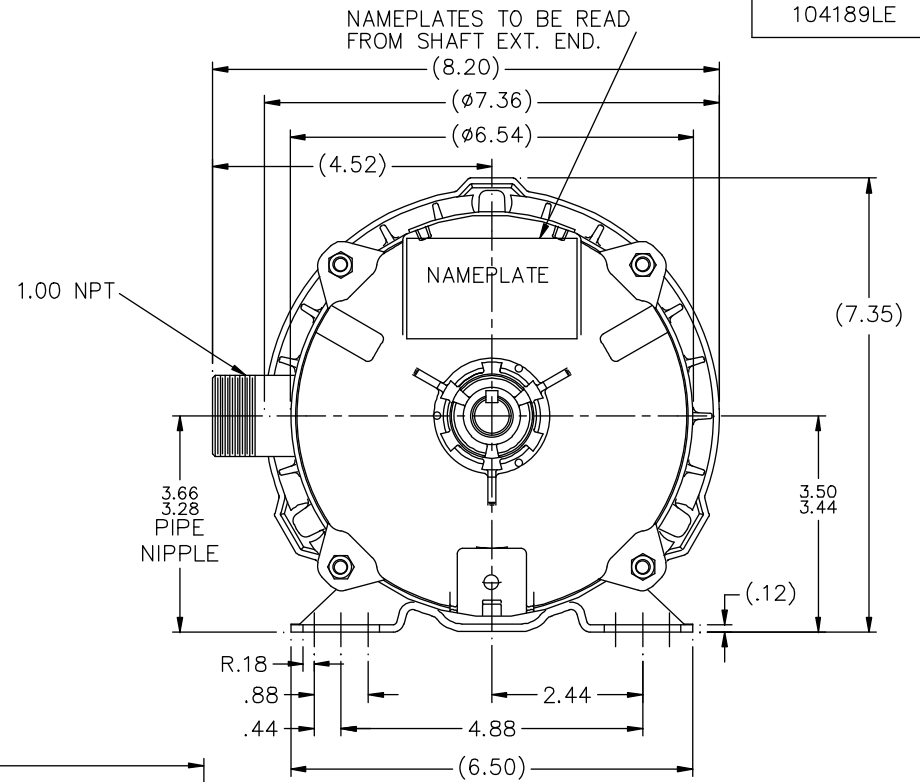
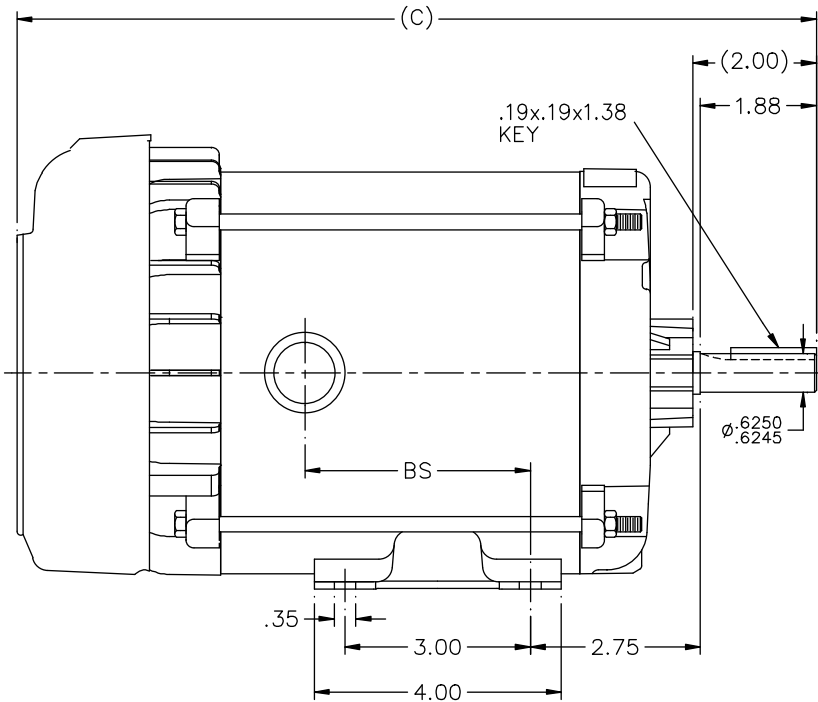


Nameplate Specifications

Output HP	0.75 Hp	Output KW	0.56 kW
Frequency	60 Hz	Voltage	208-230/460 V
Current	2.9-3.0/1.5 A	Speed	1725 rpm
Service Factor	1	Phase	3
Efficiency	75.5 %	Duty	Continuous
Insulation Class	B	Design Code	B
KVA Code	L	Frame	56
Enclosure	Explosion Proof Fan cooled	Overload Protector	Automatic
Ambient Temperature	40 °C	Drive End Bearing Size	6203
Opp Drive End Bearing Size	6203	UL	Recognized
CSA	Y	CE	N
IP Code	54		

Technical Specifications

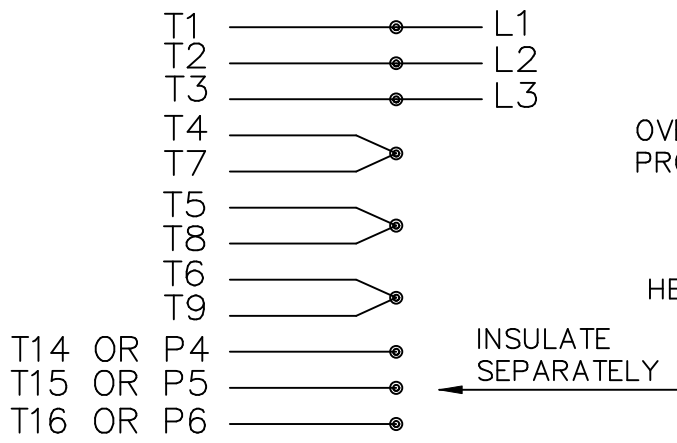
Electrical Type	Squirrel Cage Induction Run	Starting Method	Across The Line
Poles	4	Rotation	Reversible
Mounting	Rigid base	Motor Orientation	HORIZONTAL
Drive End Bearing	BALL	Opp Drive End Bearing	BALL
Frame Material	Rolled Steel	Shaft Type	NEMA 56
Overall Length	13.94 in	Frame Length	6.81 in
Shaft Diameter	0.625 in	Shaft Extension	1.88 in
Assembly/Box Mounting	F1 ONLY		
Outline Drawing	B-104189LE-681	Connection Diagram	A-EE7335-LE



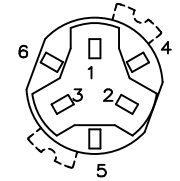
DASH	(C)	BS			
631	13.44	4.15			
681	13.94	4.65			
731	14.44	5.15			
781	14.94	5.65			
831	15.44	6.15			
881	15.94	6.65			
931	16.44	7.15			
981	16.94	7.65			

		TOLERANCES UNLESS SPECIFIED		ELECTRIC MOTORS GEARMOTORS AND DRIVES		DRAWN RJW 06-22-2007	
		DEC.	INCHES			CHK	ML 06-22-2007
		.X	±.1			APPD	GK 06-22-2007
		.XX	±.03				SCALE 1=2
		.XXX	±.005			REF	
1	COND. BOX INSTALLED VIEW UPDATED PER ECR-0044571	UD	10/15/13	ST	.XXXX ±.0005	MAT'L.	
NO.	REVISION	BY & DATE		CHK	ANG ±7'30"	FINISH	PREV
THIS DRAWING IN DESIGN AND DETAIL IS OUR PROPERTY AND MUST NOT BE USED EXCEPT IN CONNECTION WITH OUR WORK ALL RIGHTS OF DESIGN AND INVENTION ARE RESERVED THIS IS AN ELECTRONICALLY GENERATED DOCUMENT - DO NOT SCALE THIS PRINT				RFP	06-22-2007	CAD FILE 104189LE	SIZE B
						DRAWING NO.	PAGE OF
						104189LE	1

HIGH VOLTAGE CONNECTIONS

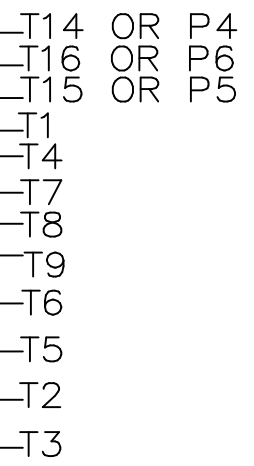
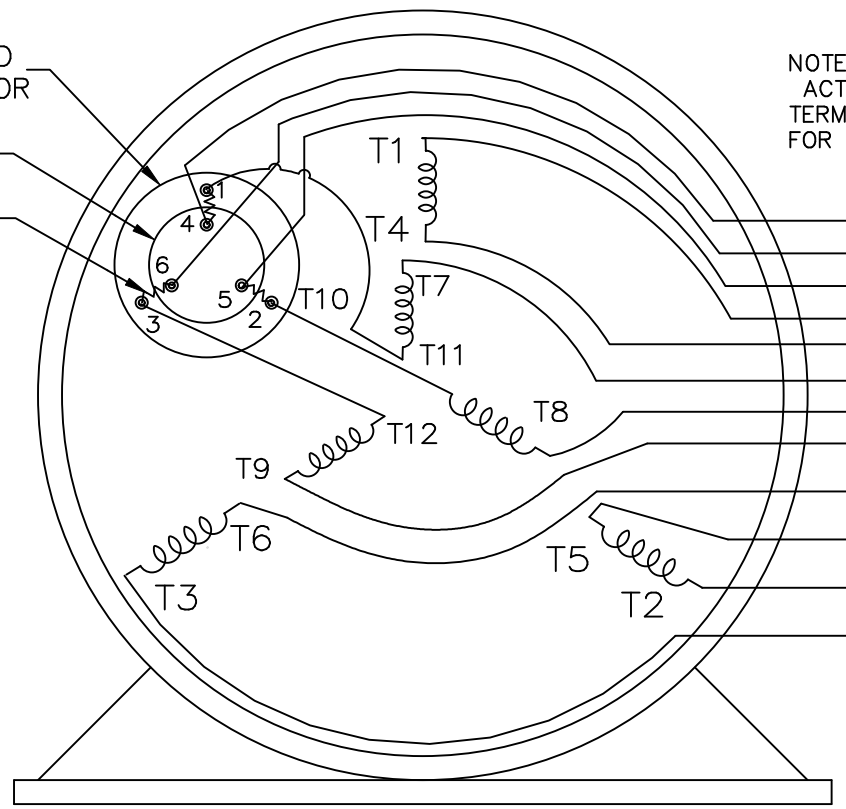


THREE PHASE – DUAL VOLTAGE MOTOR WITH OVERLOAD PROTECTOR

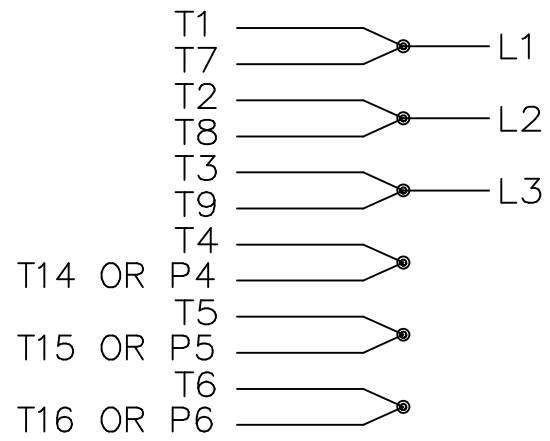


NOTE:
 ACTUAL PROTECTORS
 TERMINAL LOCATIONS
 FOR LEAD CONNECTIONS

OVERLOAD PROTECTOR
 DISC
 HEATER



LOW VOLTAGE CONNECTIONS



VIEW OF TERMINAL END

T2K
 T4D
 T6AN

				TOLERANCES UNLESS SPECIFIED		ELECTRIC MOTORS GEARMOTORS AND DRIVES	DRAWN NJS 04-20-2005					
				DEC.	INCHES		CHK ML 04-20-2005					
				.X	± -		APPD MJS 04-20-2005					
				.XX	± -		SCALE					
				.XXX	± -		REF					
				.XXXX	± -	MAT'L.						
				ANG	± -	FINISH						
NO.	REVISION	BY & DATE	CHK	ANG	± -	FINISH		PREV				
THIS DRAWING IN DESIGN AND DETAIL IS OUR PROPERTY AND MUST NOT BE USED EXCEPT IN CONNECTION WITH OUR WORK ALL RIGHTS OF DESIGN AND INVENTION ARE RESERVED THIS IS AN ELECTRONICALLY GENERATED DOCUMENT - DO NOT SCALE THIS PRINT				RFP	04-20-2005	CAD FILE EE7335_LE		SIZE	DRAWING NO.	PAGE	OF	REV.
				DIST	WP			A	EE7335-LE			



P.O. BOX 8003
WAUSAU, WI 54401-8003
PH. 715-675-3311

DATA VOLTS: 460

CERTIFICATION DATA SHEET

CONN. DIAGRAM: A-EET7335-LE
OUTLINE: B-104189LE-681
WINDING: ZT411

R11 3

CAT #: 111923.00

TYPICAL MOTOR PERFORMANCE DATA

HP	KW	SYNC RPM	FL RPM	FRAME	ENCLOSURE	TYPE	KVA CODE	DESIGN	
0.75	0.56	1800	1725	56	EPFC	TFR	L	B	
PH	HZ	VOLTS	AMPS	START TYPE	DUTY	INSL	S.F.	AMB	ELEV.
3	60/50	208-230/460#190/380	2.9-3/1.5&2.7/1.35	ACROSS THE LINE	CONT	B	1.15	40	3300
	F.L. EFF	75.5	3/4 LD EFF	74.5	1/2 LD EFF	71.0	GTD EFF		ELECT. TYPE
	F.L. PF	66.3	3/4 LD PF	57.0	1/2 LD PF	45.5	72.0		SO CAGE IND RUN
F.L. TORQUE		LR AMPS @ 460 V		L.R. TORQUE		B.D. TORQUE		F.L. RISE (°C)	
2.28 LB-FT		9.3		8.2 LB-FT	360%	10.0 LB-FT		439%	35
PRESSURE @ 3		POWER		ROTOR WK²		MAX. LOAD WK²		SAFE STALL TIME	
62 DBA		71 DBA		0.07 LB-FT²		5 LB-FT²		12 SEC.	
									STARTS/HOUR
									2
									MOTOR WGT
									25 LB.

*** SUPPLEMENTAL INFORMATION ***

DE BRACKET TYPE	ODE BRACKET TYPE	MOUNT TYPE	MOTOR ORIENTATION	SEVERE DUTY	HAZARDOUS LOCATION	DRIIP COVER	SCREENS	PAINT
STANDARD	STANDARD	RIGID	HORIZONTAL	NO	DEF CL IGR C&D CL IIGF	NO	NONE	JE-LEESON/ENAM
BEARINGS DE	ODE	GREASE	SHAFT TYPE	SPECIAL DE	SPECIAL ODE	SHAFT	MATERIAL	FRAME MATERIAL
BALL BALL 6203		POLYREX EM	STANDARD 56	NONE	NONE	1144 STRESSPROOF (C-223)		ROLLED STEEL

THERMOSTATS	PROTECTORS	WDG RTD's	BRG RTD's	THERMISTORS	CONTROL	SPACE HEATERS
NONE	AUTOMATIC	NONE	NONE	NONE	FALSE	NA
R1 (ohms/ph)	R2 (ohms/ph)	X1 (ohms/ph)	X2 (ohms/ph)	Xm (ohms/ph)	VIBRATION (in/sec)	FLOAT
0	0	0	0	0	0.150	ODE

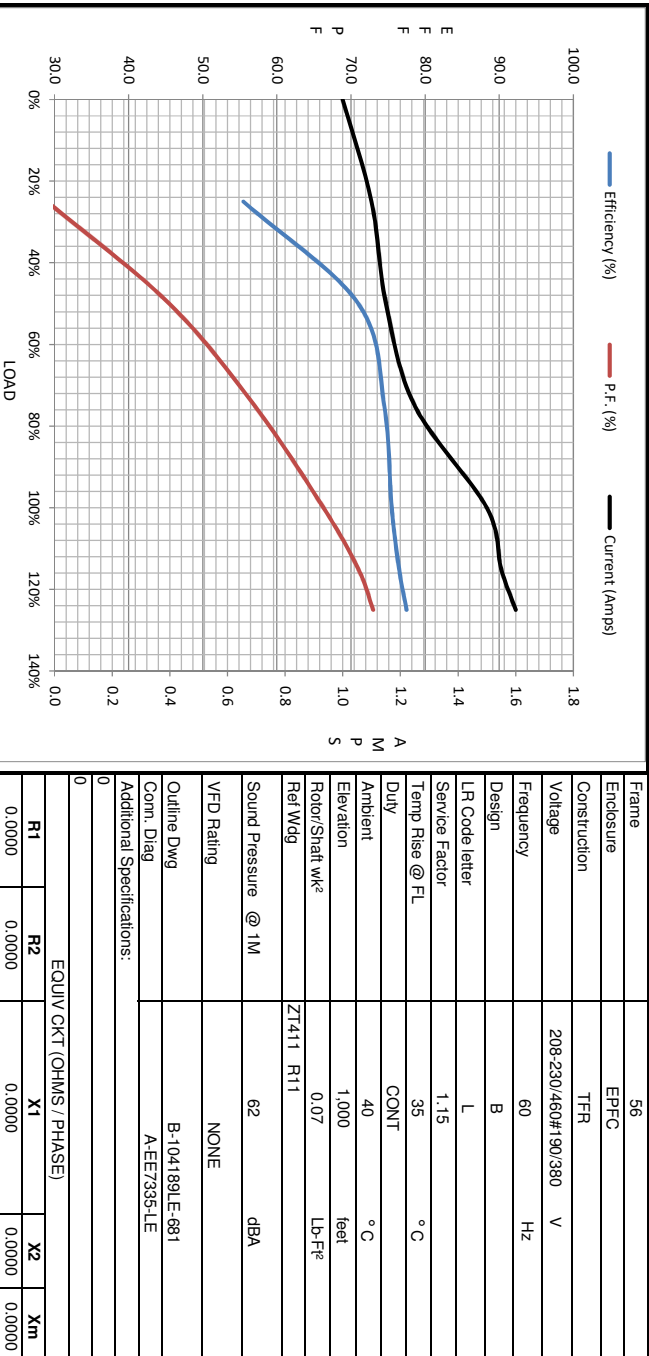
* N O T E S *		INVERTER TORQUE: NONE	
		INV. HP SPEED RANGE: NONE	
		ENCODER: NONE	
		BRAKE: NONE	
		FT-LB: NONE	
		VOLTAGE: NONE	
		UL: Y-(LEESON UL REC)	

DATE: 1/24/2018	INVERTER TORQUE: NONE
	INV. HP SPEED RANGE: NONE
	ENCODER: NONE
	BRAKE: NONE
	FT-LB: NONE
	VOLTAGE: NONE
	UL: Y-(LEESON UL REC)



Motor Load Data						
Load	0%	25%	50%	75%	100%	LR
Current (Amps)	1.00	1.10	1.15	1.25	1.50	9.3
Torque (ft-lb)	0.00	0.52	1.10	1.70	2.28	8.2
RPM	1800	1785	1770	1750	1725	0
Efficiency (%)		55.5	71.0	74.5	75.5	
P.F. (%)	11.5	29.0	45.5	57.0	66.3	75.0

Motor Speed Data						Information Block									
LR	Pull-Up	BD	Rated	Idle		HP	0.8	1800	56	EPFC	TFR	208-230/460#190/380	V	60	Hz
Speed (RPM)	0	750	1230	1725	1800										
Current (Amps)	9.3	8.4	6.0	1.50	1.00										
Torque (ft-lb)	8.2	7.4	10.0	2.28	0.00										



HP	0.8
Sync. RPM	1800
Frame	56
Enclosure	EPFC
Construction	TFR
Voltage	208-230/460#190/380 V
Frequency	60 Hz
Design	B
LR Code letter	L
Service Factor	1.15
Temp Rise @ FL	35 °C
Duty	CONT
Ambient	40 °C
Elevation	1,000 feet
Rotor/Shaft wk ²	0.07 LB-Ft ²
Ref Wdg	Z1411 R11
Sound Pressure @ 1M	62 dBA
VFD Rating	NONE
Outline Dwg	B-104189LE-081
Conn. Diag	A-EE7335-1E
Additional Specifications:	
0	
EQUIV CKT (OHMS / PHASE)	
R1	R2
0.0000	0.0000
X1	X2
0.0000	0.0000
Xm	Xm
0.0000	0.0000

