

PRODUCT INFORMATION PACKET



Model No: A6T17EB22F

Catalog No: 111932.00

..1/3HP..1725RPM.56.EPNV..V.3PH.60HZ.CONT.40C.1.0SF.RIGID.A6T17EB22F.....EXPLOSION-
PROOF.AUTOMATIC.....

Explosion Proof



Regal and Leeson are trademarks of Regal Beloit Corporation or one of its affiliated companies.

©2018 Regal Beloit Corporation, All Rights Reserved. MC017097E



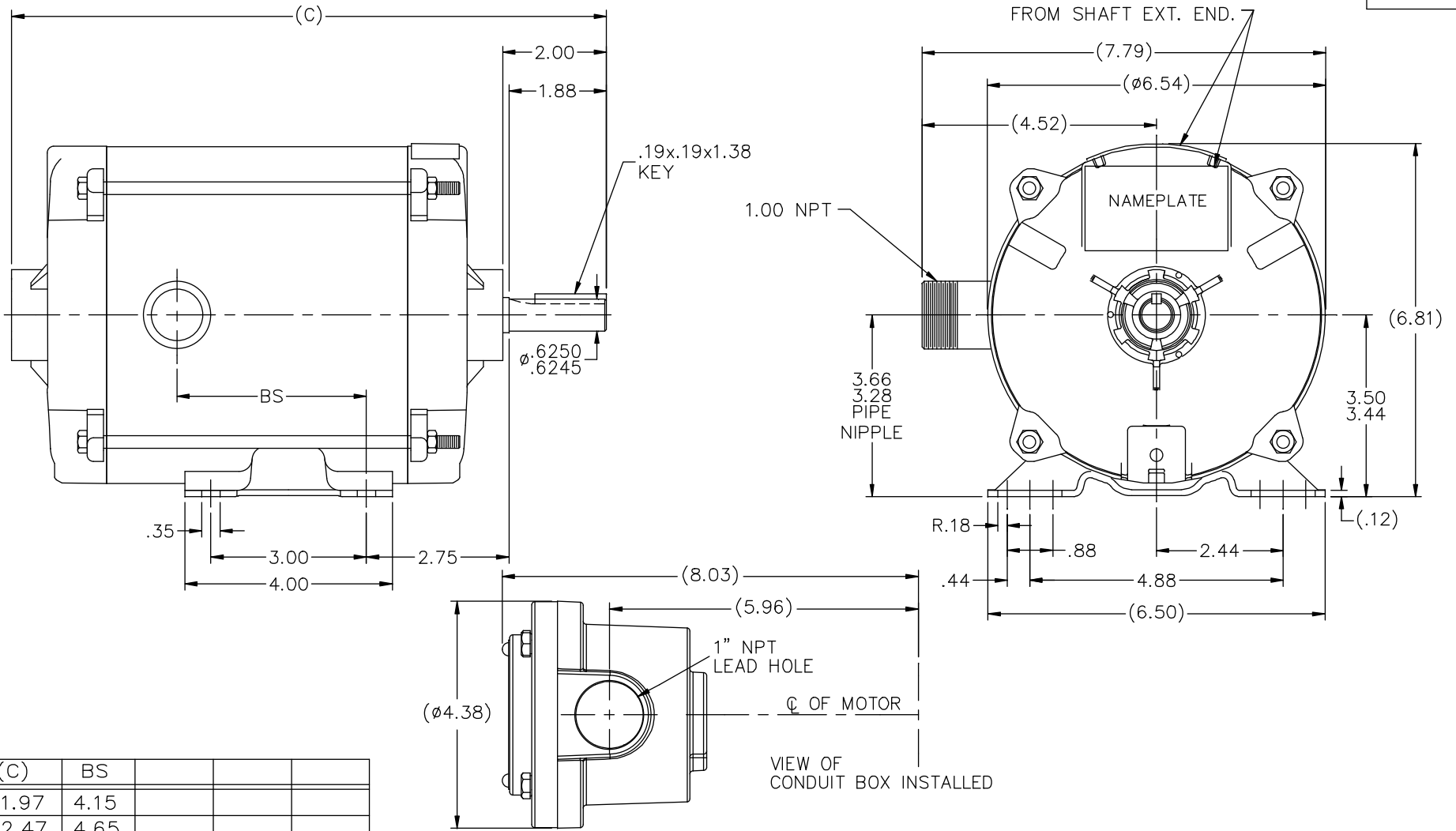


Nameplate Specifications

Output HP	0.33 Hp	Output KW	0.25 kW
Frequency	60 Hz	Voltage	208-230/460 V
Current	1.2-1.2/0.60 A	Speed	1725 rpm
Service Factor	1	Phase	3
Efficiency	74.5 %	Duty	Continuous
Insulation Class	B	Design Code	B
KVA Code	K	Frame	56
Enclosure	Explosion Proof Non Ventilated	Overload Protector	Automatic
Ambient Temperature	40 °C	Drive End Bearing Size	6203
Opp Drive End Bearing Size	6203	UL	Recognized
CSA	Y	CE	N
IP Code	54		

Technical Specifications

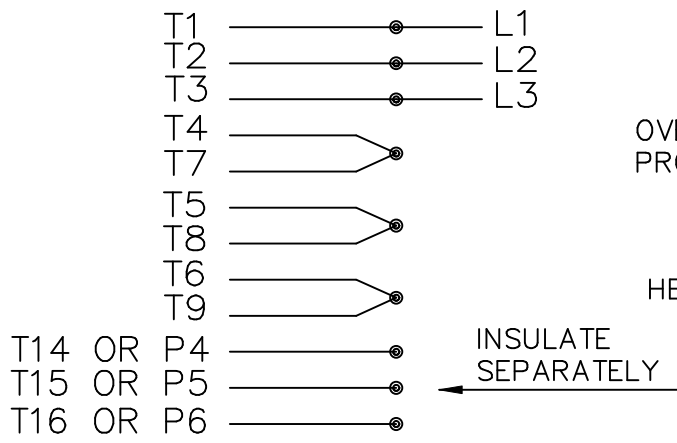
Electrical Type	Squirrel Cage Induction Run	Starting Method	Across The Line
Poles	4	Rotation	Reversible
Mounting	Rigid base	Motor Orientation	HORIZONTAL
Drive End Bearing	BALL	Opp Drive End Bearing	BALL
Frame Material	Rolled Steel	Shaft Type	NEMA 56
Overall Length	11.97 in	Frame Length	6.31 in
Shaft Diameter	0.625 in	Shaft Extension	1.88 in
Assembly/Box Mounting	F1 ONLY		
Outline Drawing	B-104196LE-631	Connection Diagram	A-EE7335-LE



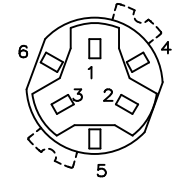
DASH	(C)	BS		
631	11.97	4.15		
681	12.47	4.65		
731	12.97	5.15		
781	13.47	5.65		
831	13.97	6.15		
881	14.47	6.65		
931	14.97	7.15		
981	15.47	7.65		

				TOLERANCES UNLESS SPECIFIED		LEESON	ELECTRIC MOTORS GEARMOTORS AND DRIVES	DRAWN RJW 06-22-2007	
				DEC.	INCHES			CHK	ML
				.X	±.1			APPD	GK 06-22-2007
				.XX	±.03			SCALE	17=32
				.XXX	±.005	TITLE	OUTLINE	REF	
				.XXXX	±.0005	56 FRAME - EXP. PR. - TENV - 1Ø & 3Ø			
1	COND. BOX INSTALLED VIEW UPDATED PER ECR-0044571	UD	10/15/13	CHK	ANG	MAT'L.		FMF	
	REVISION		BY & DATE			FINISH		PREV	
THIS DRAWING IN DESIGN AND DETAIL IS OUR PROPERTY AND MUST NOT BE USED EXCEPT IN CONNECTION WITH OUR WORK ALL RIGHTS OF DESIGN AND INVENTION ARE RESERVED THIS IS AN ELECTRONICALLY GENERATED DOCUMENT - DO NOT SCALE THIS PRINT				RFP	06-22-2007	CAD FILE	104196LE	SIZE	DRAWING NO. PAGE OF REV.
				DIST	WP			B	104196LE 1

HIGH VOLTAGE CONNECTIONS

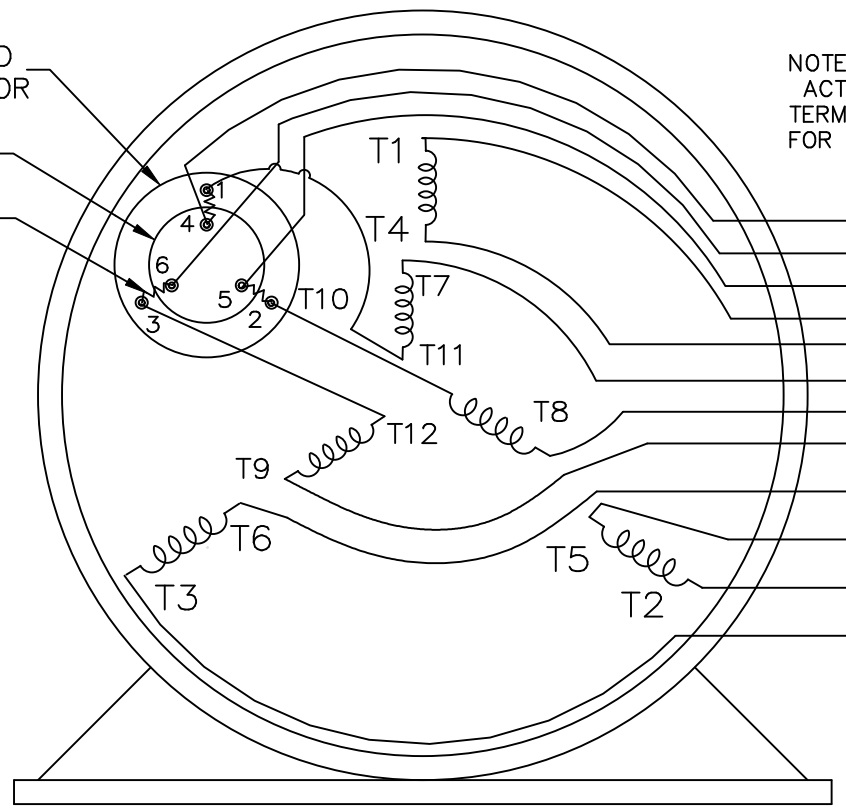


THREE PHASE - DUAL VOLTAGE MOTOR WITH OVERLOAD PROTECTOR



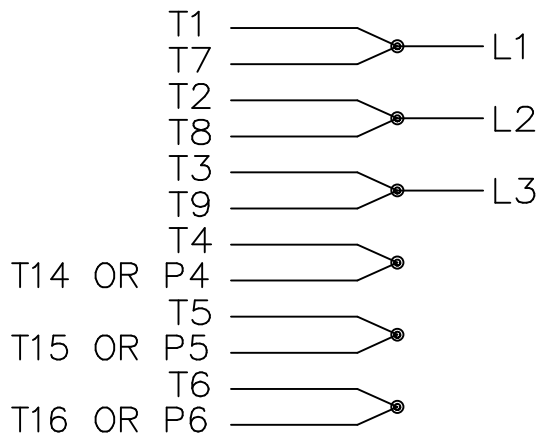
NOTE:
ACTUAL PROTECTORS
TERMINAL LOCATIONS
FOR LEAD CONNECTIONS

OVERLOAD PROTECTOR
DISC
HEATER



T14 OR P4
T16 OR P6
T15 OR P5

LOW VOLTAGE CONNECTIONS



VIEW OF TERMINAL END

T2K
T4D
T6AN

				TOLERANCES UNLESS SPECIFIED		ELECTRIC MOTORS GEARMOTORS AND DRIVES	DRAWN NJS 04-20-2005			
				DEC.	INCHES		CHK ML 04-20-2005			
				.X	± -		APPD MJS 04-20-2005			
				.XX	± -		SCALE			
				.XXX	± -		REF			
				.XXXX	± -	MAT'L.				
NO.	REVISION	BY & DATE	CHK	ANG	± -	FINISH	PREV			
THIS DRAWING IN DESIGN AND DETAIL IS OUR PROPERTY AND MUST NOT BE USED EXCEPT IN CONNECTION WITH OUR WORK ALL RIGHTS OF DESIGN AND INVENTION ARE RESERVED THIS IS AN ELECTRONICALLY GENERATED DOCUMENT - DO NOT SCALE THIS PRINT				RFP	04-20-2005	CAD FILE EE7335_LE	SIZE A	DRAWING NO. EE7335-LE	PAGE OF	REV.
				DIST	WP					



P.O. BOX 8003
WAUSAU, WI 54401-8003
PH. 715-675-3311

DATA VOLTS: 460

CERTIFICATION DATA SHEET

CONN. DIAGRAM: A-EET7335-LE
OUTLINE: B-104196LE-631
WINDING: ZT493

R6 3

CAT #: 111992.00

TYPICAL MOTOR PERFORMANCE DATA

HP	KW	SYNC RPM	FL RPM	FRAME	ENCLOSURE	TYPE	KVA CODE	DESIGN	
0.33	0.25	1800	1725	56	EPNV	TTR	K	B	
PH	HZ	VOLTS	AMPS	START TYPE	DUTY	INSL	S.F.	AMB	ELEV.
3	60/50	208-230/460#190/380	1.2-1.2/.68/1.1/56	ACROSS THE LINE	CONT	B	1.15	40	3300
F.L. EFF	F.L. PF	3/4 LD EFF	7/2.5	1/2 LD EFF	67.5	GTD EFF	71.5	ELECT. TYPE	
								SQ CAGE IND RUN	
F.L. TORQUE	LR AMPS @ 460 V	L.R. TORQUE	B.D. TORQUE	F.L. RISE (°C)					
1.00 LB-FT	3.6	3.0 LB-FT	300%	3.8 LB-FT	380%	35			
PRESSURE @ 3	POWER	ROTOR WK²	MAX. LOAD WK²	SAFE STALL TIME	STARTS/HOUR	MOTOR WGT			
60 DBA	69 DBA	0.04 LB-FT²	2 LB-FT²	15 SEC.	2	21 LB.			

*** SUPPLEMENTAL INFORMATION ***

DE BRACKET TYPE	ODE BRACKET TYPE	MOUNT TYPE	MOTOR ORIENTATION	SEVERE DUTY	HAZARDOUS LOCATION	DRIP COVER	SCREENS	PAINT
STANDARD	STANDARD	RIGID	HORIZONTAL	NO	DEF CL I GR C&D CL II GR	NO	NONE	JE-LEESON/ENAM
BEARINGS	GREASE	SHAFT TYPE	SPECIAL DE	SPECIAL ODE	SHAFT	MATERIAL	FRAME MATERIAL	
BALL BALL 6203	POLYREX EM	STANDARD 56	NONE	NONE	1144 STRESSPROOF (C-223)	ROLLED STEEL		

THERMOSTATS	PROTECTORS	WDG RTD's	BRG RTD's	THERMISTORS	CONTROL	SPACE HEATERS
NONE	AUTOMATIC	NONE	NONE	NONE	FALSE	NA
R1 (ohms/ph)	R2 (ohms/ph)	X1 (ohms/ph)	X2 (ohms/ph)	Xm (ohms/ph)	VIBRATION (in/sec)	FLOAT
34.572	24.08	36.55	24.252	675.96	0.150	ODE

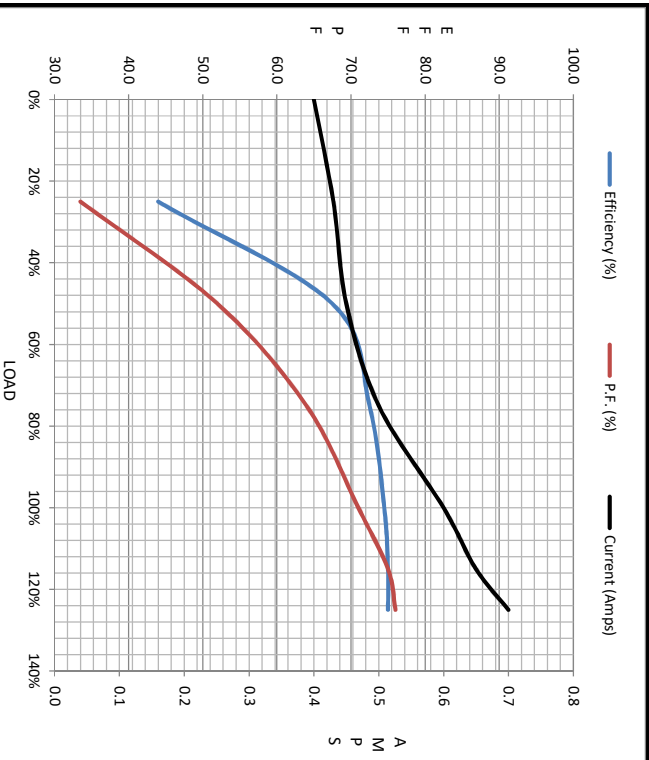
* N O T E S *		INVERTER TORQUE: NONE	
		INV. HP SPEED RANGE: NONE	
		ENCODER: NONE	
		BRAKE: NONE	
		FT-LB: NA	
		VOLTAGE: NONE	
		HZ: NONE	
		NONE PPR	

DATE: 1/24/2018	UL: Y-(LEESON UL REC)
-----------------	-----------------------



Motor Load Data						
Load	0%	25%	50%	75%	100%	LR
Current (Amps)	0.40	0.43	0.45	0.50	0.60	3.6
Torque (ft-lb)	0.00	0.20	0.50	0.75	1.00	3.0
RPM	1800	1780	1750	1735	1725	0
Efficiency (%)		44.0	67.5	72.5	74.5	
P.F. (%)	21.0	33.5	52.0	64.0	71.0	74.5

Motor Speed Data						Information Block																					
LR	Pull-Up	BD	Rated	Idle		HP	Sync. RPM	Frame	Enclosure	Construction	Voltage	Frequency	Design	LR Code letter	Service Factor	Temp Rise @ FL	Duty	Ambient	Elevation	Rotor/Shaft wk ²	Rel Wdg	Sound Pressure @ 1M	VFD Rating	Outline Dwg	Conn. Diag	Additional Specifications:	
0	320	1300	1725	1800		0.3	1800	56	EPNV	TTR	208-230/460#190/380	60	B	K	1.15	35	CONT	40 °C	1,000 feet	Z1493 R6		60	NONE	B-104196LE-631	A-EE7335-LE		
Current (Amps)	3.6	3.5	2.50	0.60	0.40																						
Torque (ft-lb)	3.0	2.90	3.8	1.00	0.00																						
Speed (RPM)																											



R1	R2	X1	X2	Xm
34.5720	24.0800	36.5500	24.2920	675.9600
EQUIV CKT (OHMS / PHASE)				
0				
Additional Specifications:				
0				

