

PRODUCT INFORMATION PACKET



Model No: M6C14FB22E

Catalog No: 113908.00

1/3HP..25kW.1425RPM.56.IP54./V.1PH.50HZ.CONT.MANUAL.40C.1.0SF.RIGID.50 HERTZ.M6C14FB22E
50 Hz



Regal and Leeson are trademarks of Regal Beloit Corporation or one of its affiliated companies.

©2018 Regal Beloit Corporation, All Rights Reserved. MC017097E





Nameplate Specifications

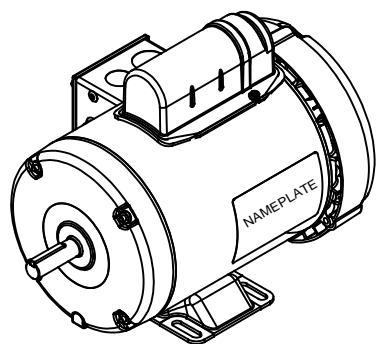
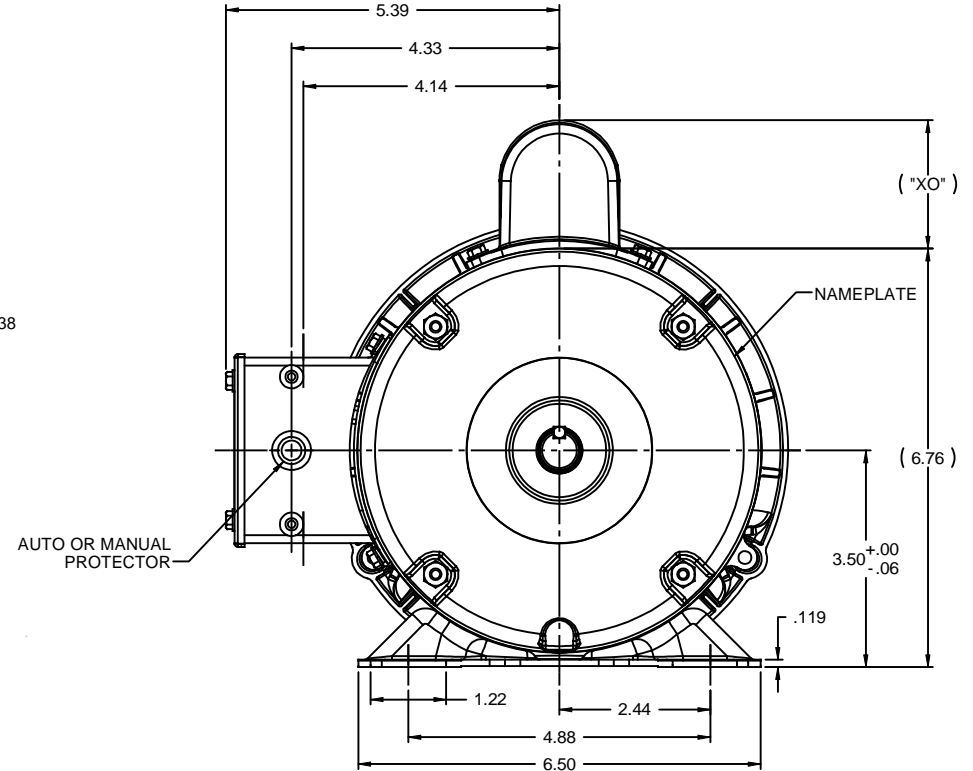
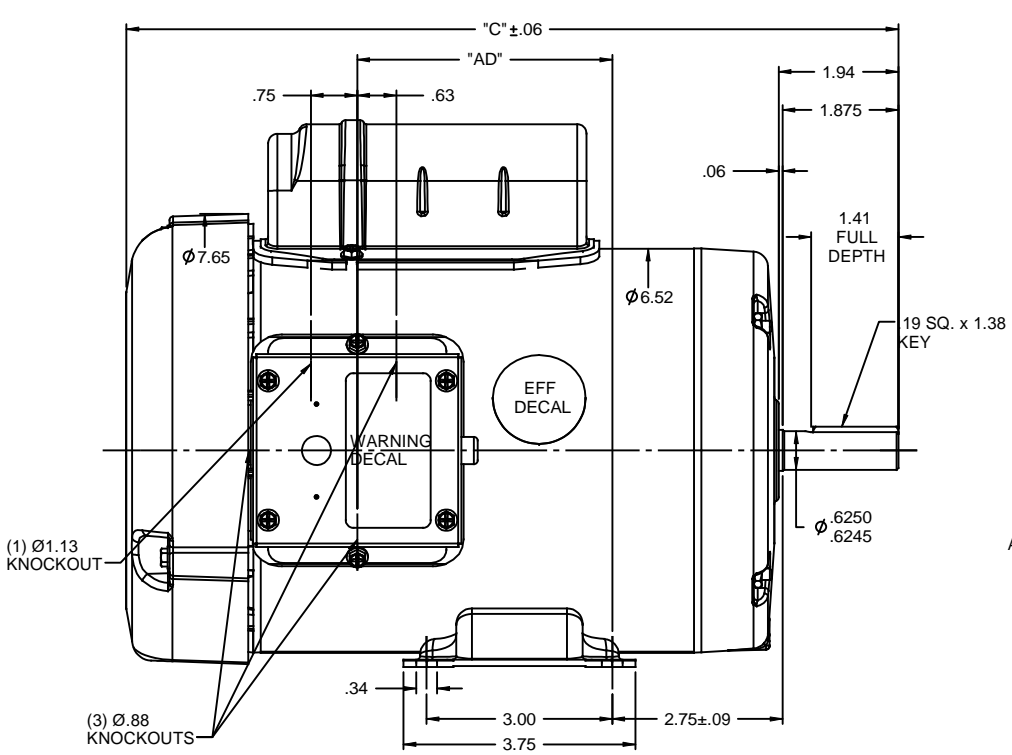
Output HP	0.33 Hp	Output KW	0.25 kW
Frequency	50 Hz	Voltage	110/220 V
Current	6.4/3.2 A	Speed	1425 rpm
Service Factor	1	Phase	1
Efficiency	65.3 %	Duty	Continuous
Insulation Class	B	Design Code	NO DESIGN CODE
KVA Code	L	Frame	56
Enclosure	Totally Enclosed Fan Cooled	Overload Protector	Manual
Ambient Temperature	40 °C	Drive End Bearing Size	6203
Opp Drive End Bearing Size	6203	UL	Recognized
CSA	Y	CE	Y
IP Code	54		

Technical Specifications

Electrical Type	Capacitor Start Induction Run	Starting Method	Across The Line
Poles	4	Rotation	Selective Counterclockwise
Mounting	Rigid base	Motor Orientation	HORIZONTAL
Drive End Bearing	BALL	Opp Drive End Bearing	BALL
Frame Material	Rolled Steel	Shaft Type	NEMA 56
Overall Length	10.98 in	Frame Length	5.50 in
Shaft Diameter	0.625 in	Shaft Extension	1.88 in
Assembly/Box Mounting	F1 ONLY		
Outline Drawing	028879-550A	Connection Diagram	005382.02

This is an uncontrolled document once printed or downloaded and is subject to change without notice. Date Created: 10/15/2018

RBC PROPRIETARY AND CONFIDENTIAL INFORMATION
 This document is the property of REGAL BELOIT CORPORATION ("RBC") including its subsidiaries and divisions and contains proprietary information of RBC. This document is loaned on the express condition that neither it nor the information contained therein shall be disclosed to others without the express written consent of RBC, and that the information shall be used by the recipient only as approved expressly by RBC. This document shall be returned to RBC upon its request. This document may be subject to certain restrictions under U.S. export control laws and regulations.

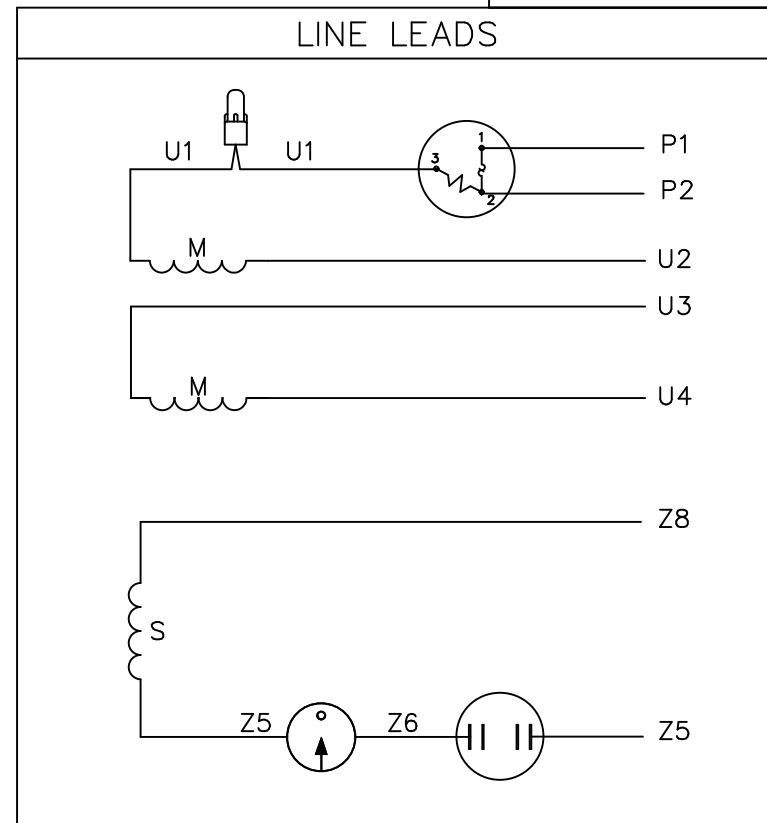
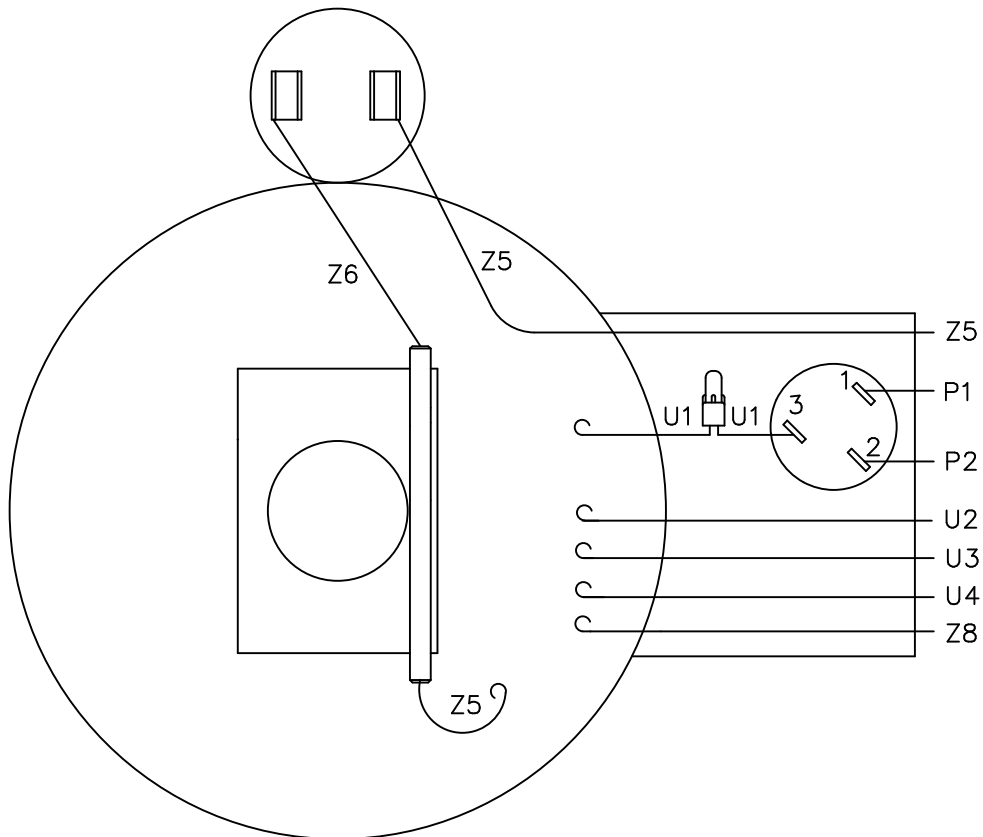


DASH NO.	"C"	"AD"	CAP DASH	"XO"
500	10.48	2.13	A	1.61
550	10.98	2.63	B	2.08
600	11.48	3.13	C	2.32
650	11.98	3.63		
700	12.48	4.13		

NOTES:
 1) GASKETS THROUGHOUT

		TOLERANCES UNLESS SPECIFIED:		LEESON ELECTRIC MOTORS GEARMOTORS AND DRIVES	DRAWN DJ 09/04/08
		DEC	INCHES		CHK
		x	±.1	APPR	
		.xx	±.03	TITLE	OUTLINE - 56 FRAME
		.xxx	±.005		TEFC - RIGID
01	ADD "AUTO OR MAN. PROT." PER ISAAC 09-5354	LST 12/16/2009	XX .xxx ±.0005	MATL	SCALE 1:2
NO	REVISION	BY & DATE	CHK ANG ±1/2"	FINISH GENERAL PURPOSE	REF 028793
			RFP	PREV	FMF 110017.00
	THIRD ANGLE PROJECTION		NETWORK FILE NAME	SIZE B	PAGE OF
				DRAWING NO	REV
				028879	01

VIEW FROM OUTSIDE OF MOTOR AT SWITCH END.



	ROTATION FACING LEAD END	L1	L2	JOIN	INSULATE SEPARATELY
HIGH VOLT	C.C.W.	P1	U4 Z5	U2,U3 Z8	P2
	C.W.	P1	U4 Z8	U2,U3 Z5	P2
LOW VOLT	C.C.W.	P1	U2,U4 Z5	P2,U3 Z8	--
	C.W.	P1	U2,U4 Z8	P2,U3 Z5	--

NO.	REVISION	BY & DATE	CHK	TOLERANCES UNLESS SPECIFIED		FINISH
				DEC.	INCHES	
				.X	±.1	
				.XX	±.01	
				.XXX	±.005	
				.XXXX	±.0005	
				ANG	±1/2°	



ELECTRIC MOTORS
GEARMOTORS
AND DRIVES

DRAWN	PJM 4/02/96
CHK	
APPD	
SCALE	1=1
REF	005382-01
FMF	114831
PREV	

TITLE	EXTERNAL WIRING DIAGRAM TYPE "C" W/PROTECTOR
MAT'L.	DECAL - 080600 IEC LEAD MARKING

THIS DRAWING IN DESIGN AND DETAIL IS OUR PROPERTY AND MUST NOT BE USED EXCEPT IN CONNECTION WITH OUR WORK ALL RIGHTS OF DESIGN AND INVENTION ARE RESERVED THIS IS AN ELECTRONICALLY GENERATED DOCUMENT - DO NOT SCALE THIS PRINT

RFP	CAD FILE	00538202	SIZE	DRAWING NO.	REV.
DIST			A	005382-02	

```
ERROR: syntaxerror  
OFFENDING COMMAND: --nostringval--
```

```
STACK:
```

```
 /im  
-savelevel-
```



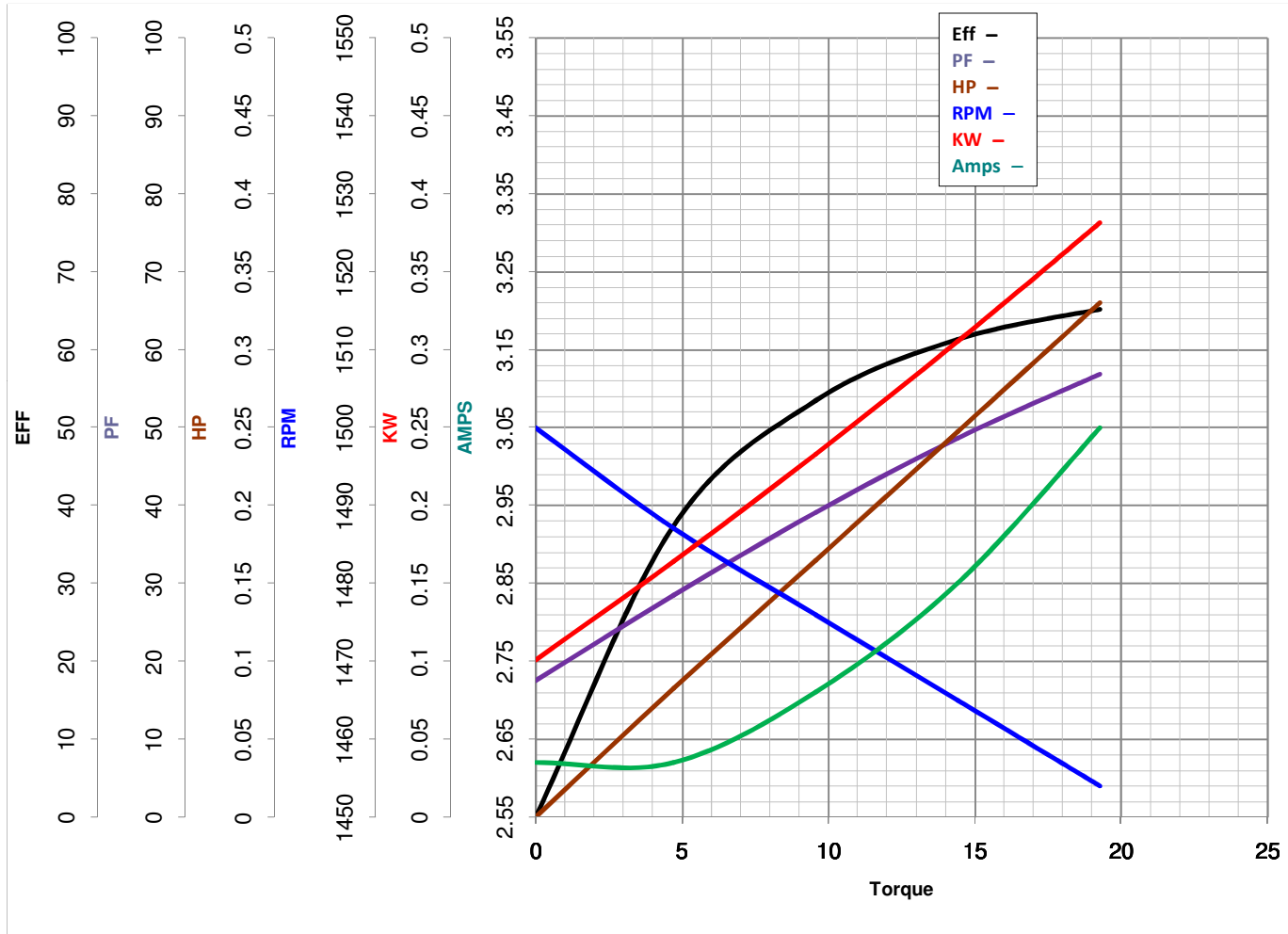
LEESON ELECTRIC CORPORATION TYPICAL PERFORMANCE CURVE for AC MOTOR

Model No 113908.00

Curve at 220 Volts HP 0.34 PHASE 1
50 HZ
0.33 HP VOLTS 110/220

Catalog No 113908.00

HZ 50 RPM 1425



Torque in Oz.Ft

FL TORQUE 19.29 Oz.Ft
BD TORQUE 57.3 Oz.Ft
LR TORQUE 73.46 Oz.Ft

FL AMPS 6.4/3.2
PU TORQUE 56.7 Oz.Ft
LR AMPS 14.9

WINDING C634270-4

Date 3/16/2018