

PRODUCT INFORMATION PACKET



Model No: C145K17FK17A

Catalog No: 121815.00

..1 1/2HP..1740RPM.145.TEFC.115/208-230V.1PH.60HZ.CONT.40C.1.0SF.RIGID
C.C145K17FK17A.....Brakemotor.NOT....1.12KW...

Brake



Regal and Leeson are trademarks of Regal Beloit Corporation or one of its affiliated companies.

©2018 Regal Beloit Corporation, All Rights Reserved. MC017097E



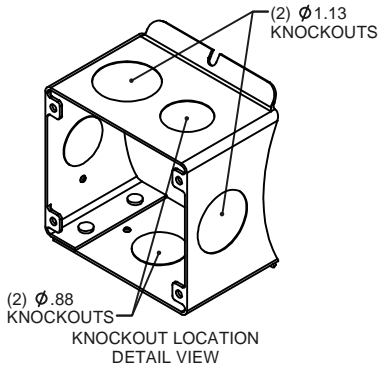
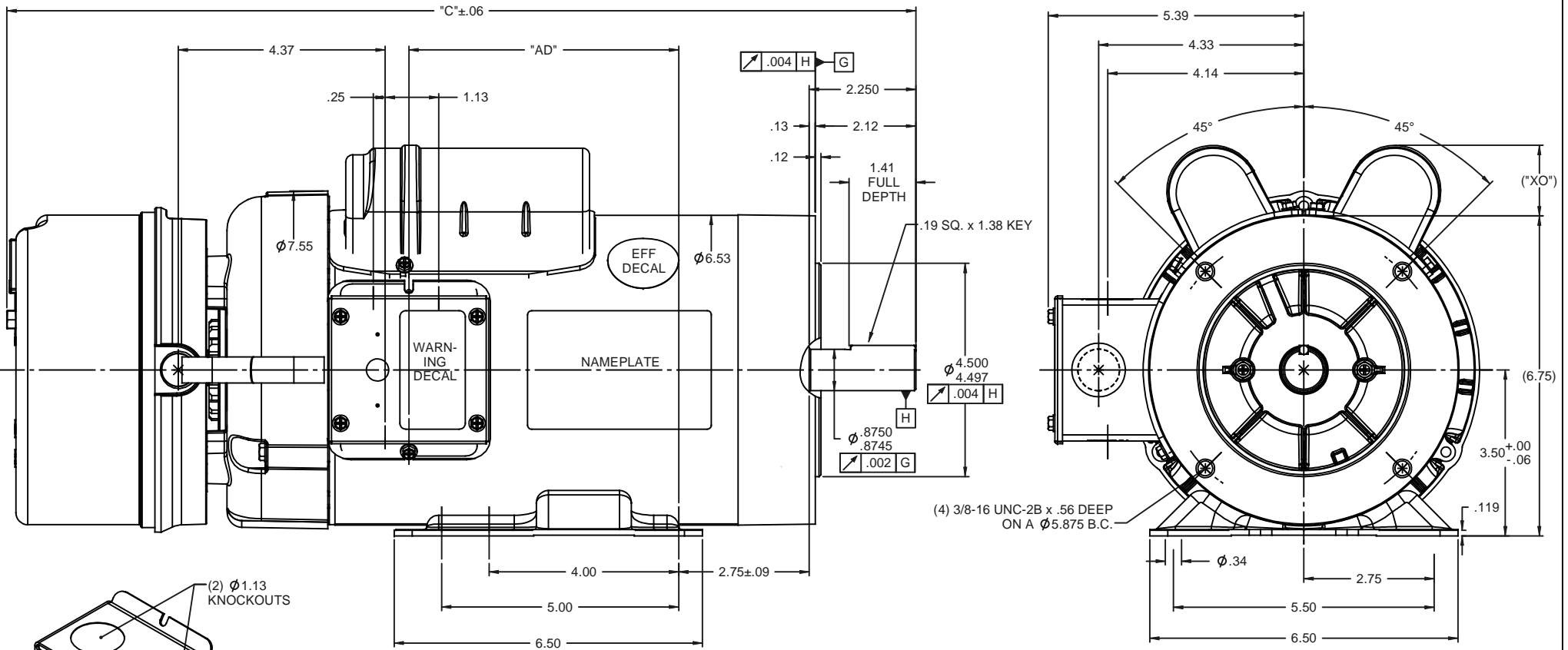


Nameplate Specifications

Output HP	1.50 Hp	Output KW	1.1 kW
Frequency	60 Hz	Voltage	115/208-230 V
Current	17.2/8.8-8.6 A	Speed	1740 rpm
Service Factor	1	Phase	1
Efficiency	79 %	Duty	Continuous
Insulation Class	F	Design Code	L
KVA Code	J	Frame	145TC
Enclosure	Totally Enclosed Fan Cooled	Overload Protector	No
Ambient Temperature	40 °C	Drive End Bearing Size	6205
Opp Drive End Bearing Size	6203	UL	Recognized
CSA	Y	CE	N
IP Code	43		

Technical Specifications

Electrical Type	Capacitor Start Capacitor Run	Starting Method	Across The Line
Poles	4	Rotation	Selective Counterclockwise
Mounting	Rigid base	Motor Orientation	HORIZONTAL
Drive End Bearing	BALL	Opp Drive End Bearing	BALL
Frame Material	Rolled Steel	Shaft Type	T
Overall Length	18.23 in	Frame Length	7.50 in
Shaft Diameter	0.875 in	Shaft Extension	2.25 in
Assembly/Box Mounting	F1 ONLY		
Outline Drawing	028837-750	Connection Diagram	005054.19

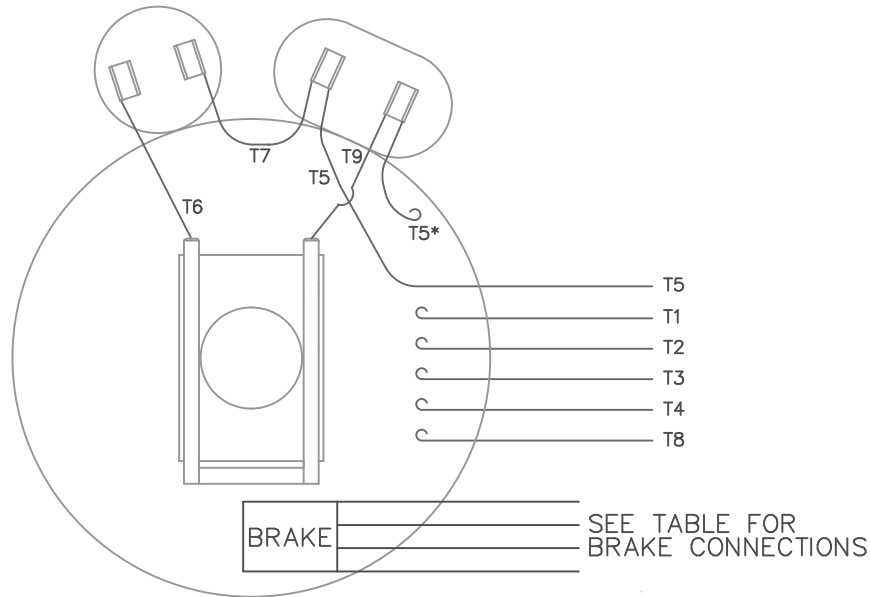


DASH NO.	"C"	"AD"	CAP DASH	"XO"
750	18.23	4.69	A	1.15
800	18.73	5.19	B	1.6
850	19.23	5.69	C	1.82

NOTE:
 1) GASKETS THROUGHOUT

		TOLERANCES UNLESS SPECIFIED		ELECTRIC MOTORS GEARMOTORS AND DRIVES		DRAWN RVD 06/12/2008	
		DEC	INCHES			CHK VS 06/12/2008	
		X	±.1	APPR LST 06/12/2008			
		XX	±.03	SCALE 1:2			
		XXX	±.005	REF 028790/028800			
		XXXX	±.0005	FMF 121816			
NO	REVISION	BY & DATE	CHK ANG ±1/2°	FINISH	PAGE OF		
THIRD ANGLE PROJECTION			RFP	PREV	SIZE B	DRAWING NO	REV
			NETWORK FILE NAME			028837	

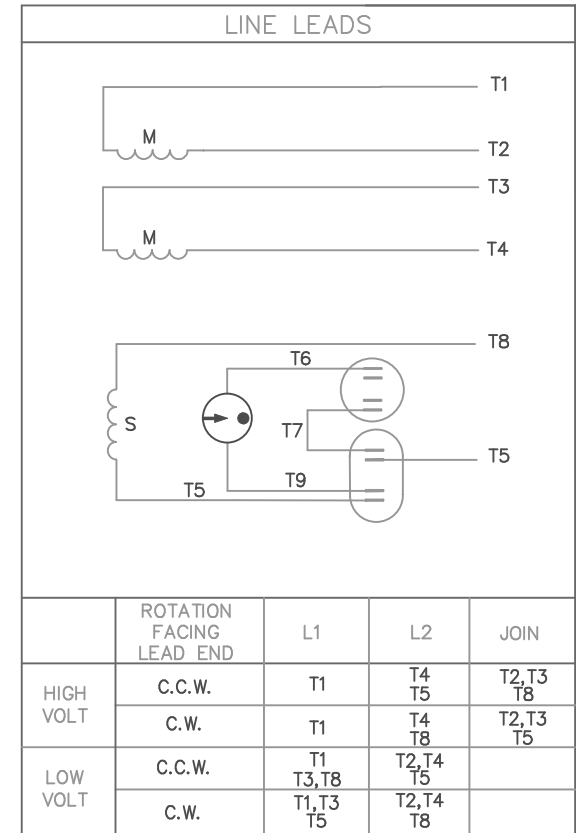
VIEW FROM OUTSIDE OF MOTOR AT SWITCH END.



* THIS LEAD MAY BE WHITE


REF. DECAL (MOTOR) - 004012

REF. DECAL (BRAKE) - 080034 (STEARNS & DINGS BRAKE)



	ROTATION FACING LEAD END	L1	L2	JOIN
HIGH VOLT	C.C.W.	T1	T4 T5	T2, T3 T8
	C.W.	T1	T4 T8	T2, T3 T5
LOW VOLT	C.C.W.	T1 T3, T8	T2, T4 T5	
	C.W.	T1, T3 T5	T2, T4 T8	

VOLTAGE	BRAKE CONNECTION					
	STEARNS BRAKE			DINGS BRAKE		
	L1	L2	JOIN	L1	L2	JOIN
HIGH	1(RED)	2(RED)	3(BLACK) 4(BLACK)	2(BLACK)	4(YELLOW)	1(YELLOW) 3(BLACK)
LOW	1(RED) 3(BLACK)	2(RED) 4(BLACK)	-----	2(BLACK) 3(BLACK)	1(YELLOW) 4(YELLOW)	-----

NO.		REVISION	BY & DATE	CHK	ANG	±1/2'	FINISH	TOLERANCES UNLESS SPECIFIED		 ELECTRIC MOTORS GEARMOTORS AND DRIVES	DRAWN KA 06/04/08	
				DEC.	INCHES				CHK			
				.X	±.1				APPD			
				.XX	±.01		TITLE		SCALE		1=2	
				.XXX	±.005		EXT. WIRING DIAGRAM TYPE "K" W/O PROTECTOR		REF		005010.15	
				.XXXX	±.0005		MAT'L.		FMF		121816	
							DECAL-004012,080034		PREV			
				RFP			CAD FILE	00505419		SIZE	DRAWING NO.	
				DIST	BRF-NLV				A	005054-19		REV.

THIS DRAWING IN DESIGN AND DETAIL IS OUR PROPERTY AND MUST NOT BE USED EXCEPT IN CONNECTION WITH OUR WORK ALL RIGHTS OF DESIGN AND INVENTION ARE RESERVED THIS IS AN ELECTRONICALLY GENERATED DOCUMENT - DO NOT SCALE THIS PRINT



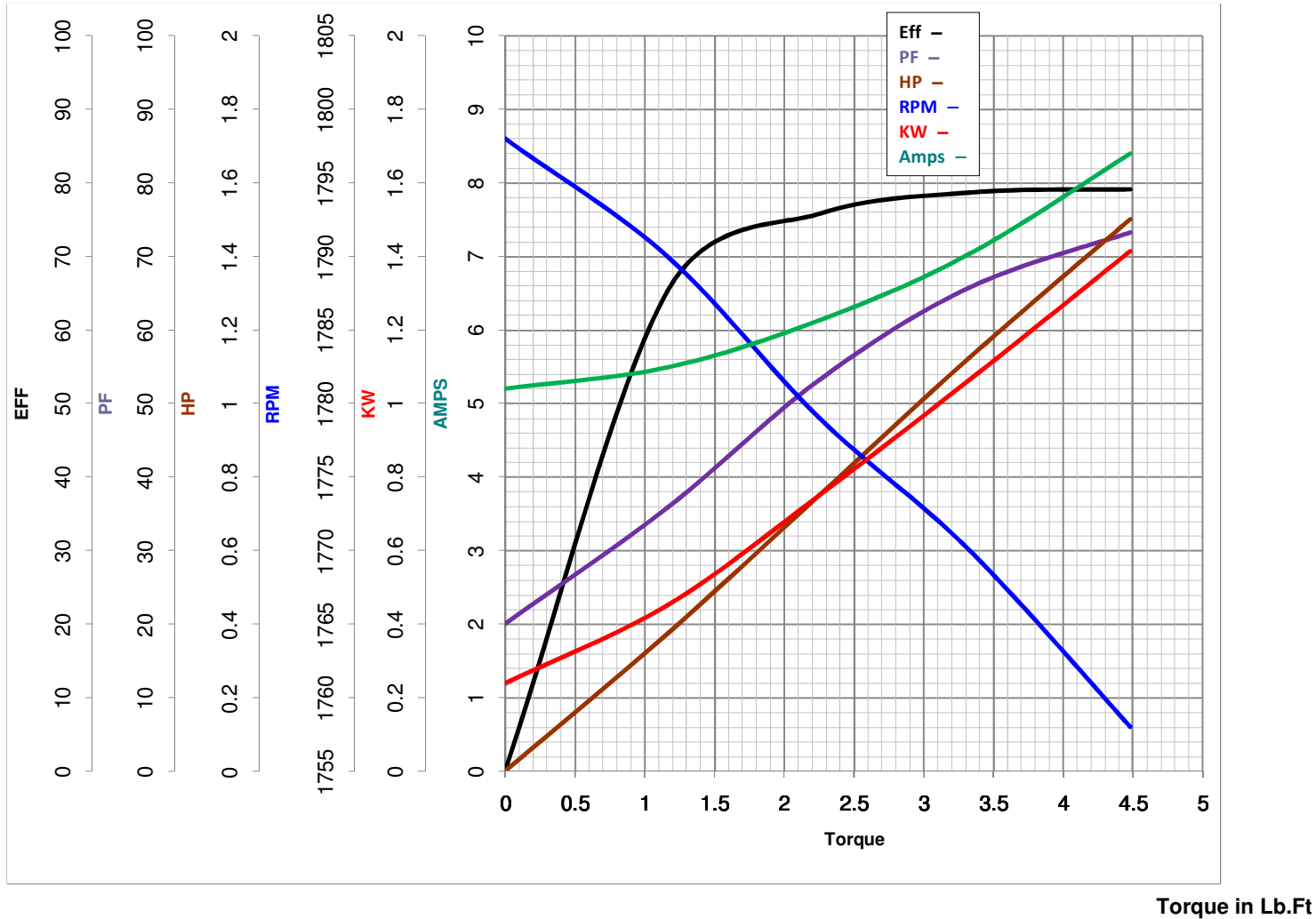
LEESON ELECTRIC CORPORATION
 TYPICAL PERFORMANCE CURVE for AC MOTOR

Model No 121815.00

Curve at 230 Volts HP 1.50 PHASE 1
60 HZ
1.5 HP VOLTS 115/208-230

Catalog No 121815.00

HZ 60 RPM 1740



FL TORQUE 4.48 Lb.Ft
 BD TORQUE 10.8 Lb.Ft
 LR TORQUE 13 Lb.Ft

FL AMPS 17.2/8.8-8.6
 PU TORQUE 9.3 Lb.Ft
 LR AMPS 51

WINDING K634278-3

Date 3/26/2018