

# PRODUCT INFORMATION PACKET



Model No: A4P17NB28E

Catalog No: 101253.00

1/3HP..1750RPM.48.TENV.115/208-230V.1PH.60HZ.AIROVER.AUTOMATIC.40C.1.0SF.RIGID.AG - FAN & BLOWER.A4P17NB28E

Agricultural



Regal and Leeson are trademarks of Regal Beloit Corporation or one of its affiliated companies.

©2018 Regal Beloit Corporation, All Rights Reserved. MC017097E





### Nameplate Specifications

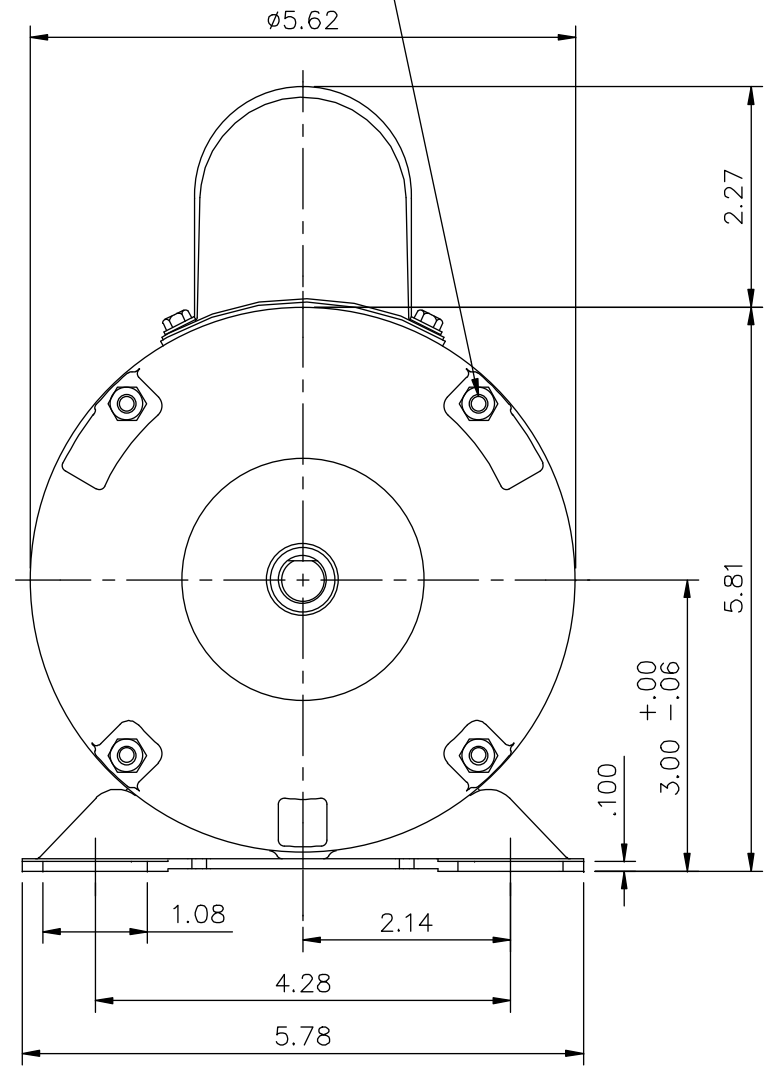
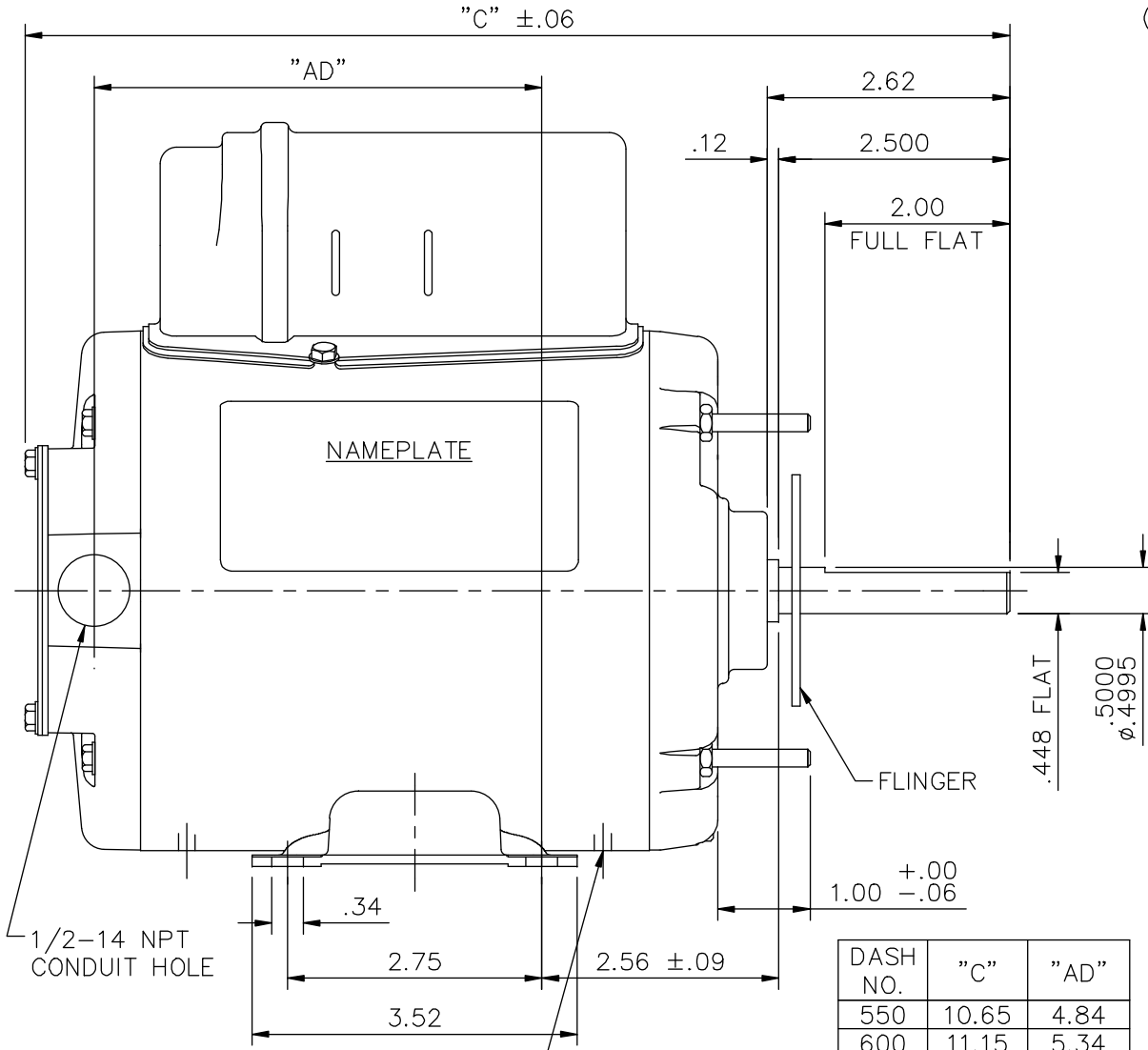
Output HP	<b>0.33 Hp</b>	Output KW	<b>0.25 kW</b>
Frequency	<b>60 Hz</b>	Voltage	<b>115/208-230 V</b>
Current	<b>3.8/1.9 A</b>	Speed	<b>1750 rpm</b>
Service Factor	<b>1</b>	Phase	<b>1</b>
Efficiency	<b>68 %</b>	Duty	<b>Continuous</b>
Insulation Class	<b>B</b>	Design Code	<b>N</b>
KVA Code	<b>D</b>	Frame	<b>48Y</b>
Enclosure	<b>Totally Enclosed Air Over</b>	Overload Protector	<b>Automatic</b>
Ambient Temperature	<b>40 °C</b>	Drive End Bearing Size	<b>6203</b>
Opp Drive End Bearing Size	<b>6203</b>	UL	<b>Recognized</b>
CSA	<b>Y</b>	CE	<b>N</b>
IP Code	<b>43</b>		

### Technical Specifications

Electrical Type	<b>Permanent Split Capacitor</b>	Starting Method	<b>Across The Line</b>
Poles	<b>4</b>	Rotation	<b>Selective Counterclockwise</b>
Mounting	<b>Rigid base</b>	Motor Orientation	<b>HORIZONTAL</b>
Drive End Bearing	<b>BALL</b>	Opp Drive End Bearing	<b>BALL</b>
Frame Material	<b>Rolled Steel</b>	Shaft Type	<b>Single Special Extension</b>
Overall Length	<b>10.65 in</b>	Frame Length	<b>5.50 in</b>
Shaft Diameter	<b>0.500 in</b>	Shaft Extension	<b>2.5 in</b>
Assembly/Box Mounting	<b>F1 ONLY</b>		
Outline Drawing	<b>031707-550</b>	Connection Diagram	<b>A-005109-15</b>

031707

10-32 UNF 2A THRU BOLTS  
(4) REQ'D. ON A Ø5.125 B.C.



DASH NO.	"C"	"AD"
550	10.65	4.84
600	11.15	5.34
625	11.40	5.59
650	11.65	5.84
700	12.15	6.34



ELECTRIC MOTORS  
GEARMOTORS  
AND DRIVES

DRAWN	PG 7/24/02
CHK	
APPD	
SCALE	1=2
REF	030986
FMF	100700.00
PREV	

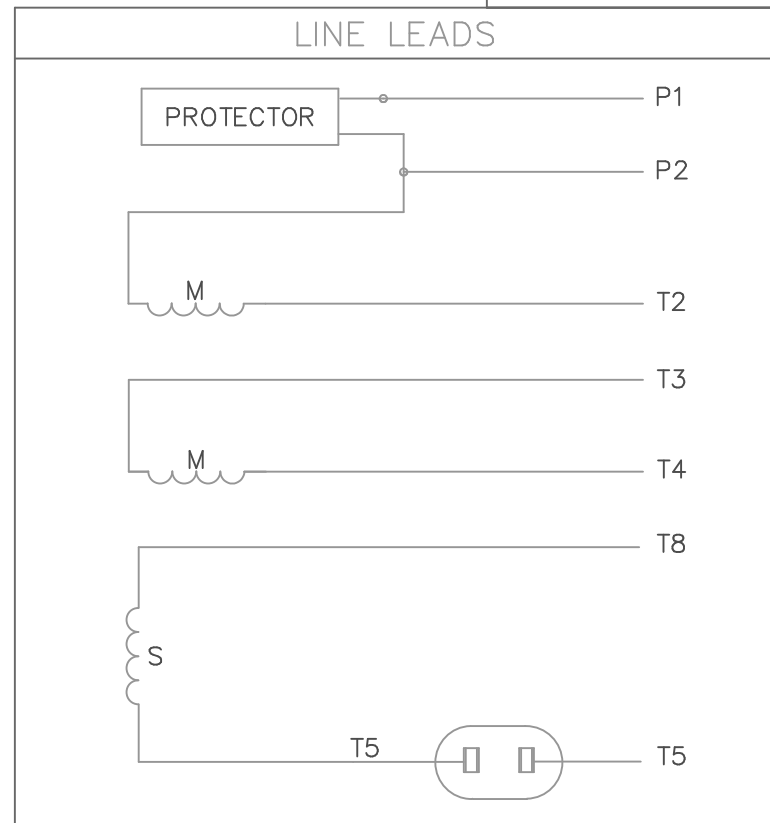
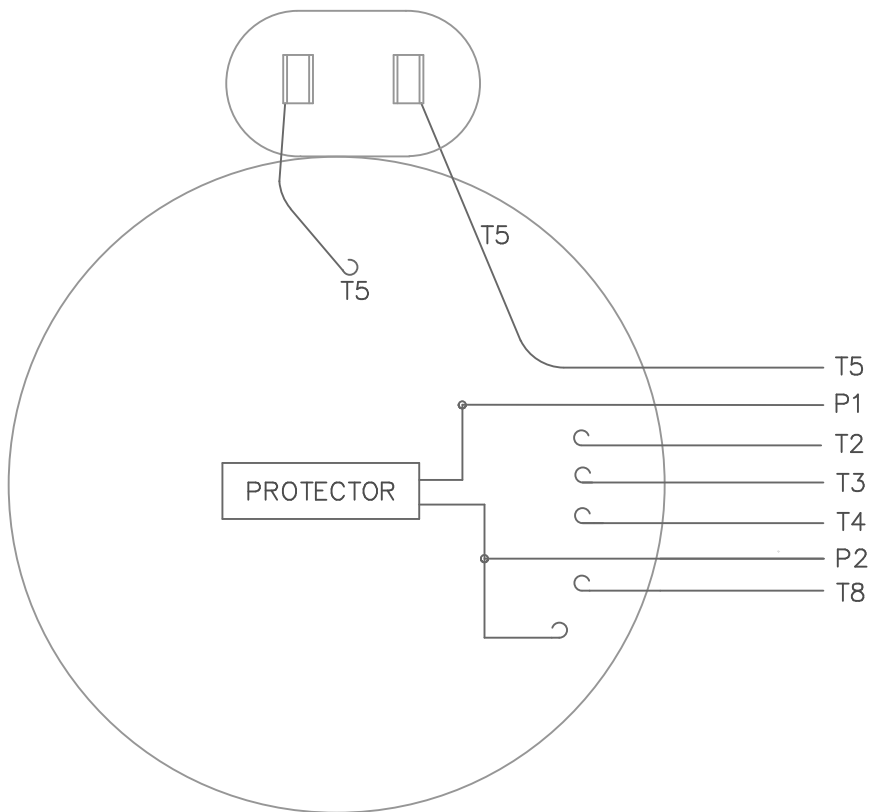
TITLE  
OUTLINE - 48Y FRAME  
RIGID MOUNT - ENCLOSED

NO.	REVISION	BY & DATE	CHK	TOLERANCES UNLESS SPECIFIED		FINISH
				DEC.	INCHES	
				.X	±.1	
				.XX	±.03	
				.XXX	±.005	
				.XXXX	±.0005	
				ANG	±1/2'	


THIS DRAWING IN DESIGN AND DETAIL IS OUR PROPERTY AND MUST NOT BE USED EXCEPT IN CONNECTION WITH OUR WORK ALL RIGHTS OF DESIGN AND INVENTION ARE RESERVED THIS IS AN ELECTRONICALLY GENERATED DOCUMENT - DO NOT SCALE THIS PRINT

RFP	CAD FILE	031707	SIZE	DRAWING NO.	REV.
DIST			A	031707	

VIEW FROM OUTSIDE OF MOTOR AT SWITCH END.



	ROTATION FACING LEAD END	L1	L2	JOIN	INSULATE SEPARATELY
HIGH VOLT	C.C.W.	P1	T4 T5	T2,T3 T8	P2
	C.W.	P1	T4 T8	T2,T3 T5	P2
LOW VOLT	C.C.W.	P1	T2,T4 T5	P2,T3 T8	--
	C.W.	P1	T2,T4 T8	P2,T3 T5	--

		TOLERANCES UNLESS SPECIFIED		 ELECTRIC MOTORS GEARMOTORS AND DRIVES		DRAWN PG 3/4/02		
		DEC.	INCHES			CHK		
		.X	±.1			APPD		
		.XX	±.01			SCALE 1=1		
		.XXX	±.005			REF 005109-01		
		.XXXX	±.0005	MAT'L. DECAL - 004011		FMF 102675		
NO.	REVISION	BY & DATE	CHK	ANG	±1/2'	FINISH	PREV	
THIS DRAWING IN DESIGN AND DETAIL IS OUR PROPERTY AND MUST NOT BE USED EXCEPT IN CONNECTION WITH OUR WORK ALL RIGHTS OF DESIGN AND INVENTION ARE RESERVED THIS IS AN ELECTRONICALLY GENERATED DOCUMENT - DO NOT SCALE THIS PRINT			RFP	CAD FILE 00510915		SIZE	DRAWING NO.	REV.
			DIST			A	005109-15	



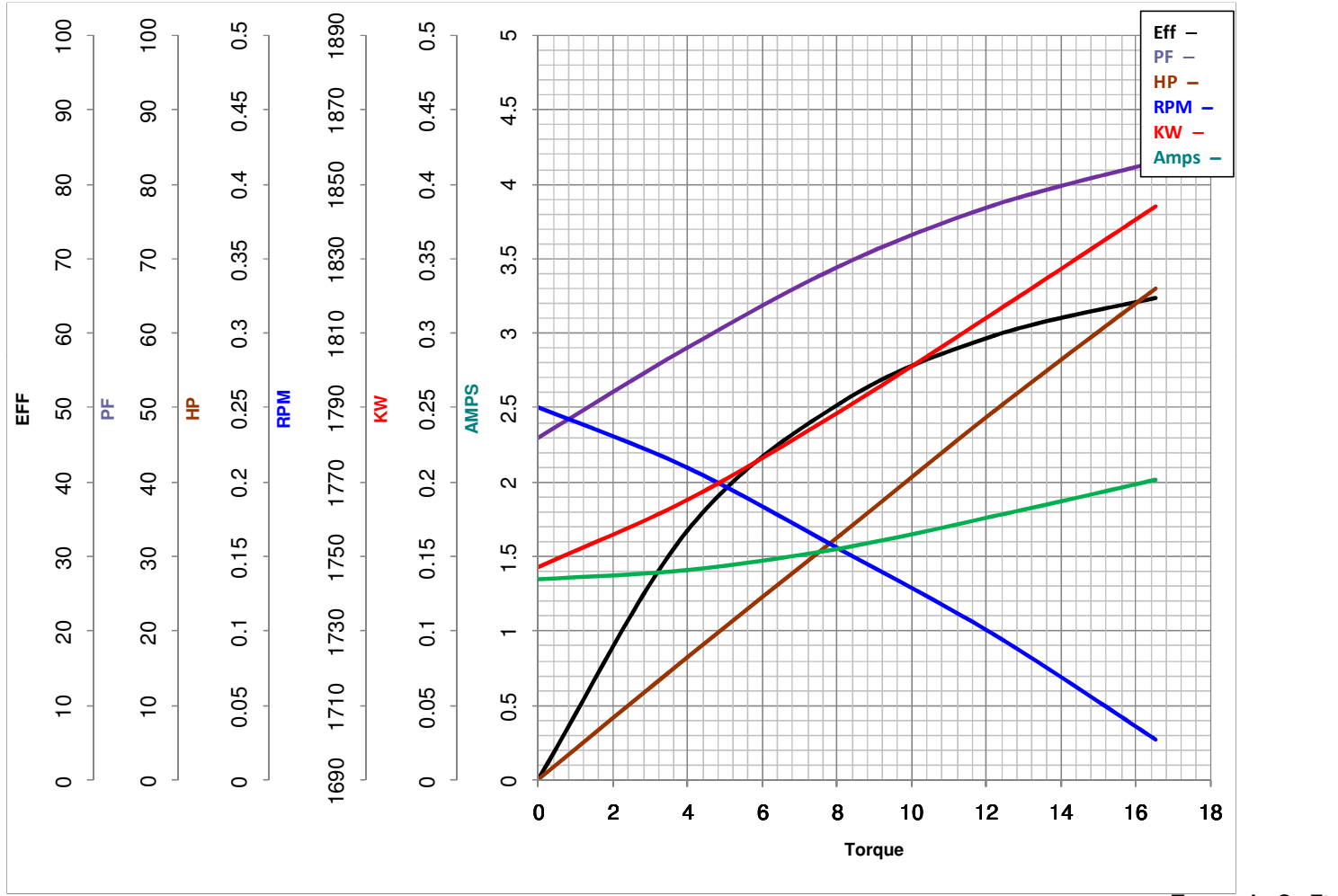
**LEESON ELECTRIC CORPORATION**  
 TYPICAL PERFORMANCE CURVE for AC MOTOR

Model No 101253.00

Catalog No 101253.00

Curve at 230 Volts      HP 0.34      PHASE 1  
60 HZ  
0.33 HP      VOLTS 115/208-230

HZ 60      RPM 1750



<b>FL TORQUE</b>	<u>16.51</u> Oz.Ft	<b>FL AMPS</b>	<u>3.8/1.9</u>
<b>BD TORQUE</b>	<u>40.5</u> Oz.Ft	<b>PU TORQUE</b>	<u>9.8</u> Oz.Ft
<b>LR TORQUE</b>	<u>10.96</u> Oz.Ft	<b>LR AMPS</b>	<u>7.5</u>
<b>WINDING</b>	PE484458-3	<b>Date</b>	<u>3/13/2018</u>