

PRODUCT INFORMATION PACKET



Model No: A4P11NZ79A

Catalog No: 103722.00

..1/2HP..1200RPM.48Y.TEAO.115V.1PH.60HZ.CONT.40C.1.0SF.YOKE.....FAN.....

Pedestal Fan



Regal and Leeson are trademarks of Regal Beloit Corporation or one of its affiliated companies.

©2018 Regal Beloit Corporation, All Rights Reserved. MC017097E





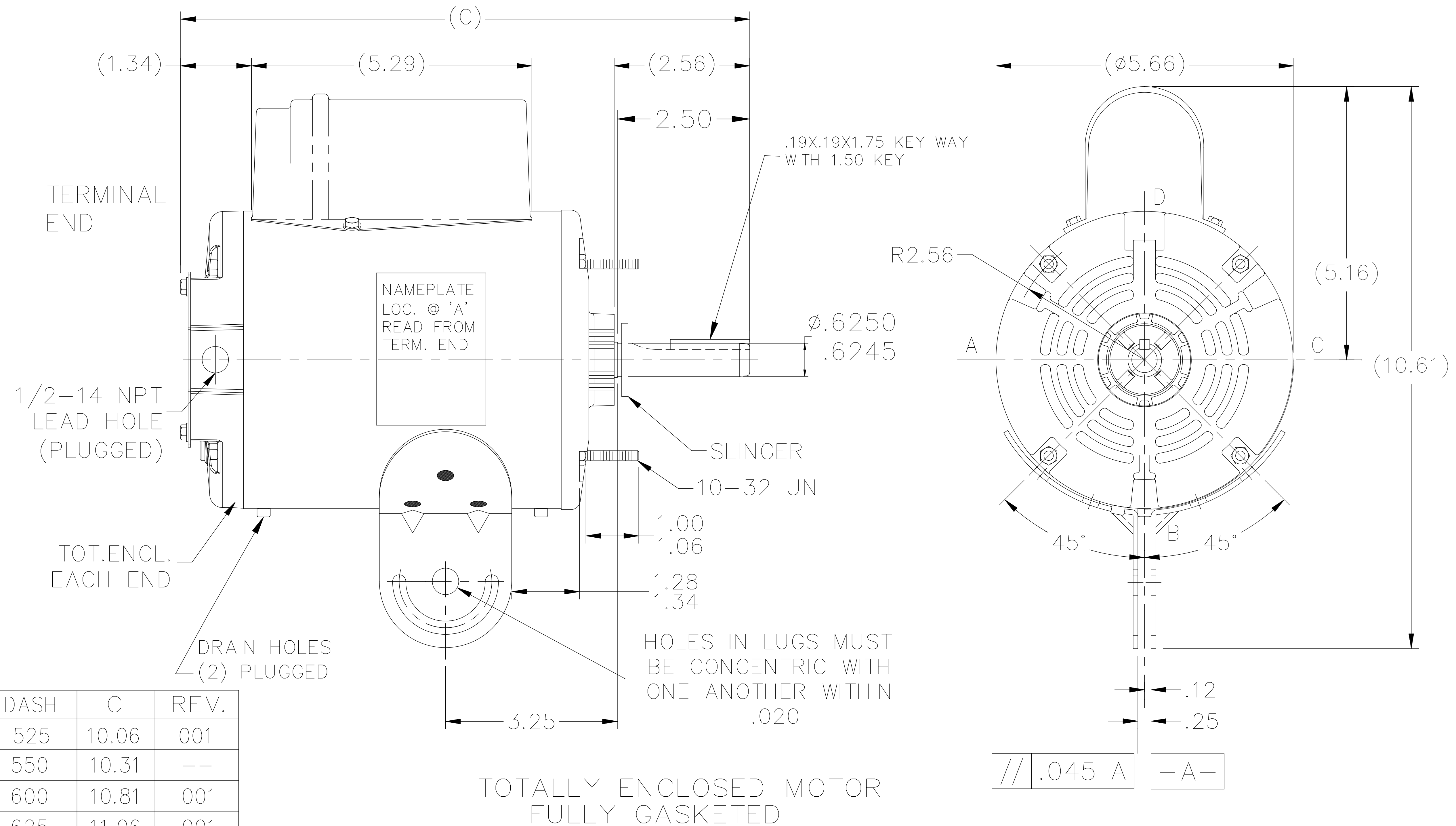
Nameplate Specifications

Output HP	0.50 Hp	Output KW	0.37 kW
Frequency	60 Hz	Voltage	115 V
Current	5.7 A	Speed	1075 rpm
Service Factor	1	Phase	1
Efficiency	64 %	Duty	Continuous
Insulation Class	B	Design Code	N
KVA Code	C	Frame	48Y
Enclosure	Totally Enclosed Air Over	Overload Protector	Automatic Lock Rotor Only
Ambient Temperature	40 °C	Drive End Bearing Size	6203
Opp Drive End Bearing Size	6203	UL	Recognized
CSA	Y	CE	N
IP Code	43		

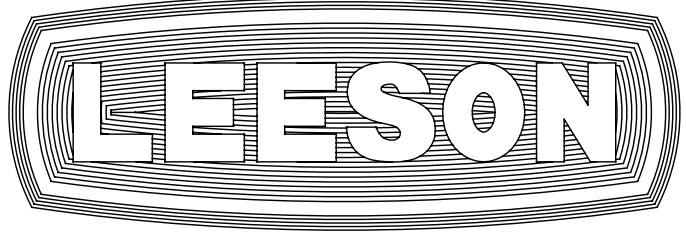
Technical Specifications

Electrical Type	Permanent Split Capacitor	Starting Method	Across The Line
Poles	6	Rotation	Selective Counterclockwise
Mounting	Round - Swing Arm	Motor Orientation	HORIZONTAL
Drive End Bearing	BALL	Opp Drive End Bearing	BALL
Frame Material	Rolled Steel	Shaft Type	Single Special Extension
Overall Length	11.06 in	Frame Length	6.25 in
Shaft Diameter	0.625 in	Shaft Extension	2.56 in
Assembly/Box Mounting	F1 ONLY		
Outline Drawing	A-SS403995LE-625	Connection Diagram	A-005532-01

SS403995LE



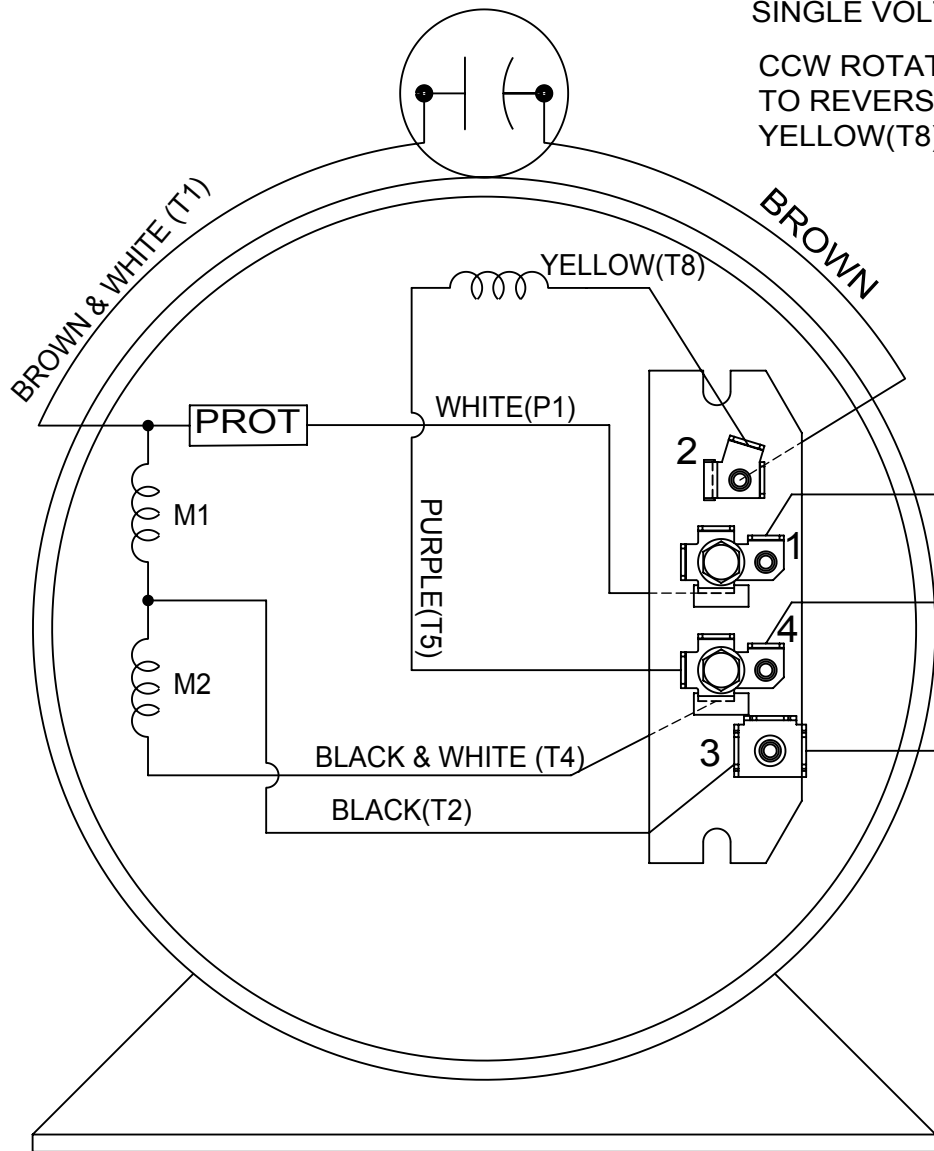
DASH	C	REV.
525	10.06	001
550	10.31	--
600	10.81	001
625	11.06	001

		TOLERANCES UNLESS SPECIFIED		 ELECTRIC MOTORS GEARMOTORS AND DRIVES	DRAWN SVL 1-11-2012
		DEC.	INCHES		CHK
		.X	±	TITLE OUTLINE 48 FR. MAT'L. FINISH	APPD SVL 1-11-2012
		.XX	±.03		SCALE 3=8
		.XXX	±.005		REF SS403994LE
		.XXXX	±.0005		FMF MU111579
C	1.00/1.06 WAS .94/1.00 ECR 0107818	GWS	8/16/16		PREV
NO.	REVISION	BY & DATE	CHK	ANG ±7'30"	
THIS DRAWING IN DESIGN AND DETAIL IS OUR PROPERTY AND MUST NOT BE USED EXCEPT IN CONNECTION WITH OUR WORK ALL RIGHTS OF DESIGN AND INVENTION ARE RESERVED THIS IS AN ELECTRONICALLY GENERATED DOCUMENT - DO NOT SCALE THIS PRINT				RFP 1-11-2012	CAD FILE SS403995LE
				DIST WP	SIZE A
					DRAWING NO. PAGE 1 OF 1
					SS403995LE
					REV. C

Uncontrolled Copy

SINGLE VOLTAGE DUAL SPEED

CCW ROTATION, LEAD END, SHOWN
TO REVERSE INTERCHANGE
YELLOW(T8) AND PURPLE(T5) LEADS.



VIEW OF TERMINAL END

LOW SPEED

BROWN — 2
YELLOW(T8) — 2

WHITE(P1) — 1

PURPLE(T5) — 4
BLACK & WHITE(T4) — 4

BLACK(T2) — 3

HIGH SPEED

BROWN — 2
YELLOW(T8) — 2

WHITE(P1) — 1

PURPLE(T5) — 4
BLACK & WHITE(T4) — 4

BLACK(T2) — 3

LINE

LINE LO SPD

LINE HI SPD

LINE

LINE

LINE

LINE

NOTE: USE T & P MARKINGS WHEN CALLED IN BOM

DRAWING REVISION E	REVISION BY PST	DATE 06/09/2014	TOLERANCES UNLESS OTHERWISE SPECIFIED:		DRAWN BY VJB	Regal Beloit America, Inc.
ECO ECO-0053118	APPROVED BY SKM	DATE 06/09/2014	DEC.	INCH	mm	
ECO DESCRIPTION ADDED T & P MARKINGS			.X	±0.1	[±2.5]	±0.5°
COPYRIGHT REGAL BELOIT AMERICA, INC. ALL RIGHTS RESERVED. PROPRIETARY AND CONFIDENTIAL INFORMATION - THIS DOCUMENT IS THE PROPERTY OF REGAL BELOIT AMERICA, INC. ("OWNER") AND CONTAINS OWNER'S PROPRIETARY INFORMATION. ANY PERSON, CORPORATION OR OTHER FIRM RECEIVING IT IS DEEMED, BY RECEIVING IT, TO AGREE THAT IT, AND/OR ANY PART OF IT, SHALL NOT BE DISCLOSED TO ANY PERSON, CORPORATION OR OTHER ENTITY, DUPLICATED, AND/OR USED, EXCEPT AS EXPRESSLY APPROVED IN WRITING IN ADVANCE BY OWNER. THIS DOCUMENT SHALL BE RETURNED TO OWNER UPON REQUEST. IT MAY BE SUBJECT TO CERTAIN RESTRICTIONS UNDER APPLICABLE EXPORT CONTROL LAWS AND REGULATIONS.			.XX	±0.01	[±0.25]	
			.XXX	±0.005	[±0.127]	
			.XXXX	±0.0005	[±0.0127]	
			REMOVE BURRS & BREAK SHARP			
			EDGES: .003/.015 [.076/.381]			
			CORNER FILLETS: .02 [.51]			
			MACHINED SURFACES: 125 / mm 3.2 / INCH			
			mm SHOWN IN [BRACKETS]			
			THIRD ANGLE PROJECTION			SIZE A
			DRAWING NUMBER		00553201	
			PROCESS/FINISH		SHEET 1 OF 1	

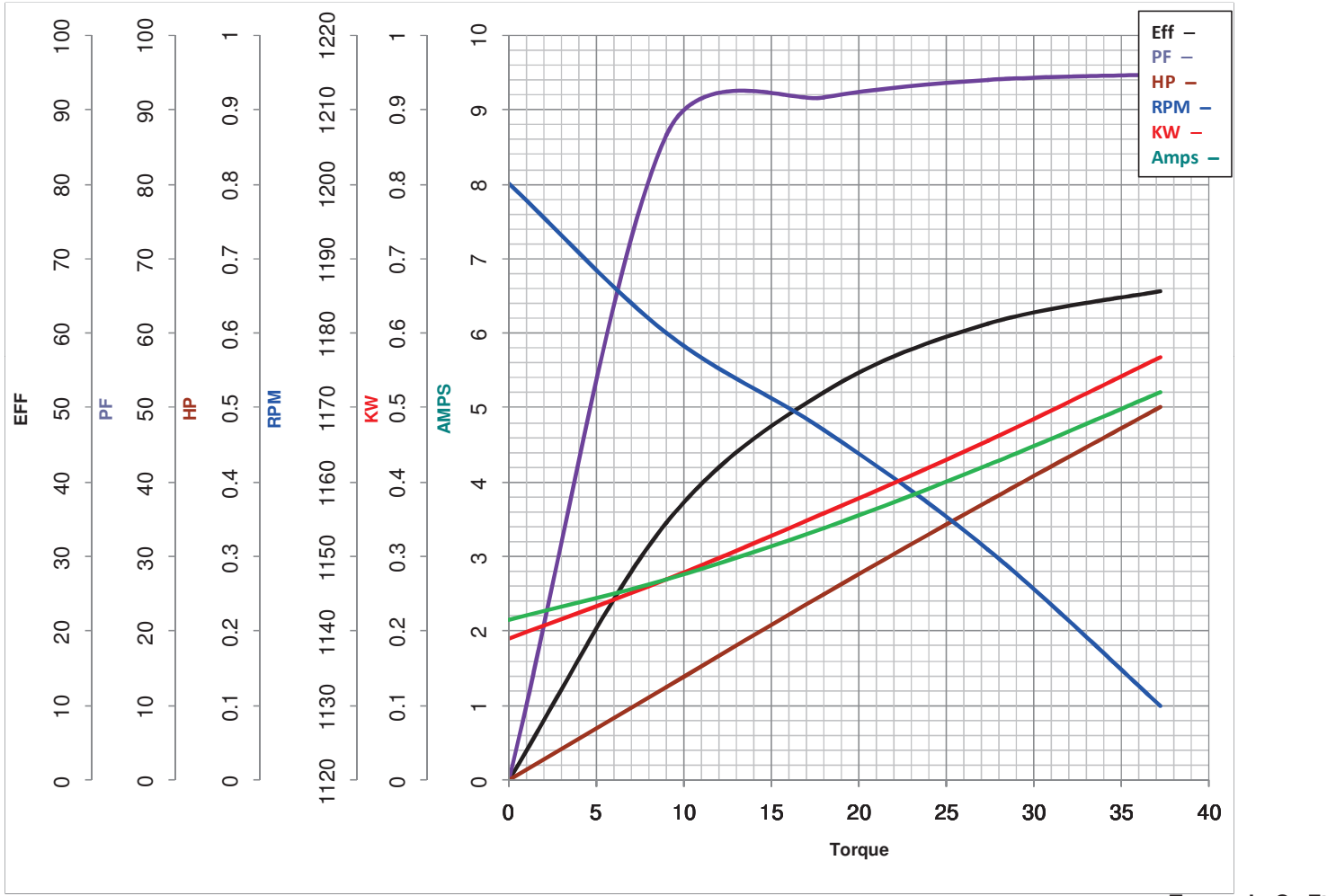


LEESON ELECTRIC CORPORATION
 TYPICAL PERFORMANCE CURVE for AC MOTOR

Model No 103722.00

Catalog No 103722.00

Curve at 115 Volts HP 0.50 PHASE 1
60 HZ
0.5 HP VOLTS 115
 HZ 60 RPM 1075



FL TORQUE	<u>37.2</u>	Oz.Ft	FL AMPS	<u>5.7</u>	
BD TORQUE	<u>66.6</u>	Oz.Ft	PU TORQUE	<u>15.0</u>	Oz.Ft
LR TORQUE	<u>0</u>	Oz.Ft	LR AMPS	<u>17</u>	
WINDING	PE4861981-1		Date	<u>4/23/2018</u>	

Uncontrolled Copy