

PRODUCT INFORMATION PACKET



Model No: A4K17DR14A

Catalog No: A090602.00

A090602.00...25HP..1725RPM.48C.DP.115V.1PH.60HZ.CONT.40C.1.35SF.RESILIENT BASE.....
Belt Drive



Regal and Leeson are trademarks of Regal Beloit Corporation or one of its affiliated companies.

©2018 Regal Beloit Corporation, All Rights Reserved. MC017097E





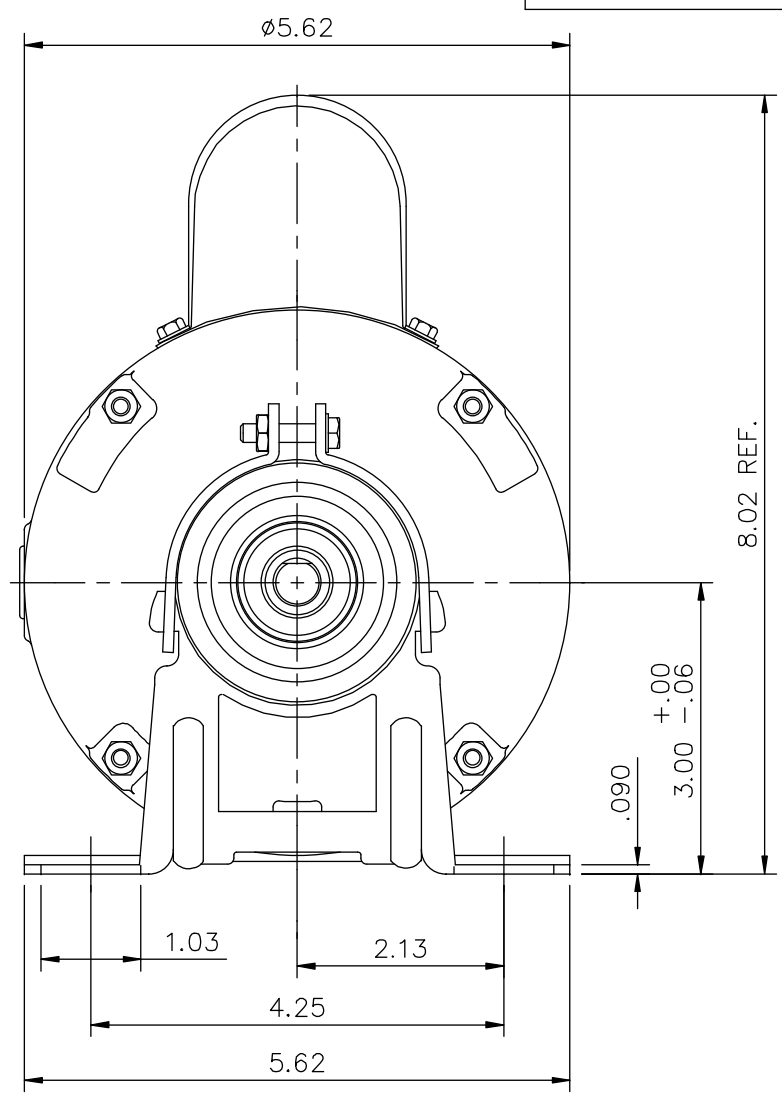
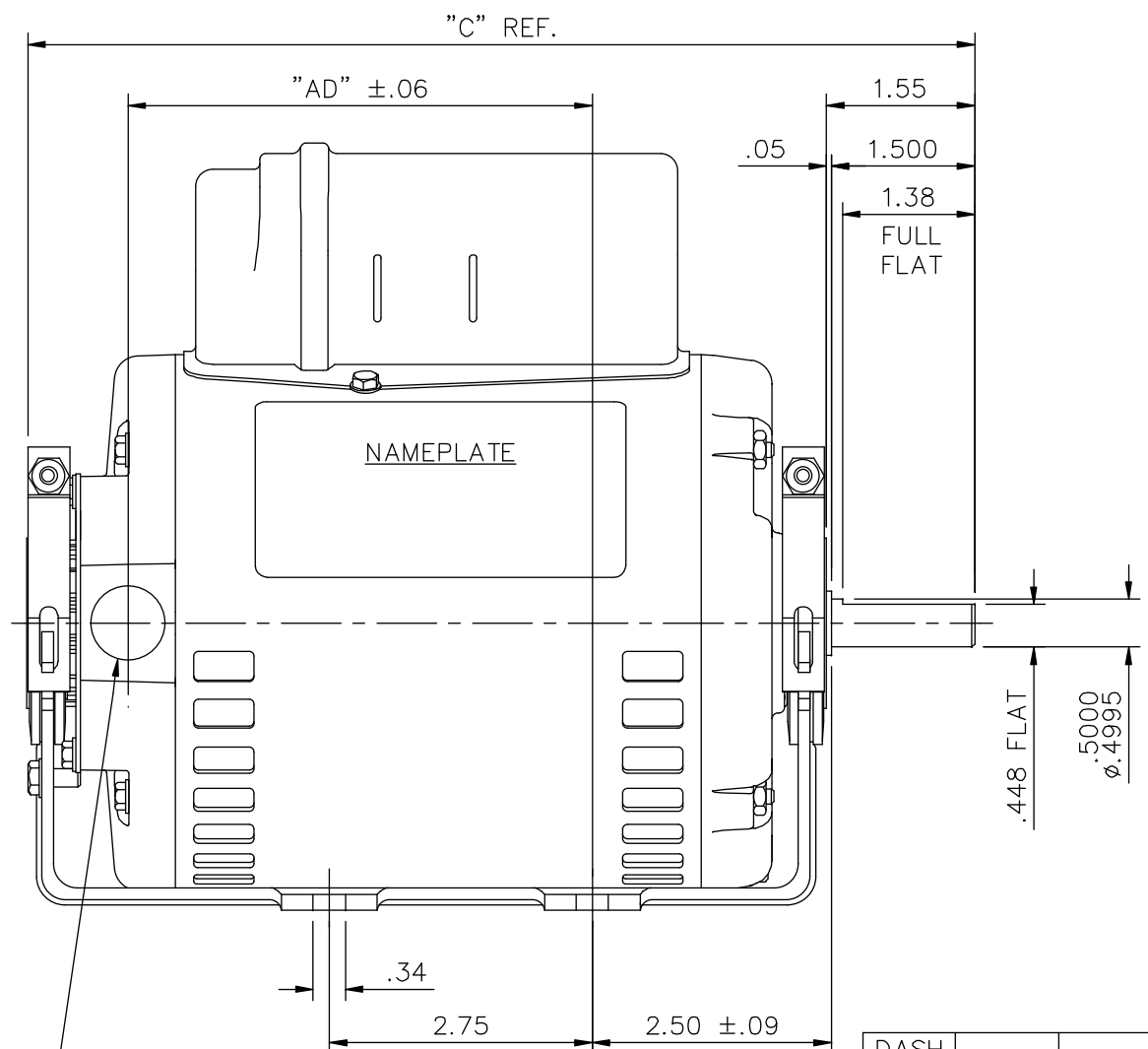
Nameplate Specifications

Output HP	0.25 Hp	Output KW	0.19 kW
Frequency	60 Hz	Voltage	115 V
Current	2.4 A	Speed	1725 rpm
Service Factor	1.35	Phase	1
Efficiency	71.1 %	Duty	Continuous
Insulation Class	B	Design Code	N
KVA Code	M	Frame	48
Enclosure	Drip Proof	Overload Protector	Automatic
Ambient Temperature	40 °C	Drive End Bearing Size	6203
Opp Drive End Bearing Size	6203	UL	Recognized
CSA	Y	CE	N
IP Code	22		

Technical Specifications

Electrical Type	Split Phase Start Capacitor Run	Starting Method	Across The Line
Poles	4	Rotation	Selective Counterclockwise
Mounting	Resilient Base	Motor Orientation	HORIZONTAL
Drive End Bearing	BALL	Opp Drive End Bearing	BALL
Frame Material	Rolled Steel	Shaft Type	T
Overall Length	10.39 in	Frame Length	6.00 in
Shaft Diameter	0.500 in	Shaft Extension	1.5 in
Assembly/Box Mounting	F1 ONLY		
Outline Drawing	A-SS404049-600	Connection Diagram	A-005326-02

SS404049



DASH NO.	"C"	"AD"
550	9.89	4.84
575	10.14	5.09
600	10.39	5.34
650	10.89	5.84



ELECTRIC MOTORS
GEARMOTORS
AND DRIVES

DRAWN	PST 11/27/13
CHK	SM 11/27/13
APPD	
SCALE	1:1
REF	031760
FMF	A090602.00
PREV	

TITLE
OUTLINE - 48 FRAME
RESILIENT MOUNT - DRIP PROOF

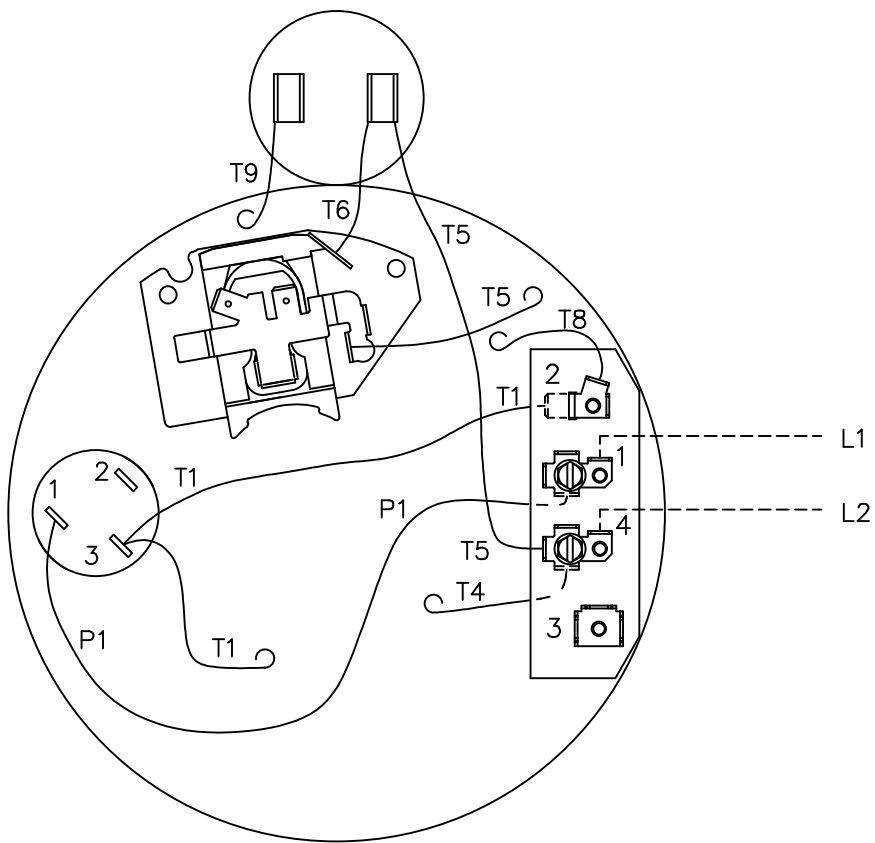
MAT'L.
1 PHASE

FINISH
STANDARD

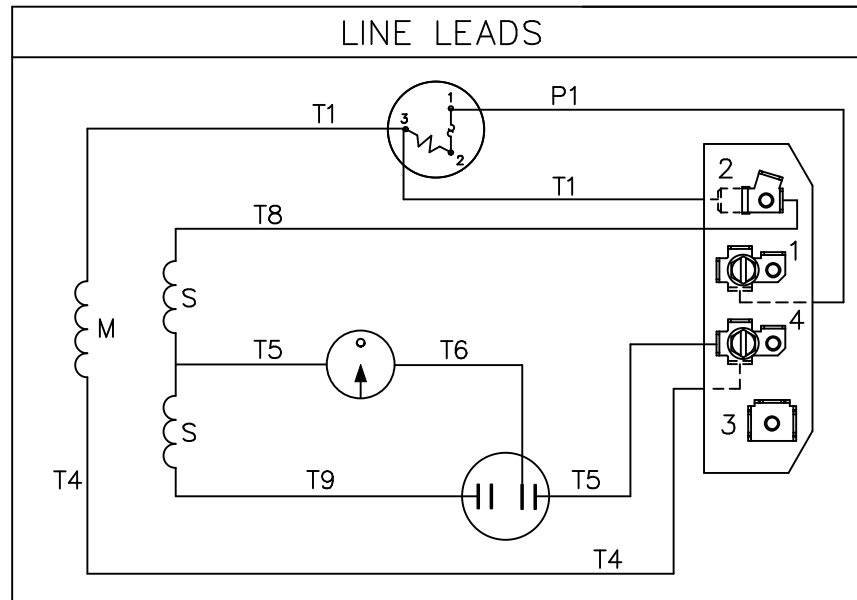
NO.	REVISION	BY & DATE	CHK	TOLERANCES UNLESS SPECIFIED		RFP	CAD FILE	SIZE	DRAWING NO.	REV.
				DEC.	INCHES					
				.X	±.1			A	SS404049	
				.XX	±.03					
				.XXX	±.005					
				.XXXX	±.0005					
				ANG	±1/2'					
				DIST						

THIS DRAWING IN DESIGN AND DETAIL IS OUR PROPERTY AND MUST NOT BE USED EXCEPT IN CONNECTION WITH OUR WORK ALL RIGHTS OF DESIGN AND INVENTION ARE RESERVED THIS IS AN ELECTRONICALLY GENERATED DOCUMENT - DO NOT SCALE THIS PRINT

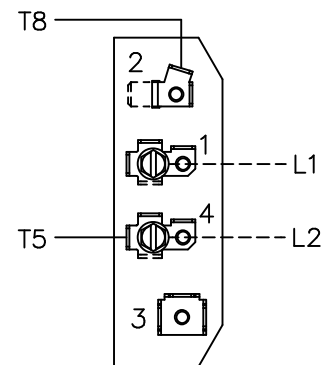
VIEW FROM OUTSIDE OF MOTOR AT SWITCH END.



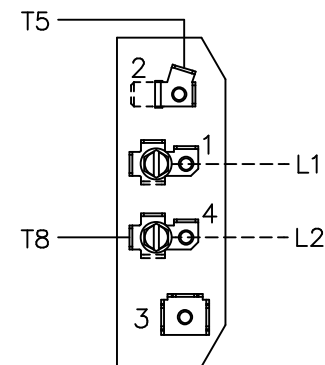
P1, T1, T4 TO GO TO
BACK SIDE OF TERMINAL BOARD



C.C.W.L.E. ROTATION



C.W.L.E. ROTATION



		TOLERANCES UNLESS SPECIFIED	
		DEC.	INCHES
		.X	±.1
		.XX	±.01
		.XXX	±.005
		.XXXX	±.0005
NO.	REVISION	BY & DATE	CHK

	ELECTRIC MOTORS GEARMOTORS AND DRIVES	DRAWN PG 2/23/04
		CHK
		APPD
	TITLE EXTERNAL WIRING DIAGRAM TYPE "K" W/PROTECTOR	SCALE 1=1
	MAT'L. SINGLE VOLTAGE - DUAL ROTATION	REF 005326-01
FINISH		FMF 101405.00
		PREV

THIS DRAWING IN DESIGN AND DETAIL IS OUR PROPERTY AND MUST NOT BE USED EXCEPT IN CONNECTION WITH OUR WORK ALL RIGHTS OF DESIGN AND INVENTION ARE RESERVED THIS IS AN ELECTRONICALLY GENERATED DOCUMENT - DO NOT SCALE THIS PRINT		RFP	CAD FILE	00532602	SIZE	DRAWING NO.	REV.
		DIST			A	005326-02	

```
ERROR: undefined  
OFFENDING COMMAND: de
```

```
STACK:
```

```
{/@FL --where-- --not-- {--pop-- --end-- --end-- } {--pop-- } --ifelse-- }  
/suspend  
-dictionary-  
/pscript_WinNT_Compact  
-dictionary-
```

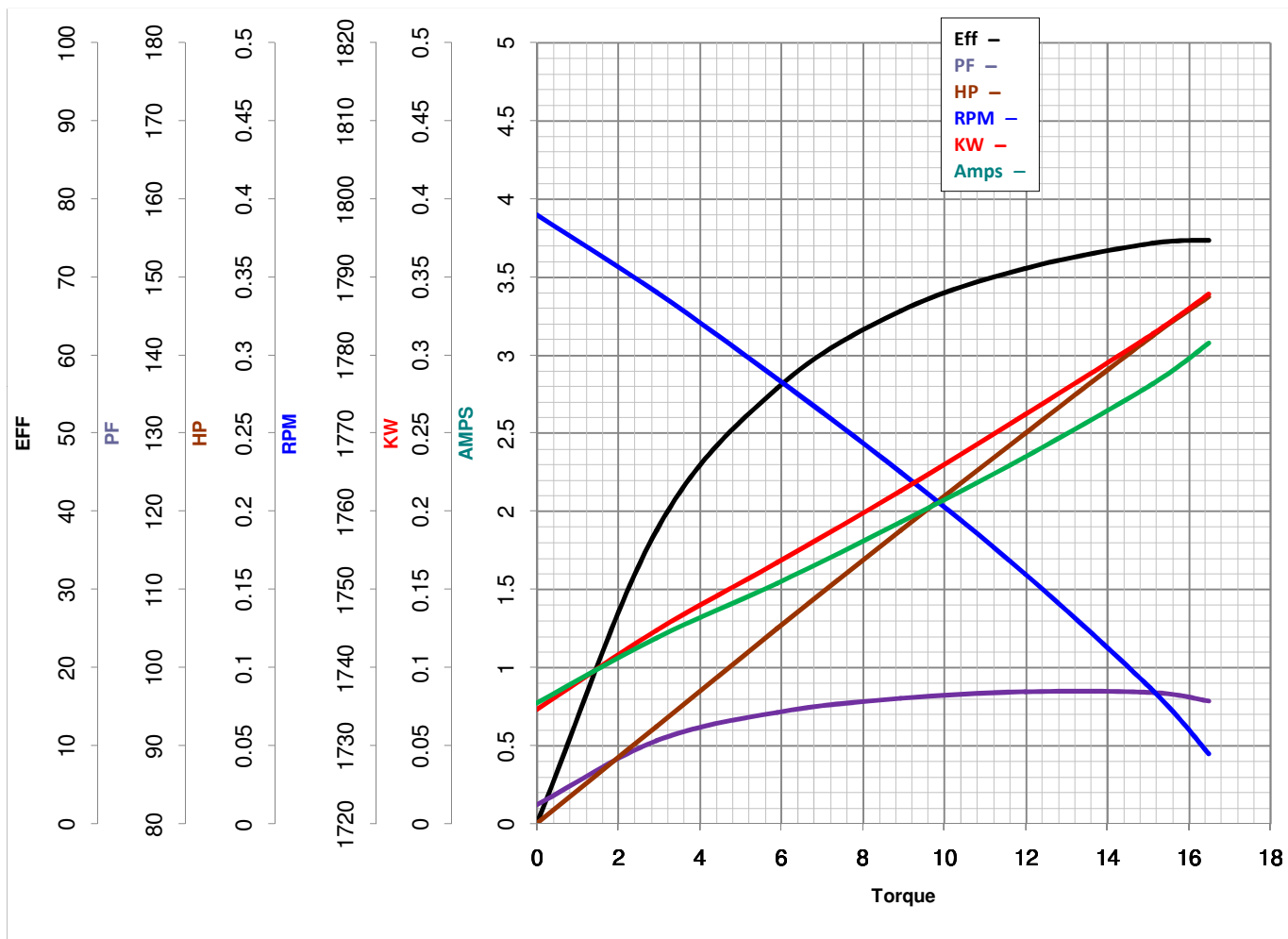


LEESON ELECTRIC CORPORATION
 TYPICAL PERFORMANCE CURVE for AC MOTOR

Model No A090602.00

Catalog No A090602.00

Curve at 115 Volts HP 0.26 PHASE 1
60 HZ
0.25 HP VOLTS 115
 HZ 60 RPM 1725



Torque in Oz.Ft

FL TORQUE 11.98 Oz.Ft
 BD TORQUE 32.7 Oz.Ft
 LR TORQUE 20.8 Oz.Ft

FL AMPS 2.35
 PU TORQUE 17.7 Oz.Ft
 LR AMPS 22.9

WINDING BE48469-1

Date 3/26/2018