

PRODUCT INFORMATION PACKET



Model No: M6K17FB37G

Catalog No: 113769.00

..1 1/2HP..1725RPM.56H.TEFC.115/208-230V.1PH.60HZ.CONT.40C.1.15SF.RIGID.M6K17FB37G.....AG -
FARM DUTY/GENERAL PURPOSE.MANUAL.....

Totally Enclosed Fan Cooled (TEFC)



Regal and Leeson are trademarks of Regal Beloit Corporation or one of its affiliated companies.

©2018 Regal Beloit Corporation, All Rights Reserved. MC017097E



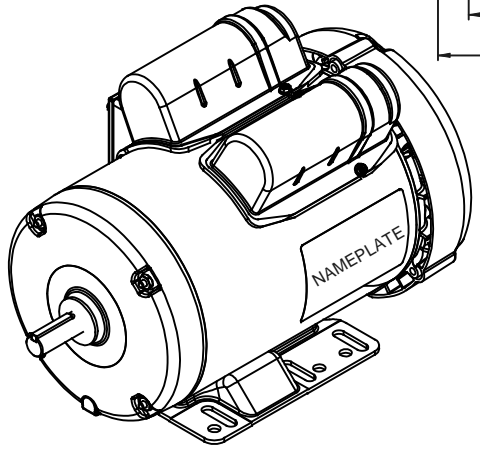
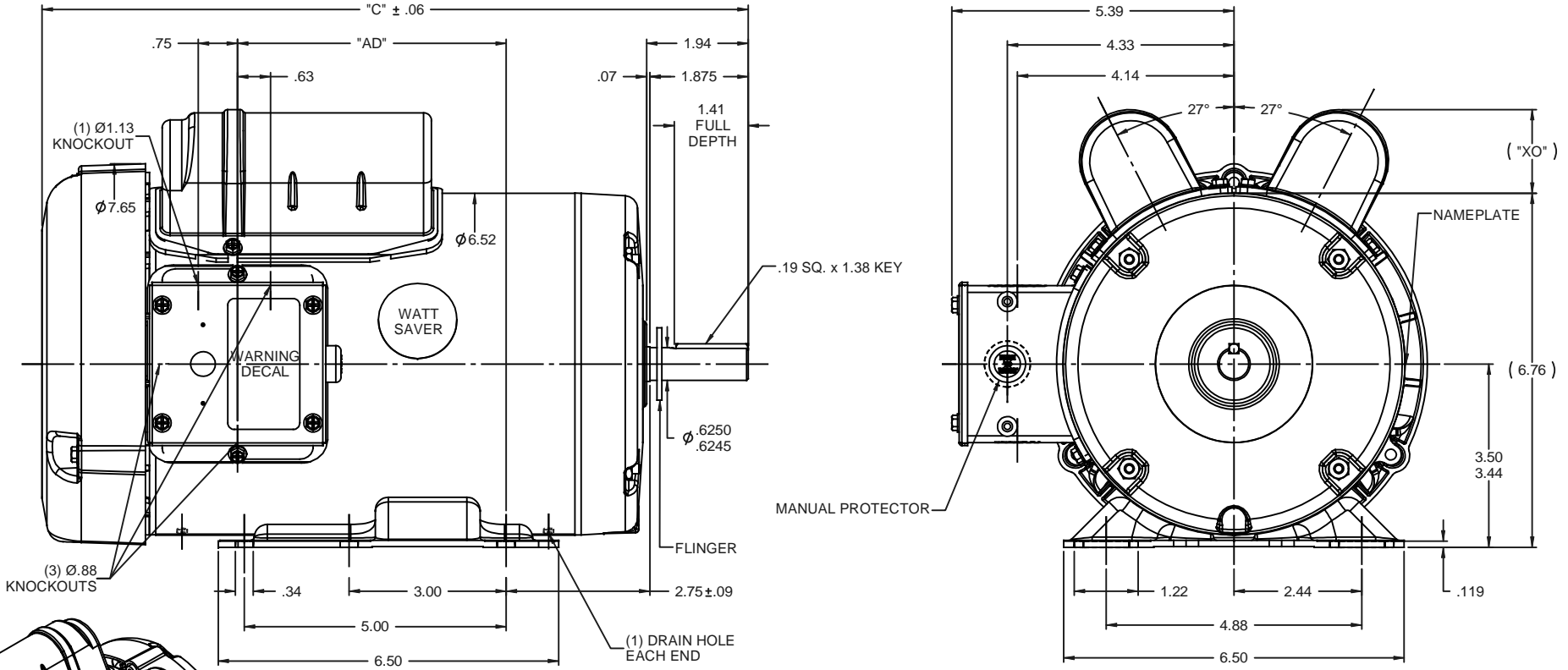


Nameplate Specifications

Output HP	1.50 Hp	Output KW	1.1 kW
Frequency	60 Hz	Voltage	115/208-230 V
Current	13.0/6.5 A	Speed	1725 rpm
Service Factor	1.15	Phase	1
Efficiency	84 %	Duty	Continuous
Insulation Class	B	Design Code	L
KVA Code	J	Frame	56H
Enclosure	Totally Enclosed Fan Cooled	Overload Protector	Manual
Ambient Temperature	40 °C	Drive End Bearing Size	6203
Opp Drive End Bearing Size	6203	UL	Recognized
CSA	Y	CE	N
IP Code	43		

Technical Specifications

Electrical Type	Capacitor Start Capacitor Run	Starting Method	Across The Line
Poles	4	Rotation	Selective Counterclockwise
Mounting	Rigid base	Motor Orientation	HORIZONTAL
Drive End Bearing	BALL	Opp Drive End Bearing	BALL
Frame Material	Rolled Steel	Shaft Type	NEMA 56
Overall Length	13.49 in	Frame Length	8.00 in
Shaft Diameter	0.625 in	Shaft Extension	1.88 in
Assembly/Box Mounting	F1 ONLY		
Outline Drawing	028930-800C	Connection Diagram	005053.02

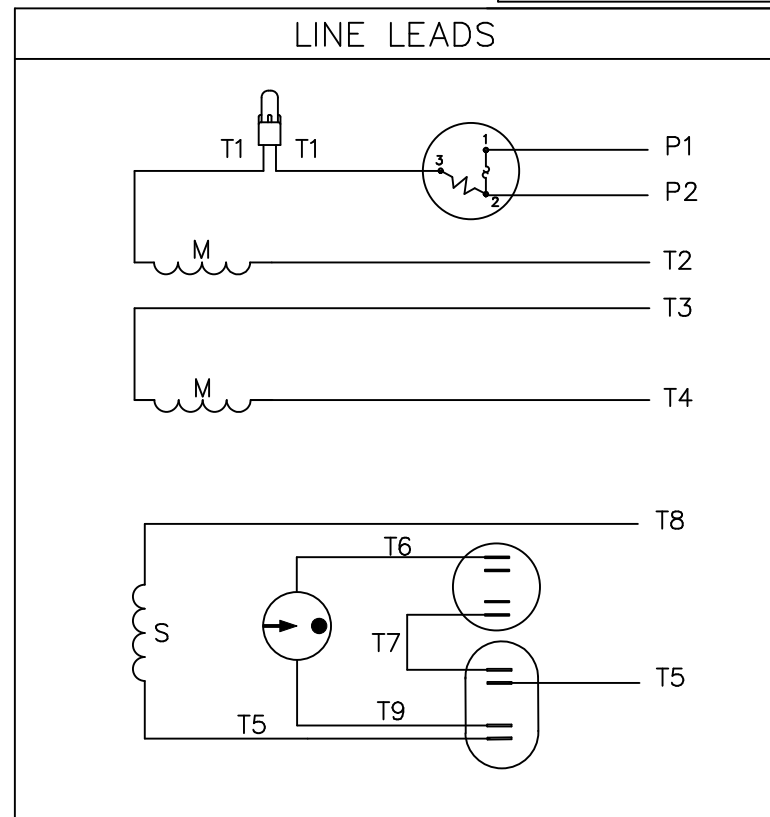
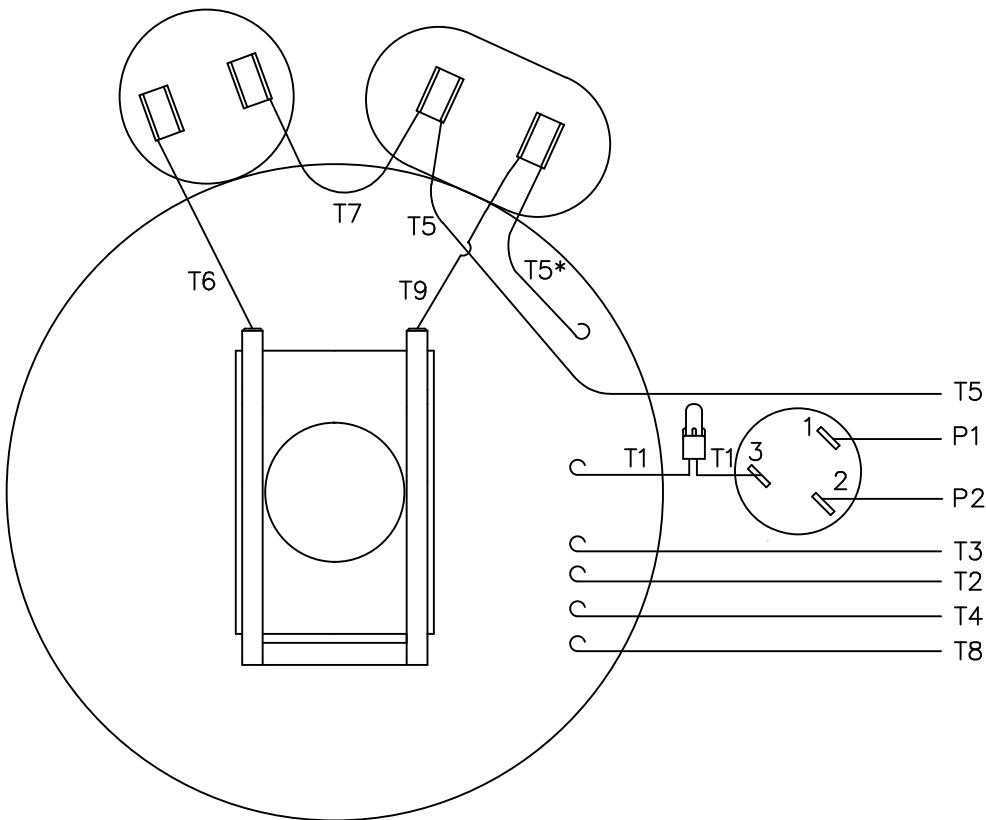


DASH NO.	"C"	"AD"	CAP DASH	"XO"
700	12.49	4.13	A	1.15
750	12.99	4.63	B	1.60
800	13.49	5.13	C	1.82
850	13.99	5.63		

SPECIAL FEATURES:
 1) GASKETS THROUGHOUT.
 2) FLINGER ON SHAFT
 3) MANUAL PROTECTOR

		TOLERANCES UNLESS SPECIFIED		ELECTRIC MOTORS GEARMOTORS AND DRIVES	DRAWN GRB 12/16/08
		DEC	INCHES		CHK DJ 12/16/08
		x	±.1		APPR DJ 12/16/08
		.xx	±.03		SCALE 1:2
		.xxx	±.005	TITLE OUTLINE - 56H FRAME	REF 033977
		.xxxX	±.0005	TEFC - RIGID	REF 113769.00
				MATL FARM DUTY	PAGE 1 OF 1
NO	REVISION	BY & DATE	CHK ANG ±1/2°	FINISH	
			RFP 12/16/08	PREV	SIZE B
			THIRD ANGLE PROJECTION	NETWORK FILE NAME	DRAWING NO 028930
					REV

VIEW FROM OUTSIDE OF MOTOR AT SWITCH END.



	ROTATION FACING LEAD END	L1	L2	JOIN	INSULATE SEPARATELY
HIGH VOLT	C.C.W.	P1	T4 T5	T2,T3 T8	P2
	C.W.	P1	T4 T8	T2,T3 T5	P2
LOW VOLT	C.C.W.	P1	T2,T4 T5	P2,T3 T8	-----
	C.W.	P1	T2,T4 T8	P2,T3 T5	-----

* THIS LEAD MAY BE WHITE

		TOLERANCES UNLESS SPECIFIED	
		DEC.	INCHES
		.X	±.1
		.XX	±.01
04	ADDED "*" TO T5	RLW 7/22/02	.XXX ±.005
03	REDRAWN ON CAD	DBT 05/27/97	.XXXX ±.0005
NO.	REVISION	BY & DATE	CHK ANG ±1/2"

REGAL-BELOIT *Motor Technologies Group*

TITLE: EXTERNAL WIRING DIAGRAM
TYPE "K" W/PROTECTOR

DRAWN	ADH 06/16/76
CHK	WRK 06/30/76
APPD	
SCALE	1=1
REF	
FMF	6K17FB8A
PREV	

RFP	CAD FILE	00505302	SIZE	DRAWING NO.	REV.
DIST			A	005053-02	04

