



A Regal Brand

Catalog # : E100603.00
Product Type: AC MOTOR
Description:

Model: E100603.00
Stock: Y

Quote: Price:

Date: 01/18/2019



A Regal Brand

Catalog # : E100603.00
 Product Type: AC MOTOR
 Description:

Model: E100603.00
 Stock: Y

Engineering Data

Volts	115	Volts	230	Volts	
F.L. Amps	7.2	F.L. Amps	3.6	F.L. Amps	
S. F Amps	8.8	S. F Amps	4.4	S. F Amps	

RPM	3600	Hertz	60	TYPE	KD
HP	3/4	Duty	CONTINUOUS		
KW	.56				
Frame	S56	Serv. Factor	1.25	Phase	1
Max Amb	40	Design	N	Code	K
Insul Class	B	Protection	AUTOMATIC	Therm.Prot.	CEJ67CV
Eff 100%	76.2	Eff 75%		PF	89.2
UL	Y-(LEESON UL REC)	CSA	Yes	Bearing OPE	6203
CC Number	EXEMPT	CE	Yes	Bearing PE	6203
Load Type		Inverter Type		Speed Range	NONE

Motor Wt.	28 LB	Enclosure	DP	Lubrication	MULTEMP SRL
Nameplate	92005-271	Mounting	RESILIENT BASE	Rotation	SELECTIVE CCW
Assembly		Shaft Dia.		Ext. Diag.	005053.40
Cust Part No		Outline	A-SS404125-750	Ext. Diag2	
Packaging	F	Outline Dash No		Winding	BE48278
Carton Label				GROUP :	3
Iris		Paint	GREEN - LEESON WATTS AVER	Test Card	

Form Factor		RMS Amps		Const Torque	Speed Range
Torque		Peak			
AB Code		Peak@DegC			
Resistance					
Connection					

Rework Status	Rework TYPE
---------------	-------------

Hazardous Loc
Explosion Proof
Class
Class

NONE

Temp Op Code
GROUP
GROUP

Brake Motors
FORCE
VDC
ADC

Brake Coil OHMs @25 C

Performance
Torque UOM
Torque
CURRENT (amps)
Efficiency (%)
PowerFactor

Inertia (WK²)

Load Curve Data @60 HzVolts,3/4Horsepower

Load	Amps	KW	RPM	Torque	Eff	PF	Rise By Resis	Frame Rise
0.0	1.36	0.115	3595	0.0	0.0	36.7	0.0	-
0.25	1.73	0.261	3575	4.55	55.2	65.8	0.0	-
0.5	2.26	0.412	3555	9.1	69.7	79.4	0.0	-
0.75	2.92	0.577	3535	13.65	74.1	86.0	0.0	-
1.0	3.6	0.742	3515	18.2	76.2	89.2	30.0	-
1.15	4.08	0.85	3500	20.93	76.6	90.2	0.0	-
1.25	4.4	0.92	3490	22.75	76.5	90.8	35.0	-
1.35	4.73	0.994	3480	24.57	76.3	91.2	0.0	-
1.5	5.22	1.1	3465	27.3	76.2	91.5	0.0	-

SOURCE: CALCULATED GROUP: 3

Load Curve Data @60HzVolts,3/4Horsepower

Load	Amps	KW	RPM	Torque	Eff	PF	Rise By Resis	Frame Rise
------	------	----	-----	--------	-----	----	---------------	------------

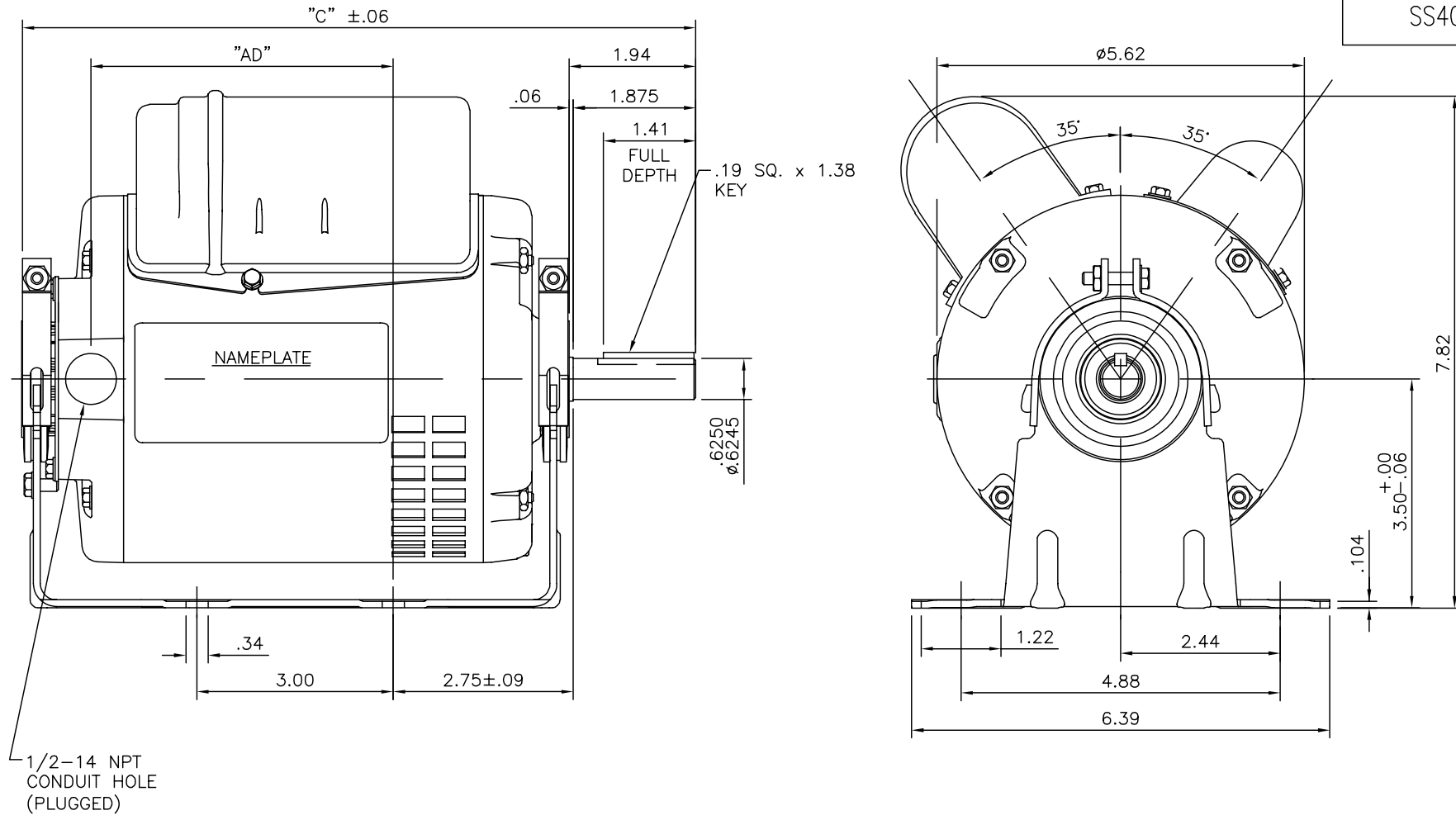
Load Curve Data Not Available

Quote: Price:


Date: 01/18/2019

Uncontrolled Copy

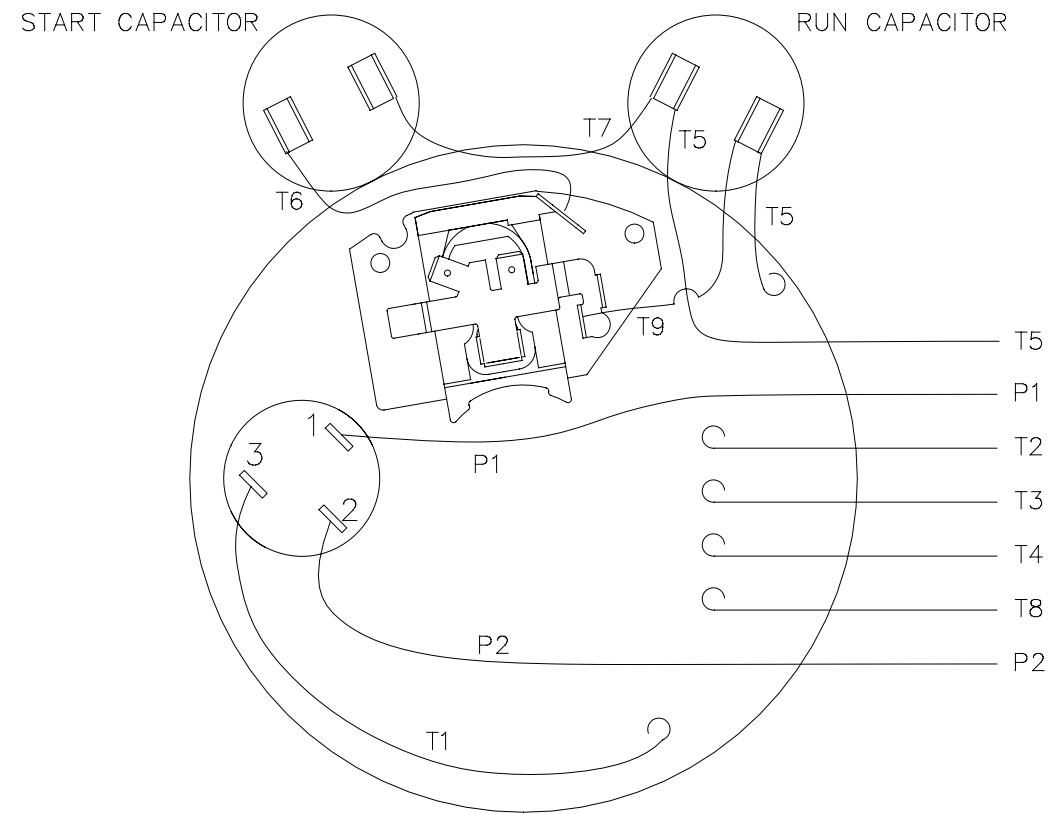
SS404125



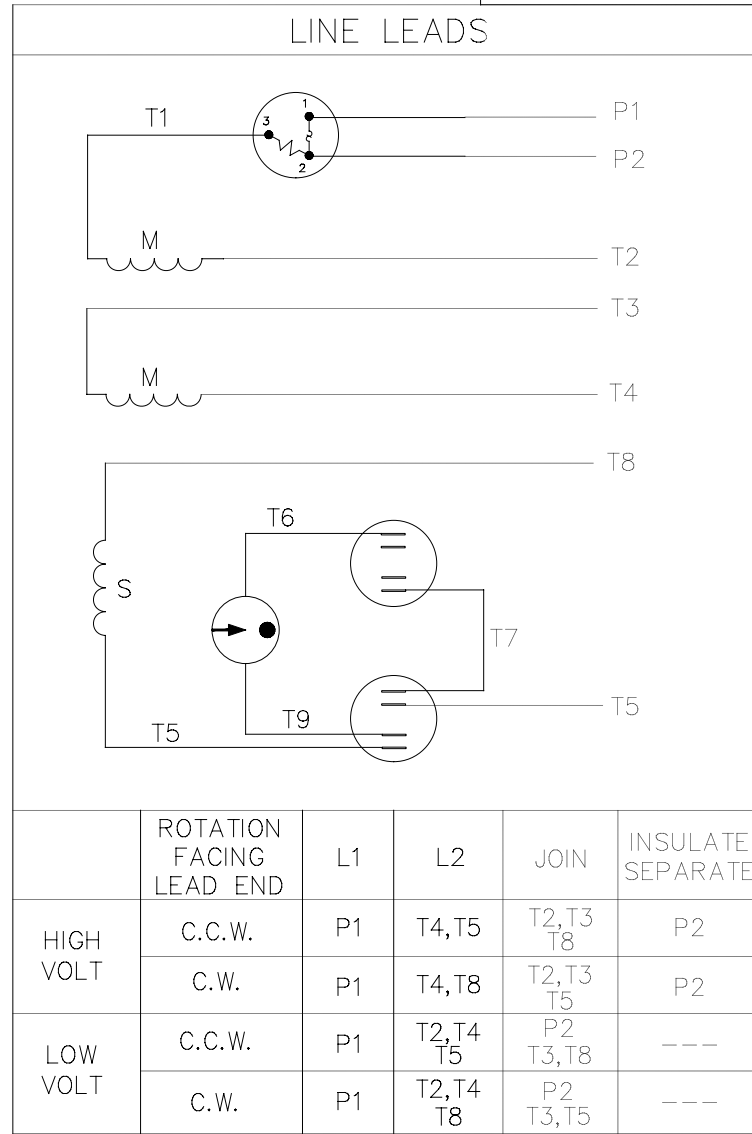
DASH NO.	"C"	"AD"
700	11.81	6.12
750	12.31	6.62

		TOLERANCES UNLESS SPECIFIED		 Regal Beloit America, Inc.	DRAWN PVR 12/19/14		
		DEC.	INCHES		CHK VS 12/19/14		
		.X	±.1		APPD		
		.XX	±.03		SCALE NTS		
		.XXX	±.005		REF 031623		
		.XXXX	±.0005	MAT'L.	FMF		
NO.	REVISION	BY & DATE	CHK	ANG	±7'30"	FINISH	PREV
THIS DRAWING IN DESIGN AND DETAIL IS OUR PROPERTY AND MUST NOT BE USED EXCEPT IN CONNECTION WITH OUR WORK ALL RIGHTS OF DESIGN AND INVENTION ARE RESERVED THIS IS AN ELECTRONICALLY GENERATED DOCUMENT - DO NOT SCALE THIS PRINT				RFP	CAD FILE SS404125	SIZE A	DRAWING NO. SS404125 PAGE 1 OF 1 REV.
				DIST	WP		


005053-40



VIEW FROM OUTSIDE OF MOTOR AT SWITCH END



	ROTATION FACING LEAD END	L1	L2	JOIN	INSULATE SEPARATE
HIGH VOLT	C.C.W.	P1	T4, T5	T2, T3 T8	P2
	C.W.	P1	T4, T8	T2, T3 T5	P2
LOW VOLT	C.C.W.	P1	T2, T4 T5	P2 T3, T8	---
	C.W.	P1	T2, T4 T8	P2 T3, T5	---

		TOLERANCES UNLESS SPECIFIED		 Regal Beloit America, Inc.		DRAWN PG 7/2/02	
		DEC.	INCHES			CHK	
		.X	±.1			APPD	
		.XX	±.01			SCALE 5=8	
		.XXX	±.005	TITLE EXTERNAL WIRING DIAGRAM TYPE "K" W/PROTECTOR		REF 005053.01	
A	CHANGED LOGO TO REGAL	PST 2/1/16	SKM .XXXX	±.0005	MAT'L. DUAL VOLTAGE - DUAL ROTATION		FMF 102827.00
NO.	REVISION	BY & DATE	CHK	ANG ±1/2'	FINISH		PREV
THIS DRAWING IN DESIGN AND DETAIL IS OUR PROPERTY AND MUST NOT BE USED EXCEPT IN CONNECTION WITH OUR WORK ALL RIGHTS OF DESIGN AND INVENTION ARE RESERVED THIS IS AN ELECTRONICALLY GENERATED DOCUMENT - DO NOT SCALE THIS PRINT			RFP	CAD FILE 00505340		SIZE A	DRAWING NO. 005053-40
			DIST			REV. A	