

# PRODUCT INFORMATION PACKET



Model No: C6C34WK18A  
Catalog No: 191474.00  
..1/2HP..3600RPM.56.TEFC./V.1PH.60HZ..40C..RIGID C.....NOT.....  
Paint Free



Regal and Leeson are trademarks of Regal Beloit Corporation or one of its affiliated companies.  
©2018 Regal Beloit Corporation, All Rights Reserved. MC017097E



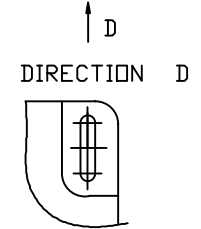
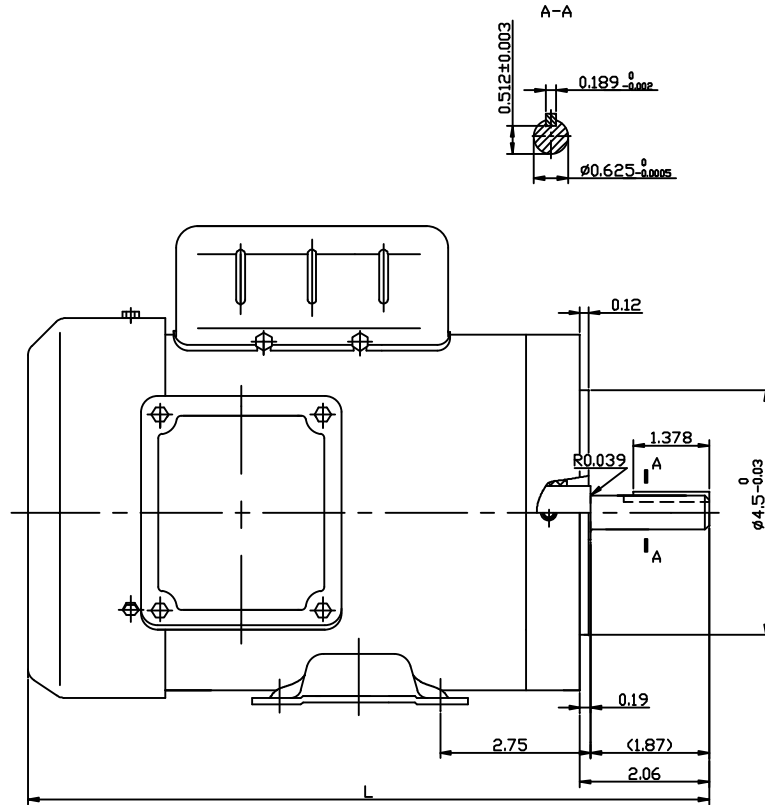
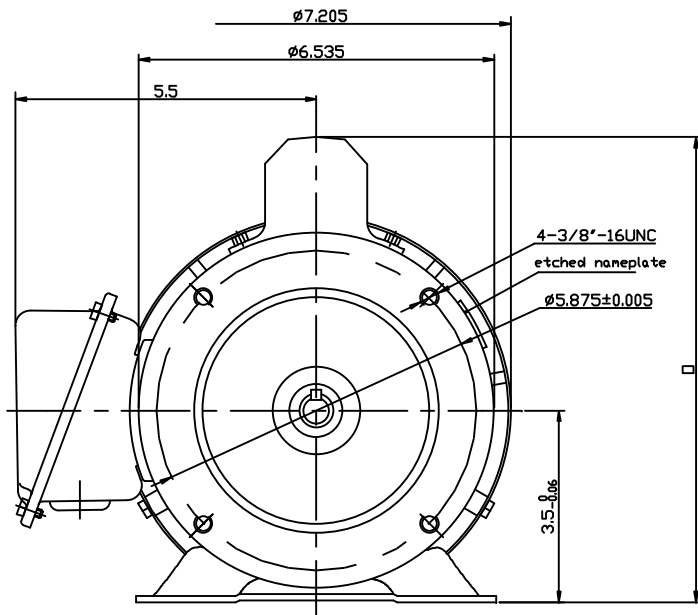


### Nameplate Specifications

Output HP	<b>0.50 Hp</b>	Output KW	<b>0.37 kW</b>
Frequency	<b>60 Hz</b>	Voltage	<b>115/230 V</b>
Current	<b>7.4/3.7 A</b>	Speed	<b>3450 rpm</b>
Service Factor	<b>1.15</b>	Phase	<b>1</b>
Efficiency	<b>62 %</b>	Duty	<b>Continuous</b>
Insulation Class	<b>F</b>	Design Code	<b>N</b>
KVA Code	<b>K</b>	Frame	<b>56C</b>
Enclosure	<b>Totally Enclosed Fan Cooled</b>	Overload Protector	<b>No</b>
Ambient Temperature	<b>40 °C</b>	Drive End Bearing Size	<b>6203</b>
Opp Drive End Bearing Size	<b>6203</b>	UL	<b>Recognized</b>
CSA	<b>Y</b>	CE	<b>Y</b>
IP Code	<b>55</b>		

### Technical Specifications

Electrical Type	<b>Capacitor Start Induction Run</b>	Starting Method	<b>Across The Line</b>
Poles	<b>2</b>	Rotation	<b>Selective Counterclockwise</b>
Mounting	<b>Rigid base</b>	Motor Orientation	<b>HORIZONTAL</b>
Drive End Bearing	<b>BALL</b>	Opp Drive End Bearing	<b>BALL</b>
Frame Material	<b>Stainless Steel</b>	Shaft Type	<b>T</b>
Overall Length	<b>12.24 in</b>	Frame Length	<b>5.16 in</b>
Shaft Diameter	<b>0.625 in</b>	Shaft Extension	<b>1.88 in</b>
Assembly/Box Mounting	<b>F1 ONLY</b>		
Outline Drawing	<b>16999700</b>	Connection Diagram	<b>005005.01</b>



LSC NUMBER	CATA. NO.	HP	L	D	VOLT	Hz	POLE	FRAME	ENCLOSURE
N/A	191475.00	1/2	11.1	8.46	115/230	60	4P	56C	TEFC
	191477.00	3/4	11.73	8.86					
	191479.00	1	12.24	9.09					

				TOLERANCES UNLESS OTHERWISE SPECIFIED		191475,191477,191479 OUTLINE	
				DEC.	INCHES	METRIC	
				.X	±.1	±25	DRAWN
				.XX	±.03	±.76	APPR.
				.XXX	±.005	±0.127	R.F.P.
				NO.	REVISION	BY & DATE	CHK'D.
				THIS DRAWING IN DESIGN AND DETAIL IS OUR PROPERTY AND MUST NOT BE USED EXCEPT IN CONNECTION WITH OUR WORK ALL RIGHTS OF DESIGN AND INVENTION ARE RESERVED THIS IS AN ELECTRONICALLY GENERATED DOCUMENT - DO NOT SCALE THIS PRINT		FRACTIONS	±1/84
						ANGLES	±1/2°
						REF.	FIMF
						FINISH	10.09.2012
						REV.	DRAWING NO.

VIEW FROM OUTSIDE OF MOTOR AT SWITCH END.



LINE LEADS



RBC PROPRIETARY AND CONFIDENTIAL INFORMATION  
 This document is the property of REGAL BELOIT CORPORATION ("RBC") including its subsidiaries and divisions and contains proprietary information of RBC. This document is loaned on the express condition that neither it nor the information contained therein shall be disclosed to others without the express written consent of RBC, and that the information shall be used by the recipient only as approved expressly by RBC. This document shall be returned to RBC upon its request. This document may be subject to certain restrictions under U.S. export control laws and regulations.

	ROTATION FACING LEAD END	L1	L2	JOIN
HIGH VOLT	C.C.W.	T1	T4, T5	T2, T3, T8
	C.W.	T1	T4, T8	T2, T3, T5
LOW VOLT	C.C.W.	T1, T3, T8	T2, T4, T5	-----
	C.W.	T1, T3, T5	T2, T4, T8	-----

--	REDRAWN IN SOLIDWORKS	VJB 02/16/11	TOLERANCES UNLESS SPECIFIED		<b>LEESON</b>	ELECTRIC MOTORS GEARMOTORS AND DRIVES	DRAWN ADH 08/06/73
27	UPDATED TO CURRENT STANDARDS	DBT 05/27/97	DEC	INCHES			CHK
26	ADDED PAGE 32 (114787) & PAGE 33 (114788)	KAZ 12/20/95	PG	.X ±.1	TITLE EXTERNAL WIRING DIAGRAM TYPE "C" W/O PROTECTOR		APPR JCW 03/09/79
25	ADDED PAGE 31	KAZ 04/19/95	DL	.XX ±.01			SCALE 1:1
24	ADDED PAGES 29 & 30	KMM 03/30/95	DL	.XXX ±.005	MAT'L DECAL - 004012		REF FIG 2-23 C4A
23	ADDED PAGE 28	KMM 01/27/95		.XXX ±.0005			FMF MGI-2.4B
NO	REVISION	BY & DATE	CHK	ANG ±1/2°	FINISH	PAGE	OF
THIRD ANGLE PROJECTION			RFP	PREV	SIZE	DRAWING NO	
			NETWORK FILE NAME 00500501		<b>A</b>	<b>005005-01</b>	
							REV
							--