

# PRODUCT INFORMATION PACKET



Model No: C143C34FB6G

Catalog No: 120997.00

2HP..3450RPM.143.TEFC.115/230V.1PH.60HZ.SAW.NOT.40C.1.0SF.ROUND.WOODWORKING.C143C34F  
B6G

Other Purpose



Regal and Leeson are trademarks of Regal Beloit Corporation or one of its affiliated companies.

©2018 Regal Beloit Corporation, All Rights Reserved. MC017097E





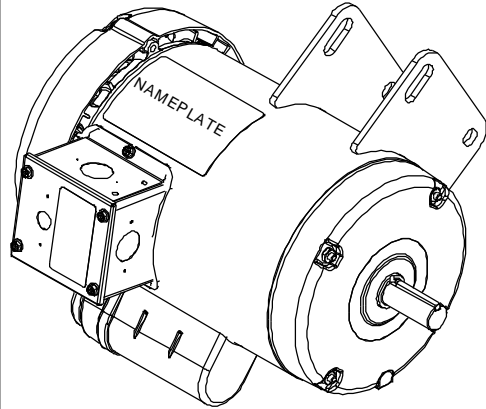
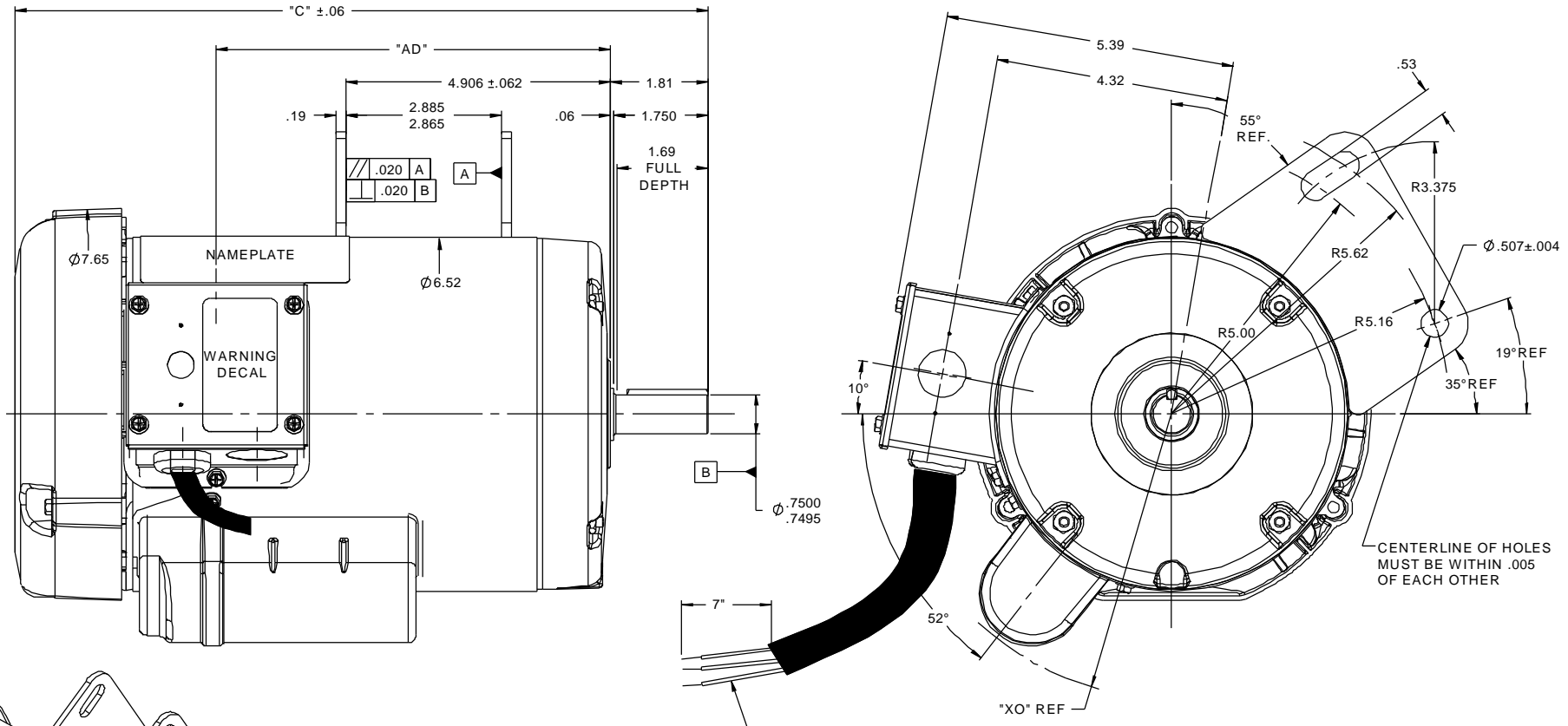
### Nameplate Specifications

Output HP	2 Hp	Output KW	1.5 kW
Frequency	60 Hz	Voltage	115/230 V
Current	22.0/11.0 A	Speed	3450 rpm
Service Factor	1	Phase	1
Efficiency	71 %	Duty	Saw
Insulation Class	B	Design Code	L
KVA Code	J	Frame	143Y
Enclosure	Totally Enclosed Fan Cooled	Overload Protector	No
Ambient Temperature	40 °C	Drive End Bearing Size	6205
Opp Drive End Bearing Size	6203	UL	Recognized
CSA	Y	CE	N
IP Code	43		

### Technical Specifications

Electrical Type	Capacitor Start Induction Run	Starting Method	Across The Line
Poles	2	Rotation	Fixed Counterclockwise
Mounting	Round	Motor Orientation	HORIZONTAL
Drive End Bearing	BALL	Opp Drive End Bearing	BALL
Frame Material	Rolled Steel	Shaft Type	Single Special Extension
Overall Length	12.86 in	Frame Length	7.50 in
Shaft Diameter	0.750 in	Shaft Extension	1.75 in
Assembly/Box Mounting	F1 ONLY		
Outline Drawing	028924-750B	Connection Diagram	005062.01

RBC PROPRIETARY AND CONFIDENTIAL INFORMATION  
 This document is the property of REGAL BELOIT CORPORATION ("RBC") including its subsidiaries and divisions and contains proprietary information of RBC. This document is loaned on the express condition that neither it nor the information contained therein shall be disclosed to others without the express written consent of RBC, and that the information shall be used by the recipient only as approved expressly by RBC. This document shall be returned to RBC upon its request. This document may be subject to certain restrictions under U.S. export control laws and regulations.



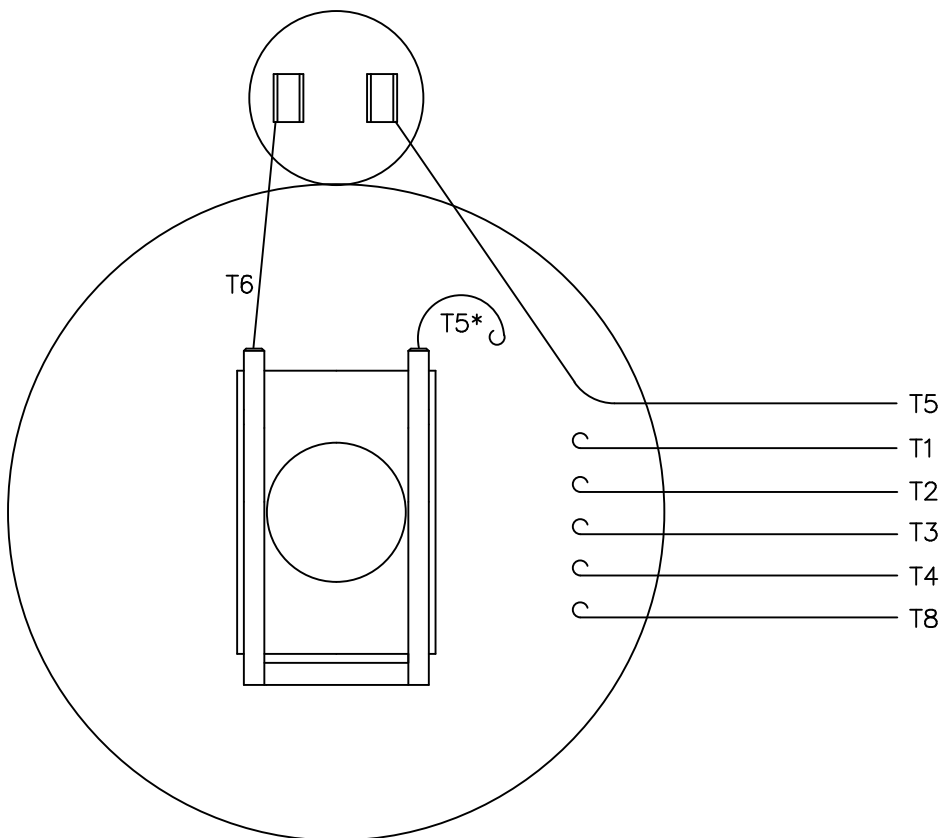
DASH NO.	"C"	"AD"	CAP DASH.	"XO"
700	12.36	6.74	A	5.17
750	12.86	7.24	B	5.55
			C	5.81

#14-3 TYPE SJOW/SJOOW  
 300 VOLT CORD  
 50" LONG MIN

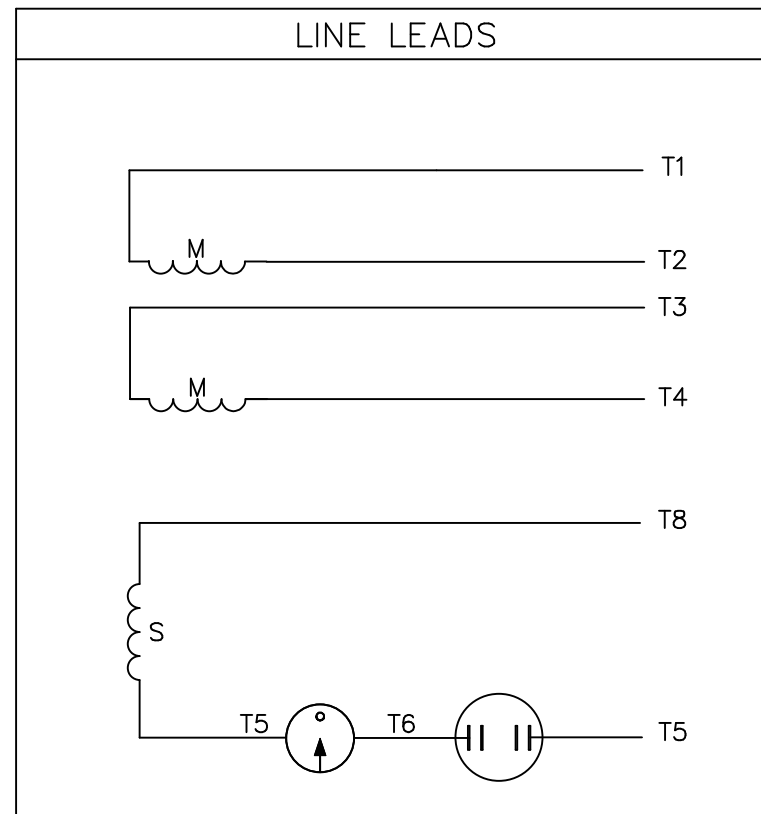
NOTES:  
 GASKETS THROUGHOUT

TOLERANCES UNLESS SPECIFIED		DEC INCHES		TITLE	ELECTRIC MOTORS GEARMOTORS AND DRIVES	DRAWN GRB 12/08/08
	X	±.1		OUTLINE - 140Y FRAME TEFC - SPECIAL MOUNT	LEESON	CHK DJ 12/08/08
	XX	±.03				APPR DJ 12/08/08
	XXX	±.005				SCALE 1:2
01	DIMENSIONED BASE HOLE ECR 0041996	GS	8/26/13	XXXX ±.0005	MAT'L CONTRACTOR'S SAW	REF 028635
				FINISH		FMF 120925.00
				±.730"		PAGE 1 OF 1
NO	REVISION	BY & DATE	CHK	ANG	PREV	REV
THIRD ANGLE PROJECTION				RFP 12/08/08		SIZE B
				NETWORK FILE NAME 028924		DRAWING NO 028924
						REV 01

VIEW FROM OUTSIDE OF MOTOR AT SWITCH END.



\* THIS LEAD MAY BE WHITE



	ROTATION FACING LEAD END	L1	L2	JOIN
HIGH VOLT	C.C.W.	T1	T4 T5	T2,T3 T8
	C.W.	T1	T4 T8	T2,T3 T5
LOW VOLT	C.C.W.	T1,T3 T8	T2,T4 T5	---
	C.W.	T1,T3 T5	T2,T4 T8	---

		TOLERANCES UNLESS SPECIFIED	
		DEC.	INCHES
		.X	±.1
12	ALTERNATE T5 LEAD MARKING WAS RED	RLW 8/6/02	.XX ±.01
11	ADDED ALTERNATE T5 LEAD MARKING	RLW 5/31/02 KH	.XXX ±.005
10	UPDATED TO CURRENT STANDARDS	DBT 06/09/97	.XXXX ±.0005
NO.	REVISION	BY & DATE	CHK ANG ±1/2"

<b>LEESON</b>	ELECTRIC MOTORS GEARMOTORS AND DRIVES	DRAWN JRW 12/05/74
		CHK
TITLE EXT. WIRING DIAGRAM TYPE "C" W/O PROTECTOR		APPD T.E.M.
		SCALE 1=1
MAT'L. DECAL - 004012		REF A-005061
		FMF
FINISH		PREV
THIS DRAWING IN DESIGN AND DETAIL IS OUR PROPERTY AND MUST NOT BE USED EXCEPT IN CONNECTION WITH OUR WORK ALL RIGHTS OF DESIGN AND INVENTION ARE RESERVED THIS IS AN ELECTRONICALLY GENERATED DOCUMENT - DO NOT SCALE THIS PRINT		
RFP		CAD FILE 00506201
DIST NLV		SIZE A
		DRAWING NO. 005062-01
		REV. 12

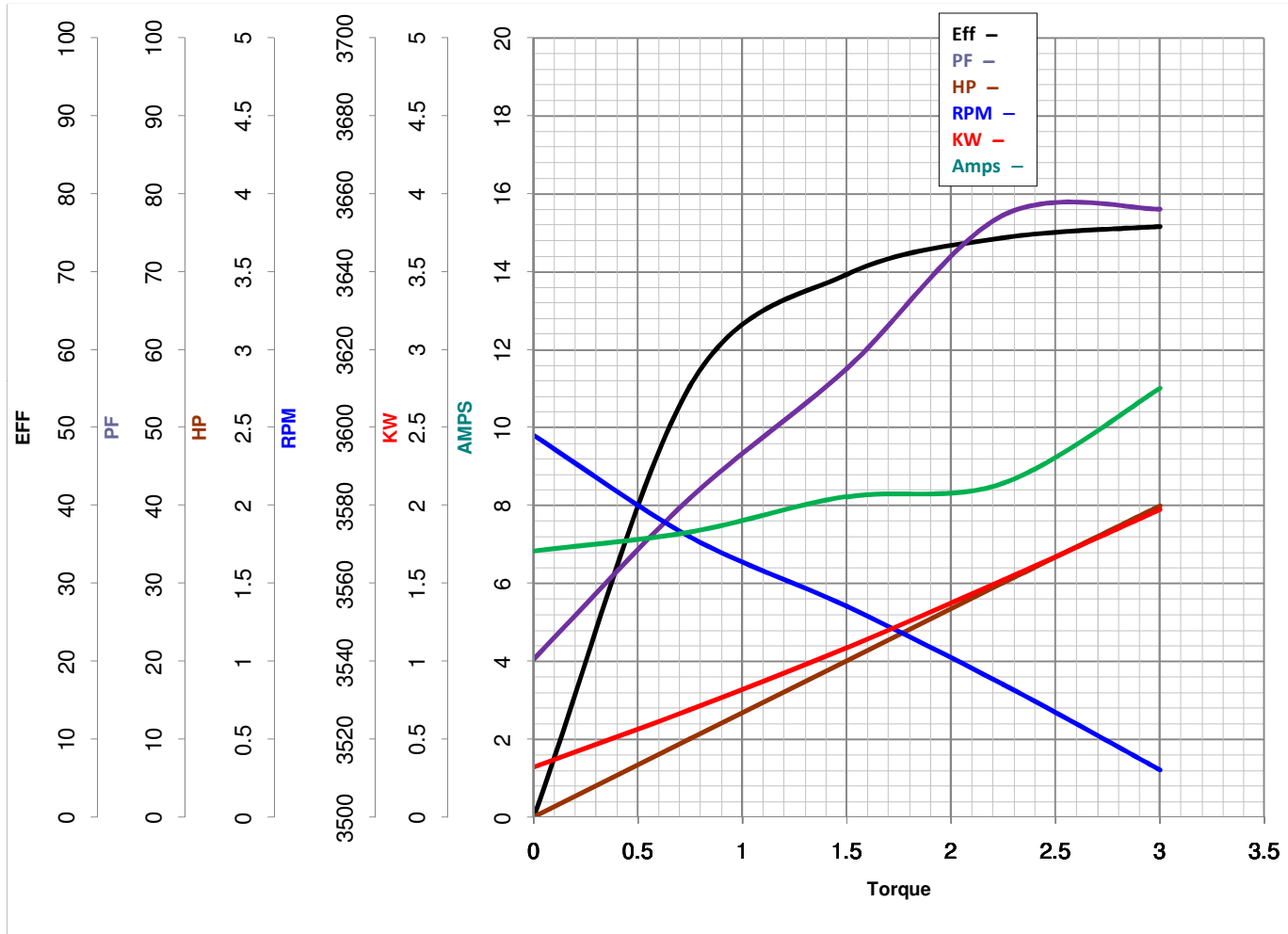


**LEESON ELECTRIC CORPORATION**  
TYPICAL PERFORMANCE CURVE for AC MOTOR

Model No 120997.00

Catalog No 120997.00

Curve at 230 Volts      HP 2.00      PHASE 1  
60 HZ  
2 HP      VOLTS 115/230  
HZ 60      RPM 3450



Torque in Lb.Ft

FL TORQUE 3 Lb.Ft  
 BD TORQUE 8.8 Lb.Ft  
 LR TORQUE 6.6 Lb.Ft

FL AMPS 22/11  
 PU TORQUE 6.0 Lb.Ft  
 LR AMPS 69

WINDING C632244-3

Date 4/9/2018