

PRODUCT INFORMATION PACKET



Model No: M6K17FC1L

Catalog No: 110042.00

1.5HP..1725RPM.56.TEFC.115/208-230V.1PH.60HZ.CONT.MANUAL.40C.1SF.C FACE.GENERAL
PURPOSE.M6K17FC1L

Totally Enclosed Fan Cooled (TEFC)



Regal and Leeson are trademarks of Regal Beloit Corporation or one of its affiliated companies.

©2018 Regal Beloit Corporation, All Rights Reserved. MC017097E





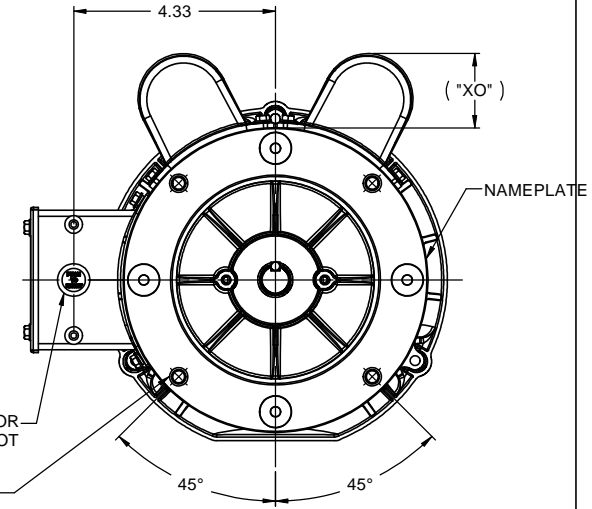
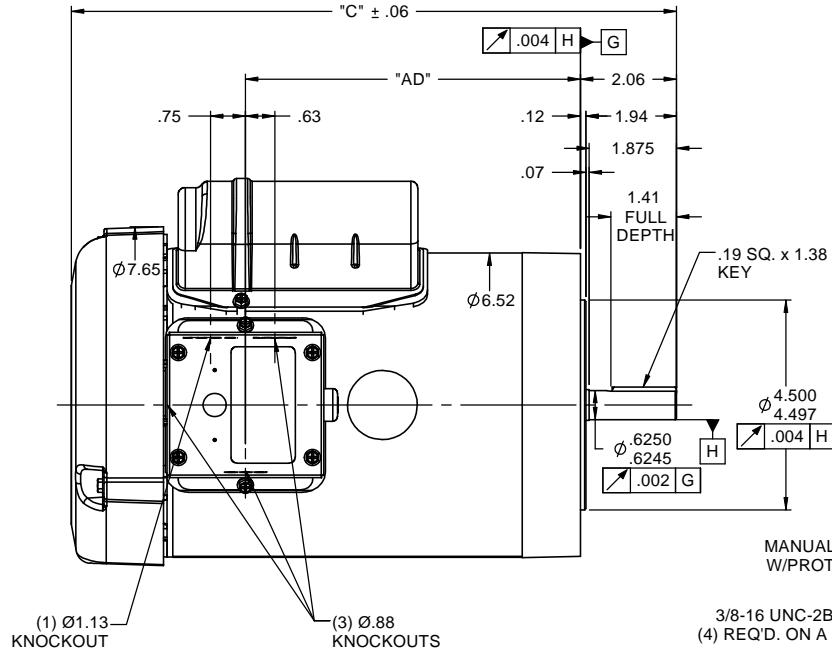
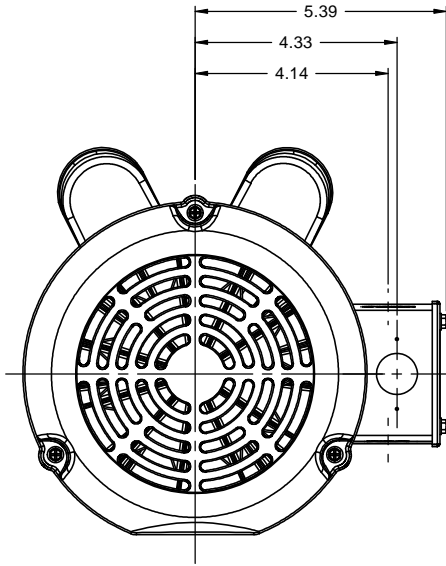
Nameplate Specifications

Output HP	1.50 Hp	Output KW	1.1 kW
Frequency	60 Hz	Voltage	115/208-230 V
Current	17.2/8.8-8.6 A	Speed	1725 rpm
Service Factor	1	Phase	1
Efficiency	79 %	Duty	Continuous
Insulation Class	B	Design Code	L
KVA Code	J	Frame	56C
Enclosure	Totally Enclosed Fan Cooled	Overload Protector	Manual
Ambient Temperature	40 °C	Drive End Bearing Size	6203
Opp Drive End Bearing Size	6203	UL	Recognized
CSA	Y	CE	N
IP Code	43		

Technical Specifications

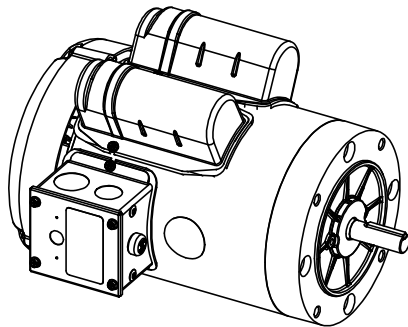
Electrical Type	Capacitor Start Capacitor Run	Starting Method	Across The Line
Poles	4	Rotation	Selective Counterclockwise
Mounting	Round	Motor Orientation	HORIZONTAL
Drive End Bearing	BALL	Opp Drive End Bearing	BALL
Frame Material	Rolled Steel	Shaft Type	NEMA 56
Overall Length	12.99 in	Frame Length	7.50 in
Shaft Diameter	0.625 in	Shaft Extension	1.88 in
Assembly/Box Mounting	F1 ONLY		
Outline Drawing	028806-750B	Connection Diagram	005053.02

RBC PROPRIETARY AND CONFIDENTIAL INFORMATION
 This document is the property of REGAL BELOIT CORPORATION ("RBC") including its subsidiaries and divisions and contains proprietary information of RBC. This document is loaned on the express condition that neither it nor the information contained therein shall be disclosed to others without the express written consent of RBC, and that the information shall be used by the recipient only as approved expressly by RBC. This document shall be returned to RBC upon its request. This document may be subject to certain restrictions under U.S. export control laws and regulations.



(1) Ø1.13 KNOCKOUT
 (3) Ø.88 KNOCKOUTS

MANUAL PROTECTOR W/PROTECTOR BOOT
 3/8-16 UNC-2B x .56 DEEP
 (4) REQ'D. ON A Ø5.875 B.C.

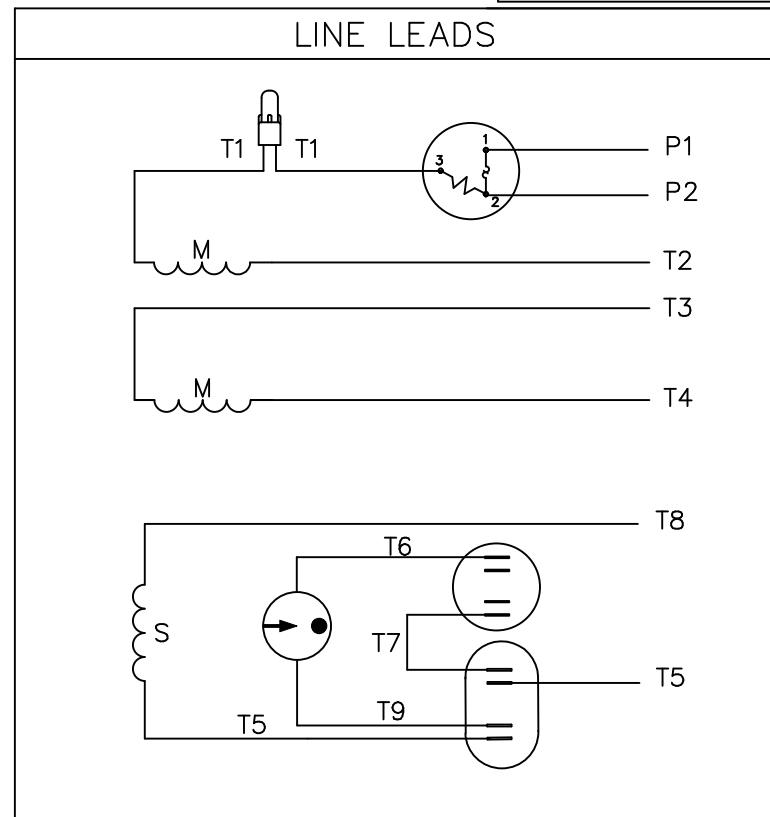
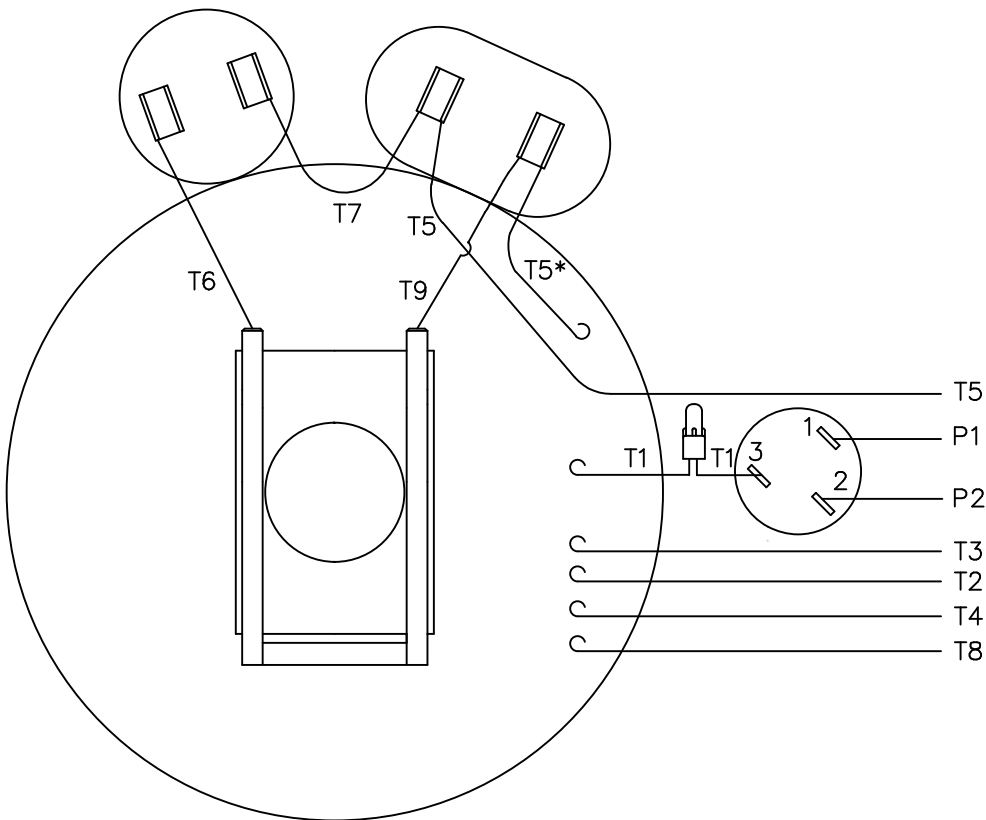


DASH NO.	"C"	"AD"	CAP DASH	"XO"
700	12.49	6.69	A	1.15
750	12.99	7.19	B	1.60
800	13.49	7.69	C	1.82
850	13.99	8.19		

NOTES:
 1) GASKETS THROUGHOUT

TOLERANCES UNLESS SPECIFIED		LEESON	ELECTRIC MOTORS GEARMOTORS AND DRIVES	DRAWN KMM 10/11/07
DEC	INCHES			
X	±.1			APPR
XX	±.03		TITLE OUTLINE - 56C FRAME	SCALE 3:8
XXX	±.005		TEFC - "C" FACE	REF OL110042.00
XXXX	±.0005		MATL	FMF 110042.00
NO	REVISION	BY & DATE	FINISH	PAGE OF
	THIRD ANGLE PROJECTION		PREV	SIZE B
			NETWORK FILE NAME	DRAWING NO 028806
				REV

VIEW FROM OUTSIDE OF MOTOR AT SWITCH END.



	ROTATION FACING LEAD END	L1	L2	JOIN	INSULATE SEPARATELY
HIGH VOLT	C.C.W.	P1	T4 T5	T2,T3 T8	P2
	C.W.	P1	T4 T8	T2,T3 T5	P2
LOW VOLT	C.C.W.	P1	T2,T4 T5	P2,T3 T8	-----
	C.W.	P1	T2,T4 T8	P2,T3 T5	-----

* THIS LEAD MAY BE WHITE

		TOLERANCES UNLESS SPECIFIED	
		DEC.	INCHES
		.X	±.1
		.XX	±.01
04	ADDED "*" TO T5	RLW 7/22/02	.XXX ±.005
03	REDRAWN ON CAD	DBT 05/27/97	.XXXX ±.0005
NO.	REVISION	BY & DATE	CHK ANG ±1/2"

REGAL-BELOIT *Motor Technologies Group*

REGAL-BELOIT Motor Technologies Group

TITLE: EXTERNAL WIRING DIAGRAM TYPE "K" W/PROTECTOR

MAT'L: DECAL 004011

FINISH: _____

DRAWN: ADH 06/16/76
CHK: WRK 06/30/76
APPD: _____
SCALE: 1=1
REF: _____
FMF: 6K17FB8A
PREV: _____

THIS DRAWING IN DESIGN AND DETAIL IS OUR PROPERTY AND MUST NOT BE USED EXCEPT IN CONNECTION WITH OUR WORK ALL RIGHTS OF DESIGN AND INVENTION ARE RESERVED THIS IS AN ELECTRONICALLY GENERATED DOCUMENT - DO NOT SCALE THIS PRINT		RFP	CAD FILE	00505302	SIZE	DRAWING NO.	REV.
		DIST			A	005053-02	04

